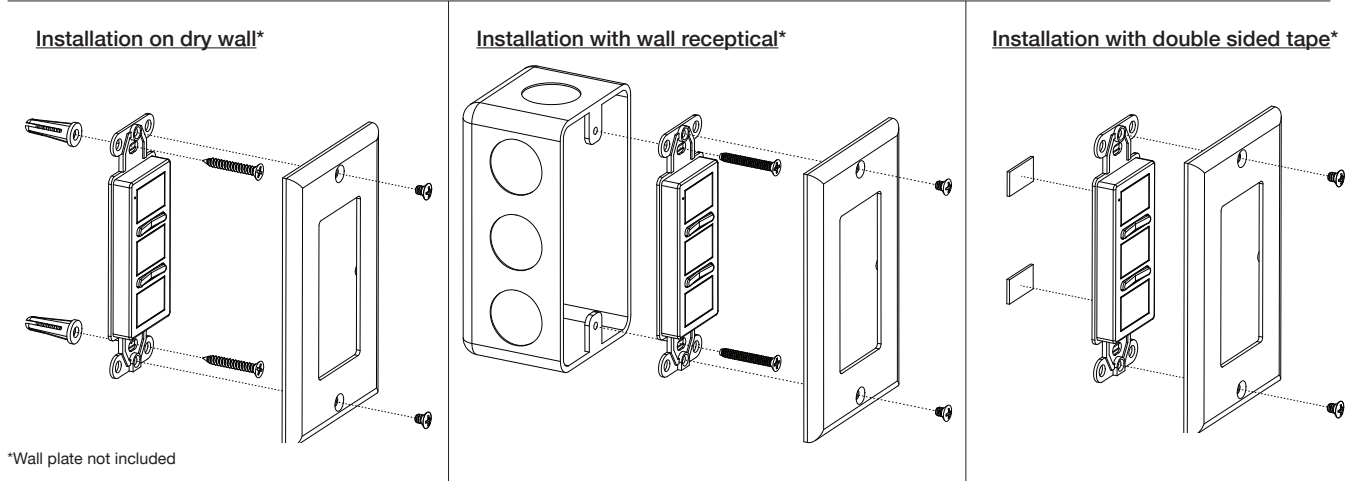
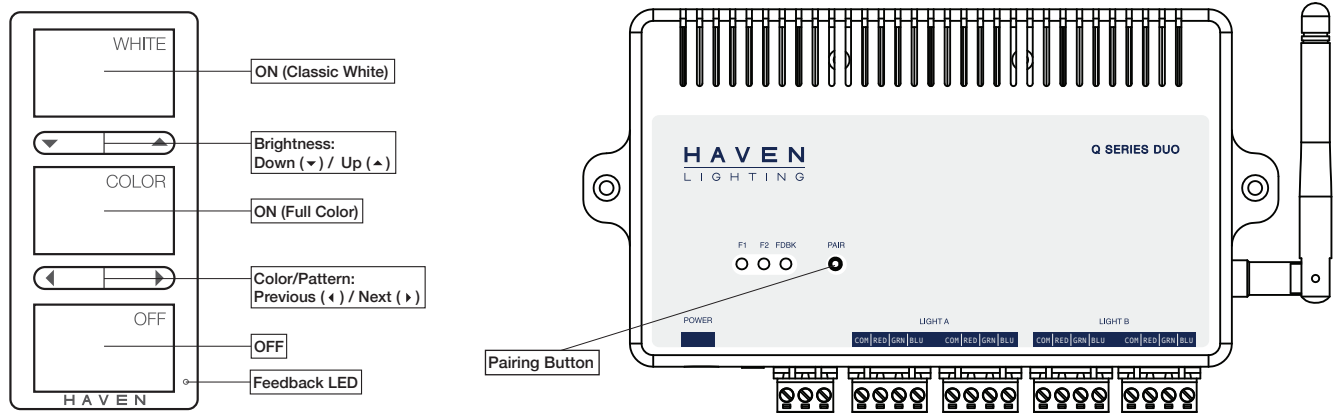


### Mounting Options

The light switch should be mounted indoors in a clean and dry environment. Do not install switch on a metal junction box. It will greatly reduce signal range.



### Pairing and Setup



Tap the pairing button on the controller to pair a switch or change other settings. The controller will turn off both lights and the green status LED will turn off. Now that you are in pairing mode you can execute the following commands:

PAIRING MODE COMMANDS - Q SERIES DUO	
ON + OFF (hold 5 seconds)	Pair switch to both lights (A + B)
ON + BRIGHTNESS DOWN (▼) (hold 5 seconds)	Pair switch to Light A
ON + BRIGHTNESS UP (▲) (hold 5 seconds)	Pair switch to Light B
OFF + BRIGHTNESS DOWN (▼) (hold 5 seconds)	Sync Pair
OFF + BRIGHTNESS UP (▲) (hold 5 seconds)	Unpair switch from controller
BRIGHTNESS UP (▲) or BRIGHTNESS DOWN (▼)	Controller will indicate wireless signal strength

PAIRING MODE COMMANDS - Q SERIES MINI	
ON + OFF (hold 5 seconds)	Pair switch to both lights (A + B)
OFF + BRIGHTNESS DOWN (▼) (hold 5 seconds)	Sync Pair
OFF + BRIGHTNESS UP (▲) (hold 5 seconds)	Unpair switch from controller
BRIGHTNESS UP (▲) or BRIGHTNESS DOWN (▼)	Controller will indicate wireless signal strength

# Wireless Wall Switch Operations Guide

## Brightness settings:

Each color/pattern has a default brightness level. You can change the brightness using the BRIGHTNESS UP (↖) and DOWN (↗) buttons. Feedback color will change based on pattern rate. See chart below.

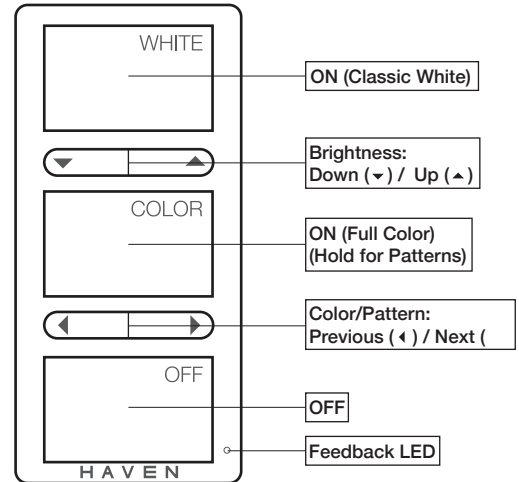
## White Adjustment:

Press and hold the ON (Classic White) button, while holding you can press COLOR/PATTERN PREVIOUS (↶) or NEXT (↷) to cycle through the white color adjustments. Release the ON button to save the new white adjustment value.

## Setting Pattern Rate:

Some of the color options have an animated sequence. You can adjust the rate/period of the sequence:

Adjust Rate: Press and hold the OFF button, while holding you can press COLOR/PATTERN PREVIOUS (↶) or NEXT (↷) to cycle through the rate/period adjustments.



## Colors:

### Solids:

1. Red
2. Fire
3. Pumpkin
4. Amber
5. Tangerine
6. Marigold
7. Sunset
8. Yellow
9. Lime
10. Light Green
11. Green
12. Sea Foam
13. Turquoise
14. Ocean
15. Deep Blue
16. Violet
17. Purple
18. Lavender
19. Pink
20. Hot Pink

### Patterns:

21. [Blend] Red > Pink > Purple
22. [Blend] Deep Blue > Turquoise > Green
23. [Blend] All Colors
24. [Fade] Christmas
25. [Fade] Fourth of July
26. [Blink] Halloween

## Pattern Rate Feedback:

Feedback color will change based on transition rate. See chart below.

## Pattern Rate/Period

Transition Time	Feedback Color
75 msec	Red
10 sec	Blue
30 sec	Yellow
7 min	Purple
16 min	Turquoise

## Wall Switch Technical Data

**Battery Style:** Standard 2032 Battery  
**Typical Battery Life:** 5 Years  
**Range:** Up to 500 ft.