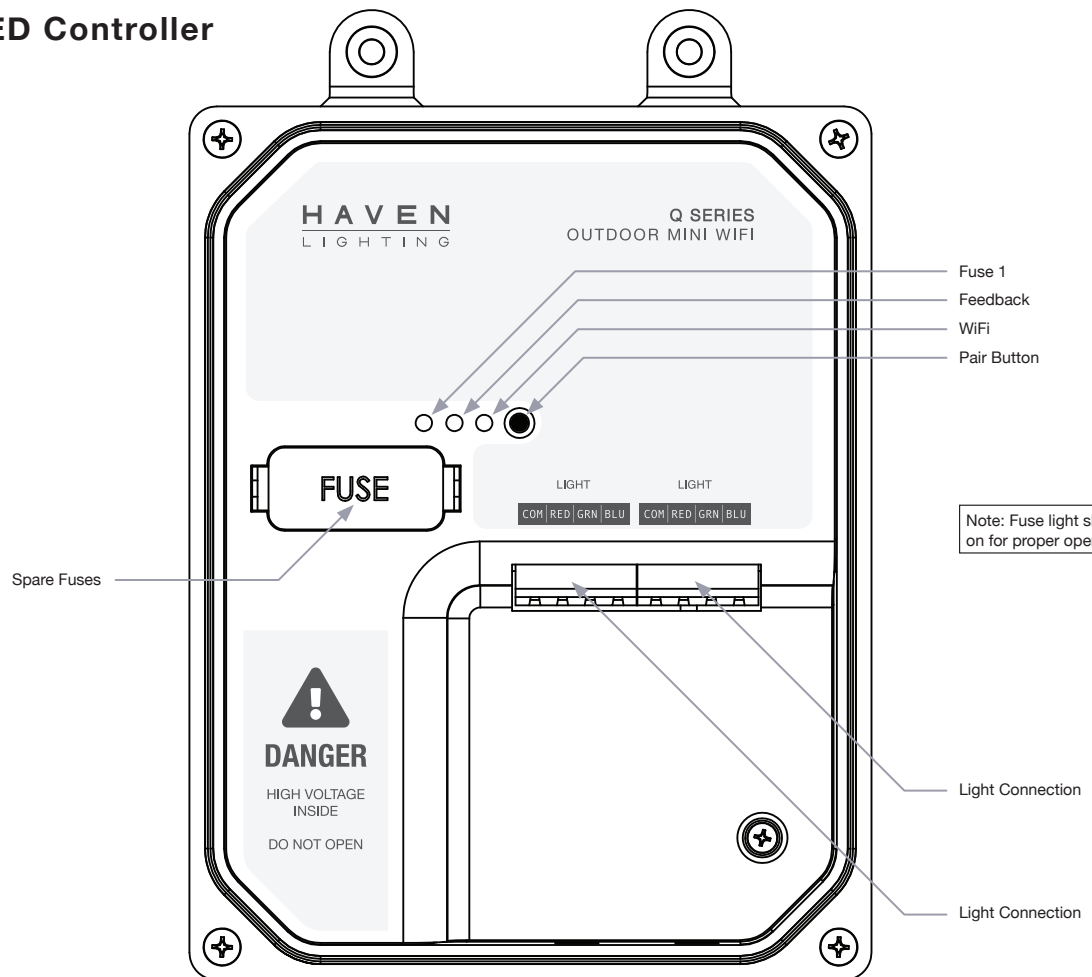


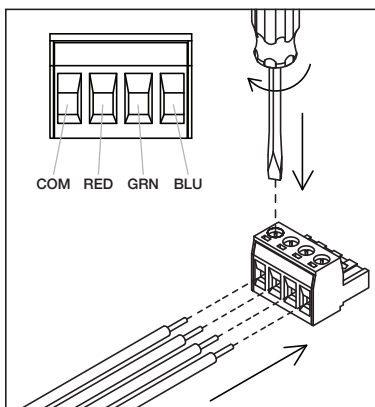
What's in the Box?

- 1 x Q Series – Outdoor Mini WiFi LED Controller
- 2 x Connectors

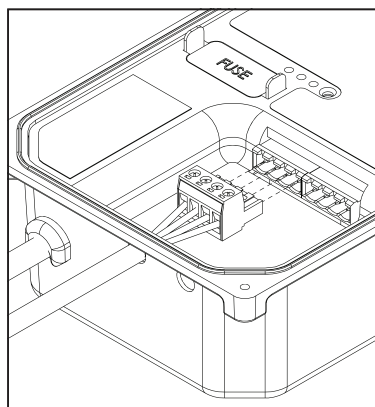
Full Color LED Controller



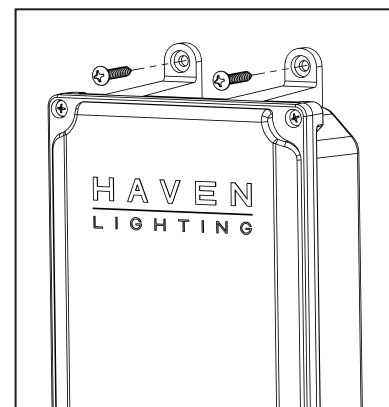
Wiring



Connect wires to connectors



Plug in connectors



Mount to wall & plug into power

Technical Information

Voltage: 10 – 28 V DC
Power: 96W
WiFi Frequency: 2.4 Ghz

Configured to work with Common Cathode LED configurations
(connections to light should be Negative, R, G, B)

120 V AC to 24 V DC Power Supply Attached

Color Information

Dimming Capability: 15 Brightness Levels
White Color Options: 10 White Temperatures

Wiring Configurations

We highly recommend you use our Full Color Wire for any installation where the strips are not directly connected to the controller.

The wire we use is 14 AWG stranded wire that is in wall rated and direct burial rated.

Our LED lights are bright and run at a higher voltage to reduce the amount of current to power them. However, voltage drop management due to this power transmission is still very important when wiring your system.

