

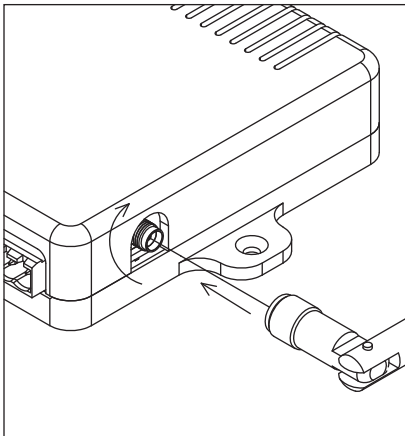
### What's in the Box?

- 1 x Q Series – Full Color Duo LED Controller w/ Connectors
- 2 x Wood Mounting Screws
- 2 x Dry Wall Anchors & Screws
- 2 x Wireless Wall Switch w/ Screws\*
- 2 x Double Sided Tape (for non-screw mounting option)
- 1 x Power Supply

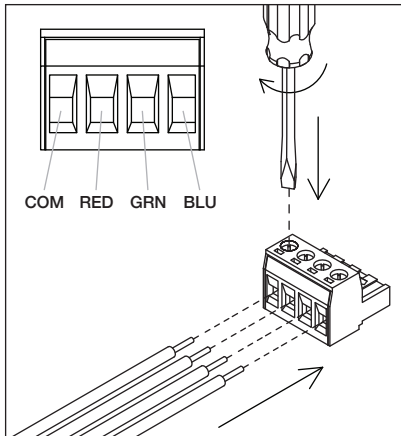
\* Wireless Wall Switch NOT included with WiFi version. see attached Wireless Wall Switch guide.

### Storage and Mounting

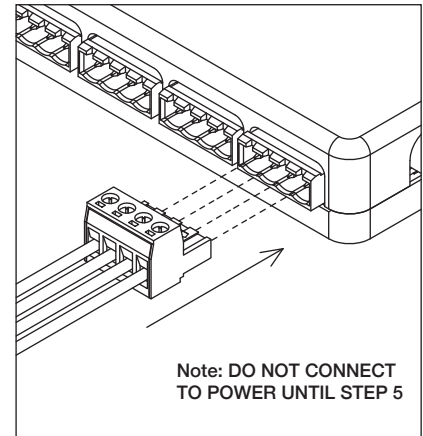
This lighting controller must be mounted in a clean and dry environment with good ventilation. Do not block or cover the vents in the enclosure. Avoid mounting the controller within a metal enclosure. If this is a requirement, we highly recommend that your purchase an antenna extender cable and mount the antenna outside the metal enclosure.



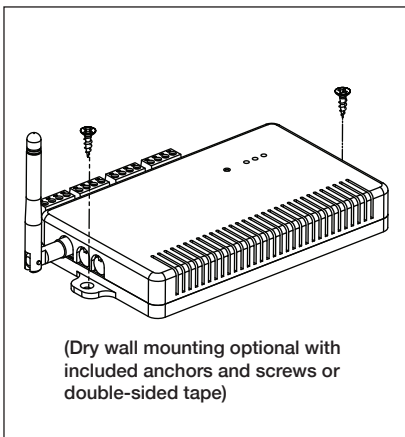
STEP 1: Connect Antenna



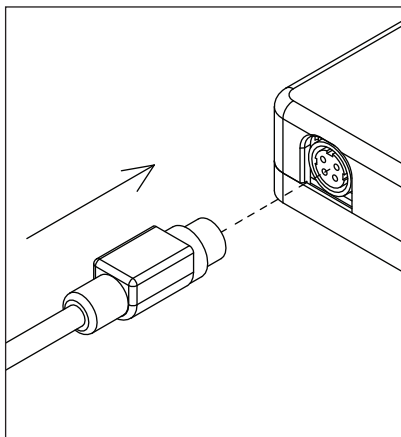
STEP 2: Connect wires to connectors



STEP 3: Plug in connectors



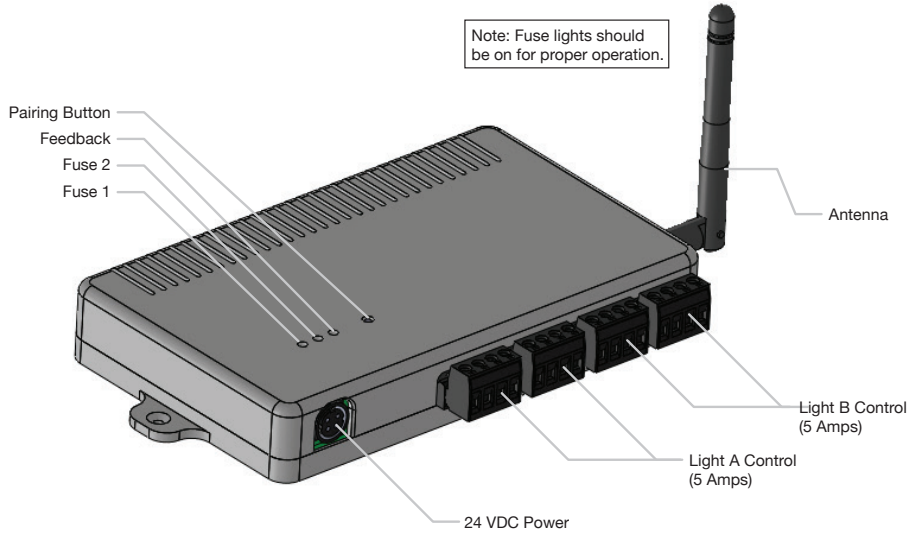
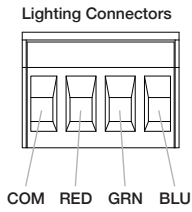
STEP 4: Mount controller



STEP 5: Connect to power

# Full Color LED Controller

## Wiring

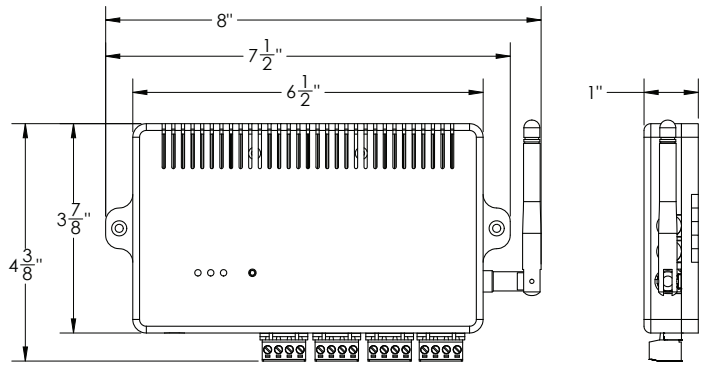


## Technical Information

- Voltage:** 10 – 26 V DC
- Current:** Total Current: 10 Amps  
Light Area A: 5 Amps  
Light Area B: 5 Amps

Configured to work with Common Cathode LED configurations (connections to light should be Negative, R, G, B)

120 V AC to 24 V DC Power Supply Included



## Color Information

- Dimming Capability:** 15 Brightness Levels
- White Color Options:** 10 White Temperatures

## Wiring Configurations

We highly recommend you use our Full Color Wire for any installation where the strips are not directly connected to the controller.

The wire we use is 14 AWG stranded wire that is in wall rated and direct burial rated.

Our LED lights are bright and run at a higher voltage to reduce the amount of current to power them. However, voltage drop management due to this power transmission is still very important when wiring your system.