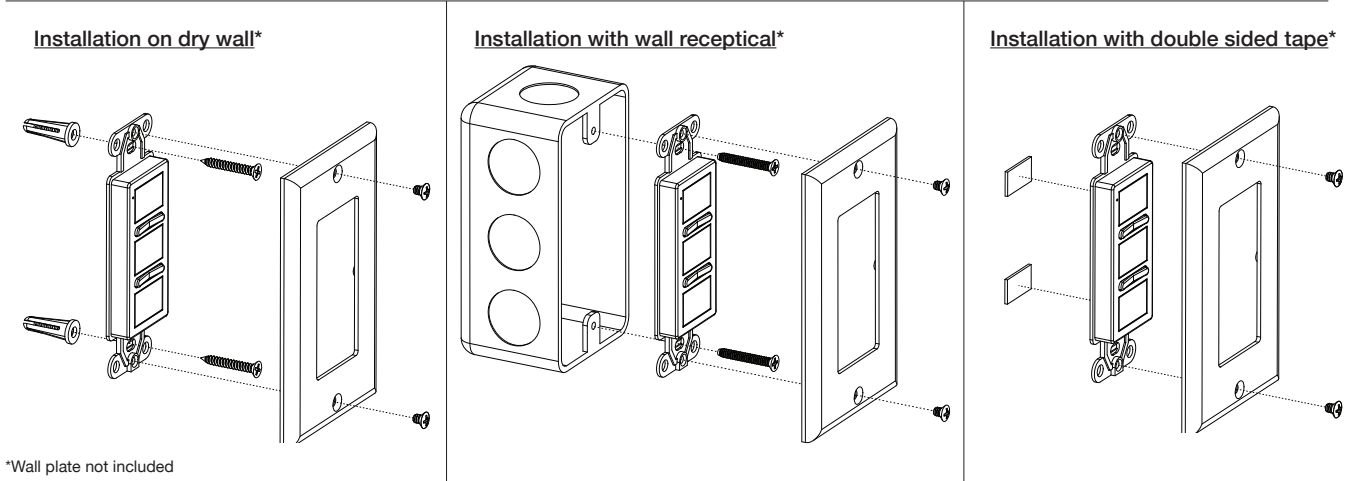
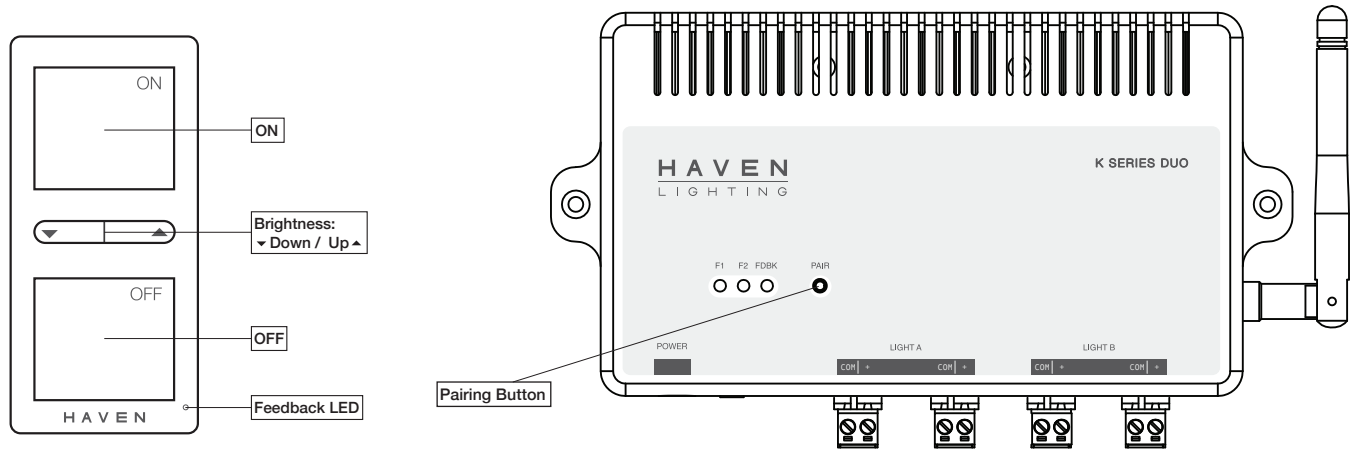


Mounting Options

The light switch should be mounted indoors in a clean and dry environment. Do not install switch on a metal junction box. It will greatly reduce signal range.



Pairing and Setup



Tap the pairing button on the controller to pair a switch or change other settings. The controller will turn off both lights and the green status LED will turn off. Now that you are in pairing mode you can execute the following commands:

PAIRING MODE COMMANDS - K SERIES DUO	
ON + OFF (hold 5 seconds)	Pair switch to both lights (A + B)
ON + BRIGHTNESS DOWN (▾) (hold 5 seconds)	Pair switch to Light A
ON + BRIGHTNESS UP (▸) (hold 5 seconds)	Pair switch to Light B
OFF + BRIGHTNESS UP (▸) (hold 5 seconds)	Unpair switch from controller
BRIGHTNESS UP (▸) or BRIGHTNESS DOWN (▾)	Controller will indicate wireless signal strength

PAIRING MODE COMMANDS - K SERIES MINI	
ON + OFF (hold 5 seconds)	Pair switch to controller
OFF + BRIGHTNESS UP (▸) (hold 5 seconds)	Unpair switch from controller
BRIGHTNESS UP (▸) or BRIGHTNESS DOWN (▾)	Controller will indicate wireless signal strength