

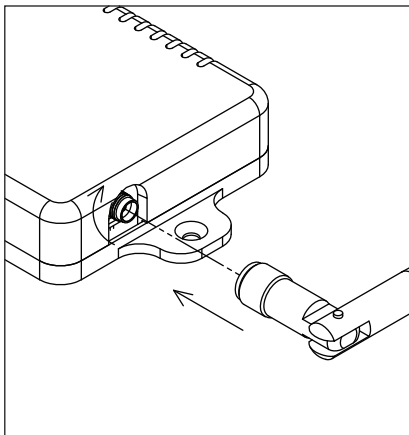
### What's in the Box?

- 1 x K Series – Classic White Mini LED Controller w/ Connectors
- 2 x Wood Mounting Screws
- 2 x Dry Wall Anchors & Screws
- 1 x Wireless Wall Switch w/ Screws\*
- 1 x Double Sided Tape (for non-screw mounting option)
- 1 x Power Supply

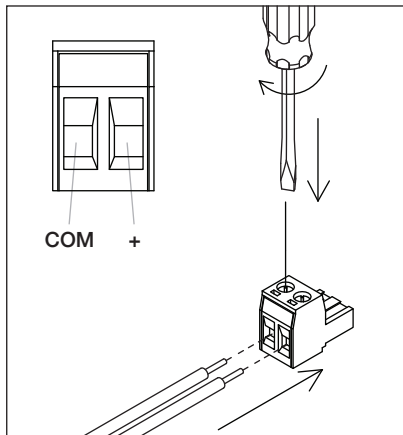
\* Wireless Wall Switch NOT included with WiFi version. see attached Wireless Wall Switch guide.

### Storage and Mounting

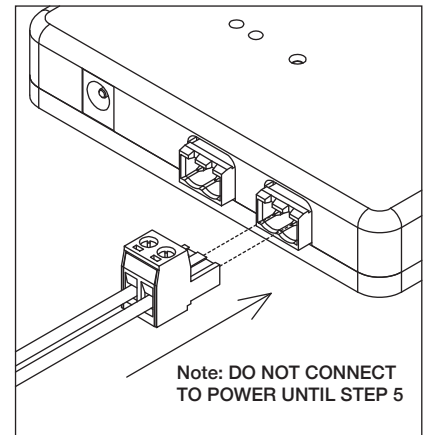
This lighting controller must be mounted in a clean and dry environment with good ventilation. Do not block or cover the vents in the enclosure. Avoid mounting the controller within a metal enclosure. If this is a requirement, we highly recommend that you purchase an antenna extender cable and mount the antenna outside the metal enclosure.



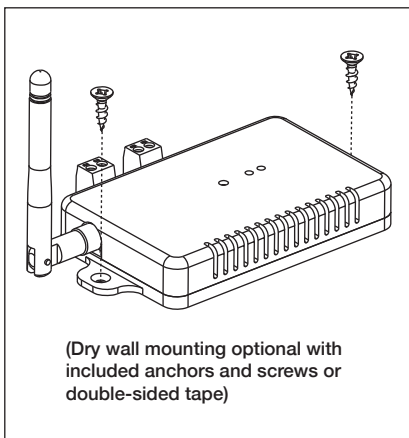
STEP 1: Connect Antenna



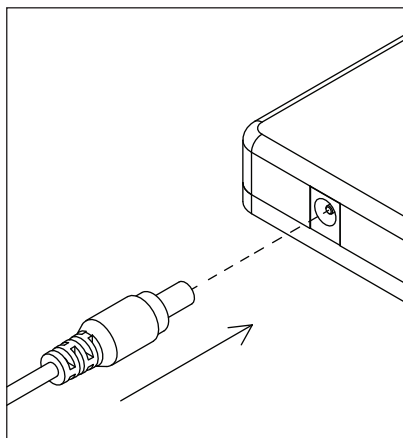
STEP 2: Connect wires to connectors



STEP 3: Plug in connectors



STEP 4: Mount controller

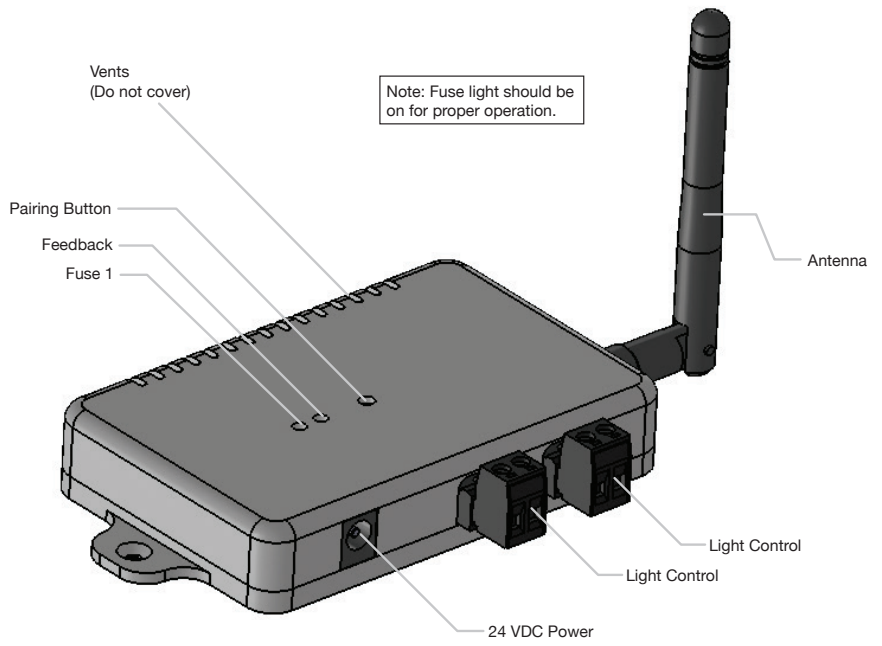
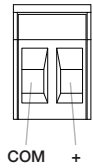


STEP 5: Connect to power

# Classic White LED Controller

## Wiring

Lighting Connectors



## Technical Information

**Voltage:** 10 – 26 V DC

**Current:** Total Current: 4 Amps

120 V AC to 24 V DC Power Supply Included

## Color Information

**Dimming Capability:** 15 Brightness Levels

## Wiring Configurations

When used in conjunction with the K Series - Under Cabinet Lights we highly recommend using the K Series - Under Cabinet Wire.

When used with all of our other products we recommend using the K Series - Direct Burial/In Wall 2 Conductor Wire when extra wire is required for connection to the lights.

