

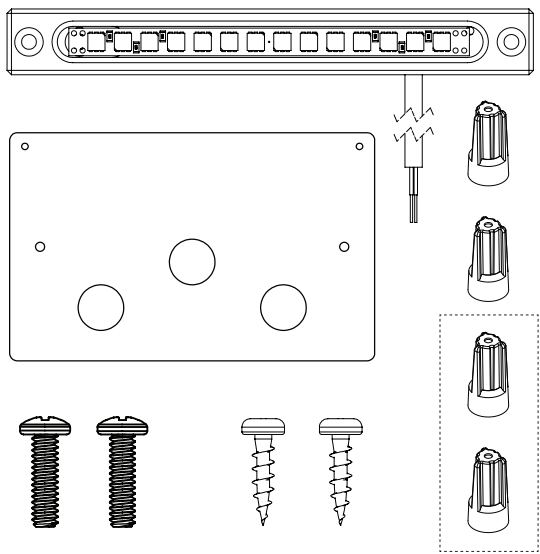
WARNING: RISK OF FIRE OR ELECTRICAL SHOCK. This fixture must be installed in accordance with the National Electric Code and local code specifications. Failure to follow these codes and installation instructions will void the warranty and may result in serious injury and/or damage to the fixture. When using multiple fixtures, do not exceed the total wattage load as specified by the transformer rating. **DO NOT SUBMERGE IN WATER.** This product is designed for above ground installation only.

SAVE THESE INSTRUCTIONS: This guide contains important safety and operating instructions for lighting units.

TECHNICAL INFORMATION

POWER	Q SERIES: FULL COLOR	K SERIES: CLASSIC WHITE	6 SERIES: LANDSCAPE
VOLTAGE	24V DC	24V DC	9-15V AC or DC
CURRENT	125mA	125mA	40mA @ 12V
WATTAGE	3W	3W	1W

WIRING	Q SERIES: FULL COLOR	K SERIES: CLASSIC WHITE	6 SERIES: LANDSCAPE
BLACK	Common	Common	9-15V AC / Common
RED	Red (+24V)	Red (+24V)	9-15V AC / Common
BLUE	Blue (+24V)	Not Used	Not Used
GREEN	Green (+24V)	Not Used	Not Used

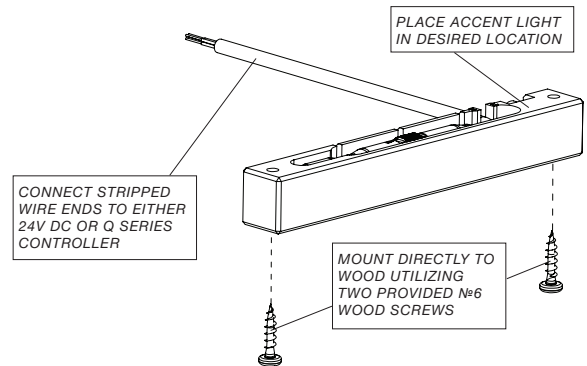


(parts not to scale and some not shown)

WHAT'S IN THE BOX

- 1 x Accent Light
- 2 x № 6 Wood Screws
- 2 x Wire Nuts (or 4 if Full Color)
- 2 x 3M™ Double-sided Tape
- 1 x Mounting Plate
- 2 x 6-32 Screws
- 15 ft. of Wire

Installation



Installation with Mounting Plate

