

**WARNING: This fixture must be installed in accordance with the National Electric Code and local code specifications. Failure to follow these codes and installation instructions will void the warranty and may result in serious injury and/or damage to the fixture. DO NOT SUBMERGE IN WATER. This product is designed for above ground installation only.**

SAVE THESE INSTRUCTIONS: This guide contains important safety and operating instructions for lighting units.

- DO NOT** use with extension cords.
- DO NOT** submerge in water.
- DO NOT** exceed the rated voltage of the unit.

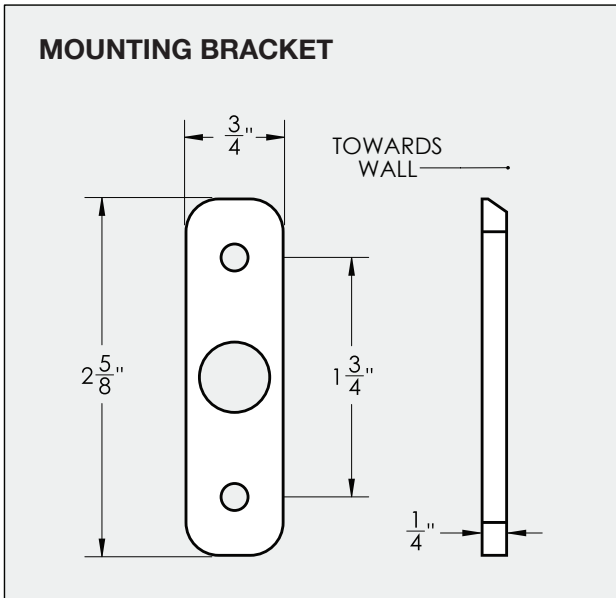
1. The product's sole use is for low voltage lighting systems.
2. Always disconnect the transformer from the electrical outlet before working on or installing this unit and/or any part of the lighting system.
3. This product may be mounted in an indoor or outdoor location.
4. This product must be connected to a 12-15 VAC transformer.

**TIP:** We recommend no more than 80W of lighting in a single run of 12 AWG wire.

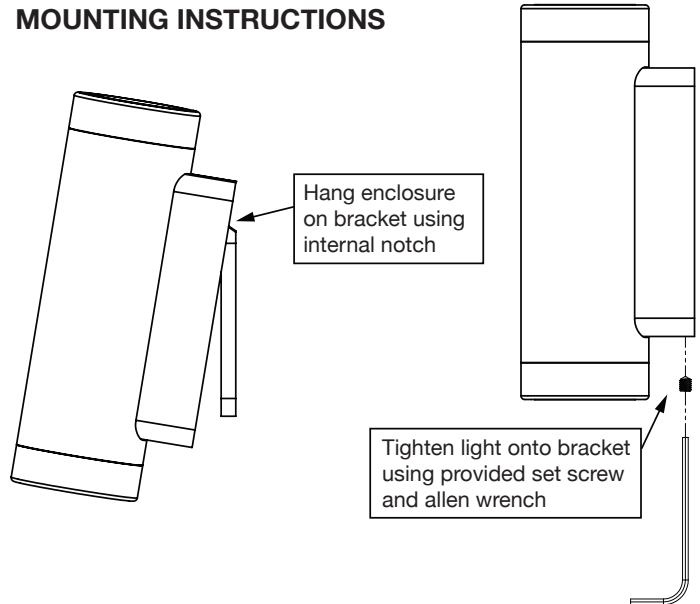
**WIRING INSTRUCTIONS**

We recommend using 12 AWG low voltage UL rated direct burial landscape wire.

1. Unplug the landscape power transformer.
2. Connect one wire of the Main Trunk Line to the Common terminal and connect the other wire of the Main Trunk Line to 15 VAC terminal on the landscape transformer.
3. At the light, cut the Trunk Line and connect wire to one wire from the light and the other wire in the light.
4. Use the Outdoor Rate Waterproof Wire Nut Connectors to connect the wires together. If you would like to add more lights to the trunk line, then include continuation of the trunk line as well.



**MOUNTING INSTRUCTIONS**



**ONLINE RESOURCES**

<p><b>How to Zone</b></p> <p>Learn how to set up ZONES.</p>	<p><b>LED Configuration</b></p> <p>Keep in mind some colors will not use all LEDs.</p>	<p><b>How to Use Connectors</b></p> <p>Learn how to use our waterproof connectors.</p>
---	--	--

Scan this code to watch instructional videos and more.