



DS-1 Wall Mount Automatic Dispenser

Hand sanitizers provide a convenient method of cleaning hands without requiring a sink and running water. Fast-dissolving sanitizer solutions clean users' hands and then dissipate, alleviating the need for rinse water or paper products for drying hands. This allows for a hand sanitizing station to be installed in places without having to install plumbing or other accessories.



Wall Mounted Automatic Dispensers offer a good way of keeping hands clean. An automatic hand sanitizer dispenser comes with a sensor, and as soon as you place your hand under it, it dispenses the sanitizer instantly. There is no need to touch the dispenser itself, making it a very safe hand cleaning solution.

Automatic Dispenser Features:

- Wall mounted sanitizing station is perfect for use in public places
- Hand soap dispenser included
- Automatic, Hands-Free Operation for improved hand hygiene
- Battery operated automatic system
- Designed for 32 oz. gel sanitizer and foam soap



Product Description:

Uses: Perfect for use in common area such as schools, cafeterias, banks, lobbies, restaurants, entryways, and grocery stores

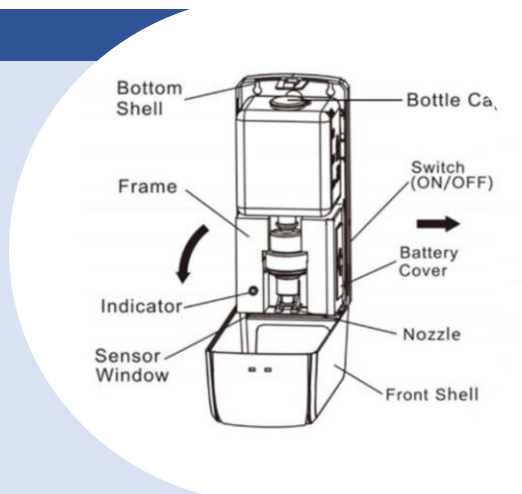
Size: 5.1 x 4.53 x 10.63 in per Piece

2 lb. per Piece

32 lb. per Case

Package 15 Pieces per Case

Case 65.5" x 41" x 29"



Technical Specs:

- Automatic Hand Sanitizing Dispenser
- Spray type or Drip type head

