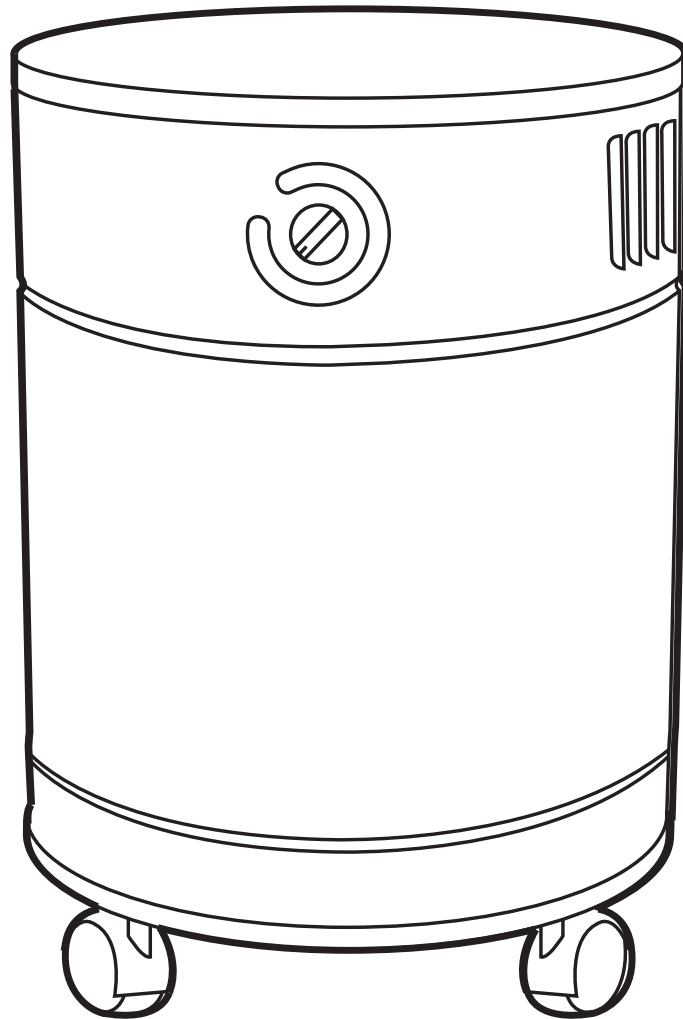




AIRMEDIC PRO 5/6 SERIES

USER MANUAL



Changing lives through cleaner air (Since 1996).



Congratulations!

“ You are moments away from fresher, cleaner indoor air. Your new AllerAir unit will combat many of the chemicals, gases, odors and particles responsible for poor indoor air quality (IAQ). Poor IAQ may cause or worsen allergies, asthma, multiple chemical sensitivity (MCS) and sick building syndrome. We recommend proper maintenance of your unit to keep it running efficiently for years to come.”

Allerair Team



Allerair air purifiers play a valuable role in helping improve indoor air quality. To achieve optimal results air cleaning should be used in conjunction with pollution source control and ventilation, wherever possible.

Ways to improve indoor air

Control the source of the air pollutant by eliminating or reducing it as much as possible.

Ventilate your environment by introducing outdoor fresh air regularly. Stand alone air purifiers are not designed to replenish the oxygen level indoors or eliminate carbon monoxide. They cycle the air within the space reducing the VOCs, dust and other pollutants. When allowing fresh air you are allowing in oxygen into the environment for better breathing.***

AllerAir recommends a minimum of two air exchanges per hour. This has a direct influence on the size and/or the number of air purifiers required for optimum indoor filtration. To ensure you have the proper levels of air turnover please contact AllerAir with volume of your indoor space.

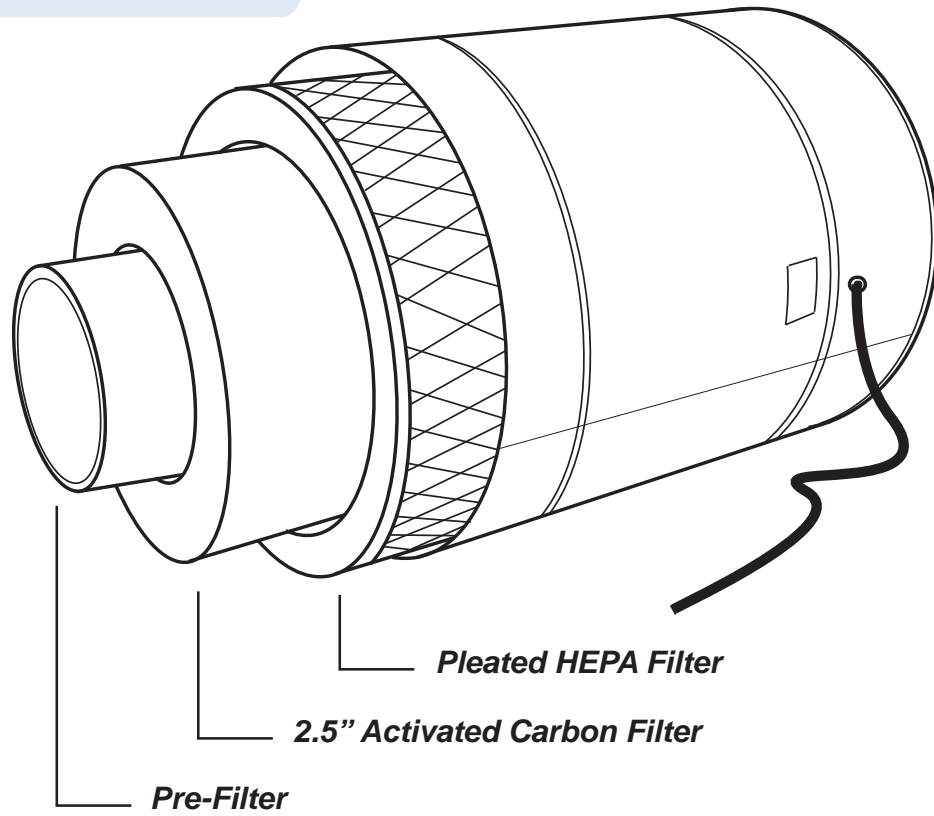
*Improvement in indoor air quality by using AllerAir units depends to a significant degree on circumstantial factors which are out of the control of the manufacturer or distributors. For specific indoor environments and to deal with particular air quality problems, the manufacturer and/or distributors make no claim as to the air cleaning results that are accomplished under the user's individual operating circumstances.****

* Contact Allerair for more information on the different types of pollutants

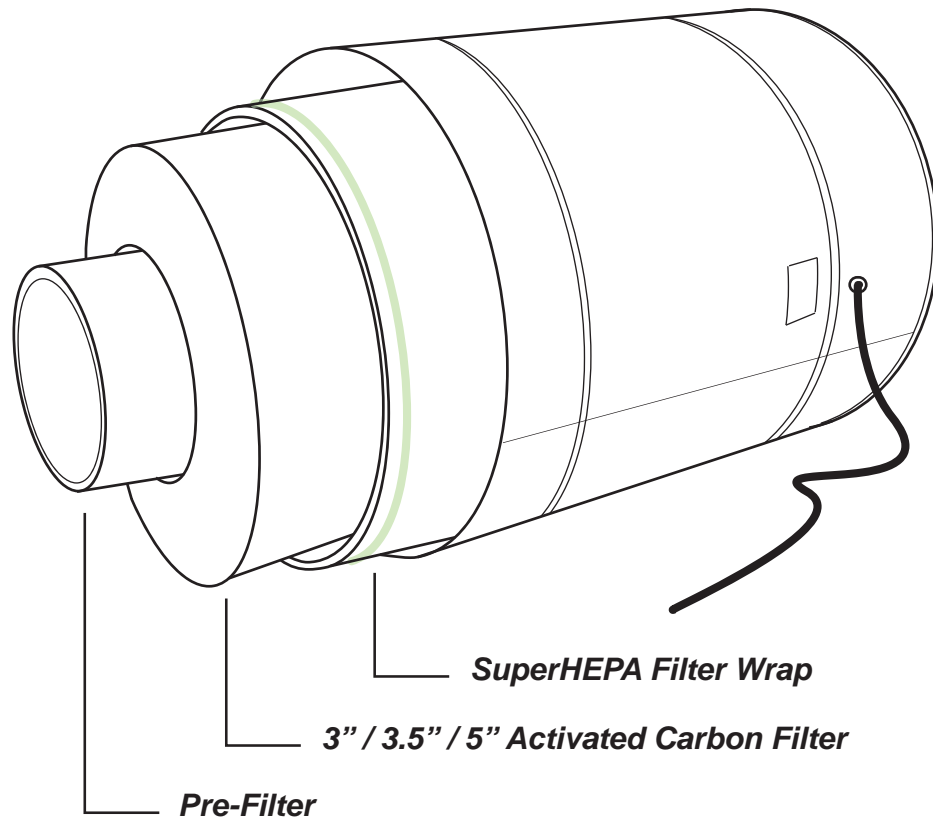
** Air purifiers do not create fresh oxygen.

*** Based on environment, level and type of pollutants results may vary.

AirMedic Pro 5/6



AirMedic Pro 5/6 Plus/HD/Ultra

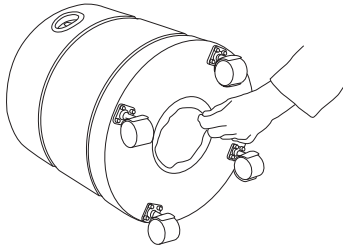


Replacement Filter Guide

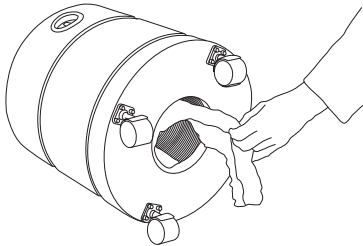
Filter	Types and sizes	Recommended replacement
Pre-filter	Regular	2-3 months
	Tar- Trap	
	MCS filter	
HEPA	MG HEPA	2-3 Years
	SUPER HEPA	1-2 years*
Activated Carbon	2.5" Carbon filter	2-3 years ** [shelf life 5 years]
	3" Plus Carbon filter	
	3.5" HD Carbon filter	
	5" Ultra Carbon filter	
UV	UV-C Germicidal lamp	16000 hours or 1 year
* Recommended to change with the Carbon filter		
** Every application is different when it comes to maintenance. For best performance change every 1-2 years. Carbon shelf life is up to 5 years.		

TO ORDER :
 CALL ALLERAIR TOLL-FREE **1-888-852-8247**
 EMAIL US AT: **SALES@ALLERAIR.COM**
 OR FILL OUR ONLINE **FILTER FORM**

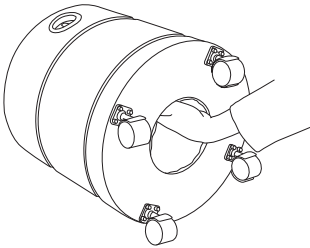
AirMedic Pro 5/6 Quick Pre-filter Replacement



STEP 1
 Turn the unit **OFF**, unplug it, and gently lay it on its side.

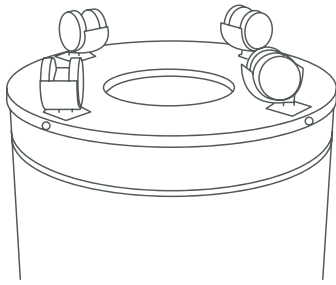


STEP 2
 Slowly remove the dirty pre-filter to avoid dispersing its contents.



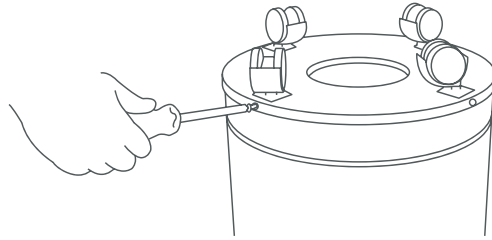
STEP 3
 Insert the new pre-filter and press it outwards to occupy the available space against the carbon filter. Return the unit to an upright position.

AirMedic Pro 5/6 HEPA & Carbon filter Replacement



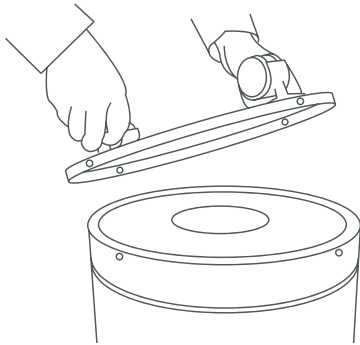
STEP 1

Make sure the unit is Turned **OFF** and the unit is unplugged. Place the unit upside down, so that the wheels face up.



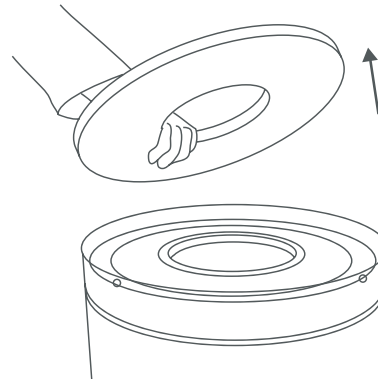
STEP 2

Using a #2 Philips screwdriver, remove the four screws that hold the base onto the unit.



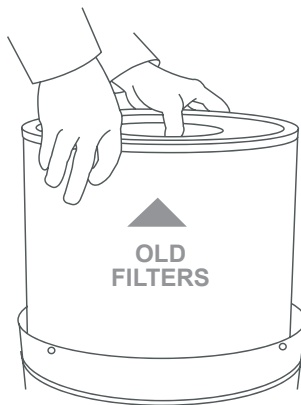
STEP 3

Grab the wheels. Remove the base by pulling gently on the wheels.



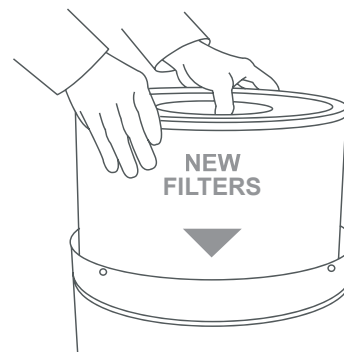
STEP 4

Remove the gasket to access the filters.



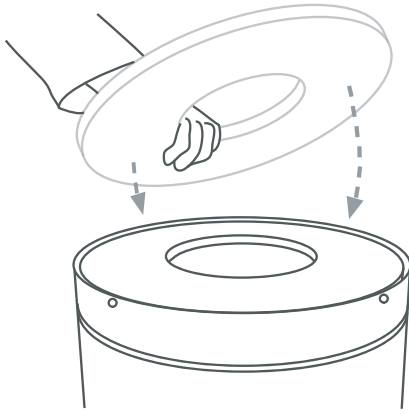
STEP 5

Reach inside the unit, and remove the HEPA & Activated Carbon filter by pulling them upwards. Note that there should be one gasket located at the bottom of the filters.



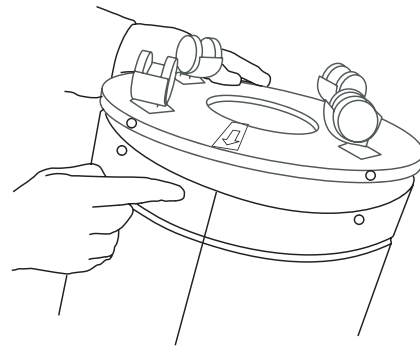
STEP 6

Place the new HEPA & Activated Carbon filter inside. Ensure that there is one gasket at the bottom of the filters.



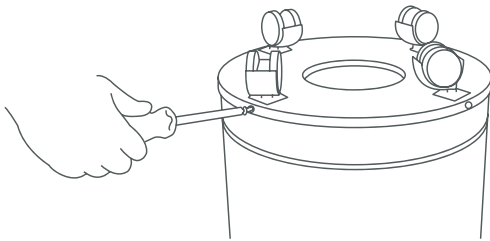
STEP 7

Put back the gasket removed in STEP 4.



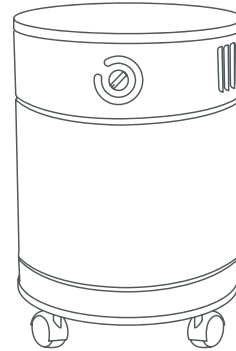
STEP 8

Place the base back, making sure the arrow on the sticker lines up with the unit's rear seam.



STEP 9

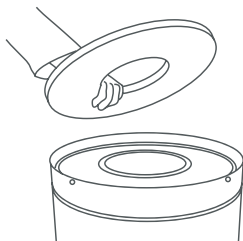
Using a #2 Philips screwdriver, install the four screws to hold the base onto the unit.



STEP 10

Flip the unit back in its upright position. Plug it in and run it on high for a few minutes then set it to your desired speed.

**AirMedic Pro 5/6 Plus/HD/Ultra
SuperHEPA & Carbon Filter Replacement**



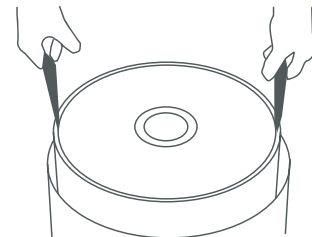
STEP 1

Follow steps 1-4 from [AirMedic Pro 5/6 HEPA & Carbon filter Replacement] to access the filters.



STEP 2A

Remove the carbon filter along with the SuperHEPA filter. **(Follow STEP 2B if you have the Ultra 5" filter)**

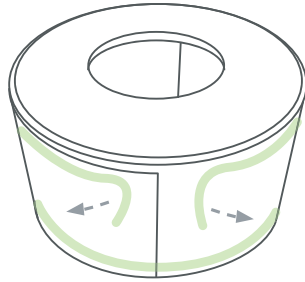


STEP 2B

Using the two straps on the sides of the 5" Ultra Carbon filter pull/lift up both Carbon and SuperHEPA filter together.

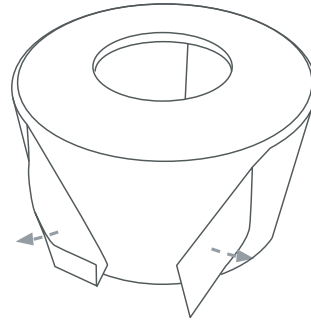
AirMedic Pro 5/6 PPlus/HD/Ultra SuperHEPA filter Replacement

NOTE: SuperHEPA is pre-installed by Allerair when you place purchase both Carobon and SupeHEPA together.



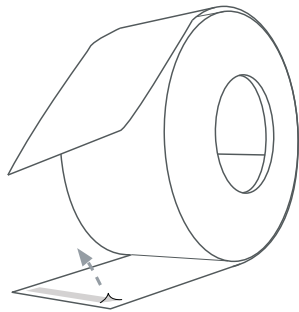
STEP 1

Follow steps 1-4 from [AirMedic Pro 5/6 HEPA & Carbon filter Replacement] to access the filters. Remove green velcro straps



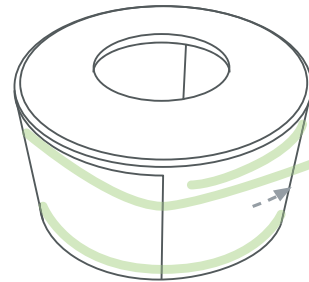
STEP 2

Remove the old SuperHEPA by unwrapping it from around the Carbon filter. (DO NOT Remove the thinner layer carbon wrap from around the carbon filter)



STEP 3

Wrap the SuperHEPA around the carbon filter by rolling the canister onto the Superhepa to ensure it is tight. Remove the sticker off the double sided tape of the SuperHEPA and secure it in place.



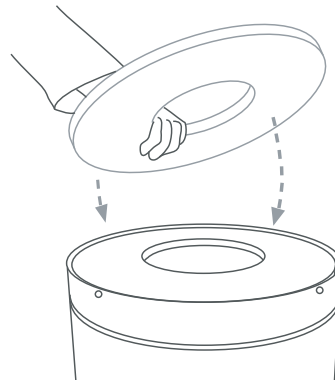
STEP 4

Re-attach the green velcro straps that were removed in step 1



STEP 5

Put the Carbon with the SuperHEPA filter back in the unit.



STEP 6

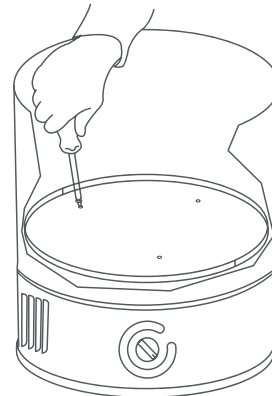
Place the Gasket back on the top and close up the unit.

AirMedic Pro 5/6 & PLus/HD/Ultra UV-C light Replacement



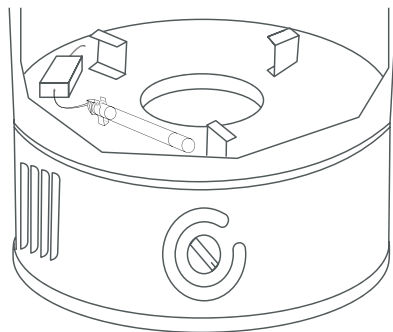
STEP 1

Follow steps 1-5 from [AirMedic Pro 5/6 HEPA & Carbon filter Replacement] and remove the bottom gasket to access the separator plate.



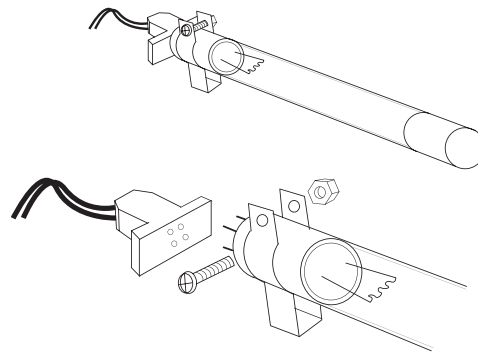
STEP 2

Using a #2 Philips screwdriver, remove the three screws holding the separator plate to access the UV light.



STEP 3

locate the UV-C light bulb. Using a #2 Philips Screwdriver, remove the screw and nut that is holding the UV bulb down as demonstrated in step 4.



STEP 4

Unplug the UV-C bulb from its socket to replace with the new one. Note: do not apply force as you may risk breaking the bulb or the pins.

Tips

Replacing the filters will extend the life of your AllerAir unit. Be sure to follow the Replacement Filter Guide on page 5 to replace your filters.

Place the unit near the source of the Contaminants.

Keep the unit running 24/7 on the lowest setting.

Particles paint may clog your HEPA filter, therefore we recommend that users unplug their units and remove the HEPA filter, storing it off-site until the paint job is complete. Due to the serious toxic nature of paint it is also recommended that your carbon filter be replaced or refilled in the weeks after the paint job is complete.

THE ALLERAIR AIR FILTRATION SYSTEM

ACTIVATED CARBON

Your AllerAir air purifier contains activated carbon that traps dangerous airborne chemicals, gases and odors. This vital filter should be changed approximately every two to three years, depending on the environment in which the unit is operating in. You can also upgrade your unit at any time to accommodate a larger and deeper bed carbon filter that is suitable for removing heavier concentrations of chemicals, gases and odors.

PRE-FILTER

The pre-filter included with your unit removes larger particles and helps prolong the life of your HEPA filter. The pre-filter should be replaced every two to three months.

HEPA

HEPA or high-efficiency particulate air filters were originally developed by the military to remove radio-active dust, and are now the primary particle filtration systems used in hospitals, laboratories, electronic clean rooms and any application where clean air is critical. Today, HEPA filters are widely recommended by allergists, doctors and indoor air quality experts for home and office. They trap an amazing 99.97% of airborne particles at 0.3 microns, including dust, hair, pollen and even some bacteria and viruses. SuperHEPA in AllerAir units traps 99.99% of fine particles at 0.1 microns in size.

ENVIRONMENTS

The AllerAir advantage provides its users with easy and flexible customization options. You can easily change your filters to suit your requirements and needs by upgrading or reducing the filters within the same unit. Some sample environments you can use your air purifier in are: living space, office space, smoking lounge, operatories, clinics, class rooms, salons, restaurants, shops, gyms, studios, and many more...

WARRANTY

Your AllerAir unit comes with a 10-year limited warranty excluding expendable parts such as pre-filters and filters. This warranty provides for the repair of any defective components for 5 years from the date of delivery and includes labor. An additional 5-year warranty is provided on parts. This product is not covered against damage resulting from misuse. This warranty does not cover damage, fault or failure due to alteration or repairs made by anyone other than AllerAir or the use of supplies and accessories other than those manufactured by AllerAir. This warranty is provided to the original purchaser and may not be transferred. A return authorization number is required for warranty repairs.

WARNING

NO USER SERVICEABLE PARTS INSIDE.

RISK OF FIRE, ELECTRIC SHOCK, OR INJURY TO PERSONS THROUGH MISUSE.

THIS IS AN ELECTRICAL APPLIANCE. IT IS NOT INTENDED FOR USE BY PERSONS (INCLUDING CHILDREN) WITH REDUCED PHYSICAL, SENSORY OR MENTAL CAPABILITIES, OR LACK OF EXPERIENCE AND KNOWLEDGE, UNLESS THEY HAVE BEEN GIVEN PRIOR INSTRUCTIONS CONCERNING USE OF THE APPLIANCE OR THEY ARE BEING SUPERVISED BY A PERSON RESPONSIBLE FOR THEIR SAFETY.

CHILDREN SHOULD BE SUPERVISED TO ENSURE THAT THEY DO NOT PLAY WITH THE APPLIANCE

DO NOT OPERATE ANY UNIT WITH A DAMAGED CORD OR PLUG. DISCARD UNIT OR RETURN TO ALLERAIR FOR EXAMINATION AND/OR REPAIR.

REFRAIN FROM POKING OR STICKING ANY OBJECT INTO THE UNIT'S AIR VENT DISCHARGE. DO NOT OBSTRUCT THE AIR INLET AND AIR OUTLET.

DO NOT USE ANY PARTS, ATTACHMENTS OR FILTERS NOT RECOMMENDED BY ALLERAIR

DO NOT IMMERSE THE APPLIANCE IN WATER OR OTHER LIQUIDS.

DO NOT USE APPLIANCE IN ENVIRONMENTS WITH HIGH CONCENTRATIONS OF DUSTY AND/OT POWDER.

DO NOT USE OUTDOORS.

DO NOT USE APPLIANCE IN EXPLOSIVE ENVIRONMENTS.

DO NOT PLACE IN HIGHLY HUMAD ENVIRONMENTS OR NEXT TO A HUMIDIFIER.

SAVE THESE INSTRUCTIONS FOR FUTURE REFERENCE.

*For more information please visit our website www.Allerair.com or call us
Toll-free at 1-888-852-8247
you can also email us at Info@allerair.com*

NOTES:

MODEL NO # _____

SERIAL MO # _____



www.Allerair.com
1-888-852-8247