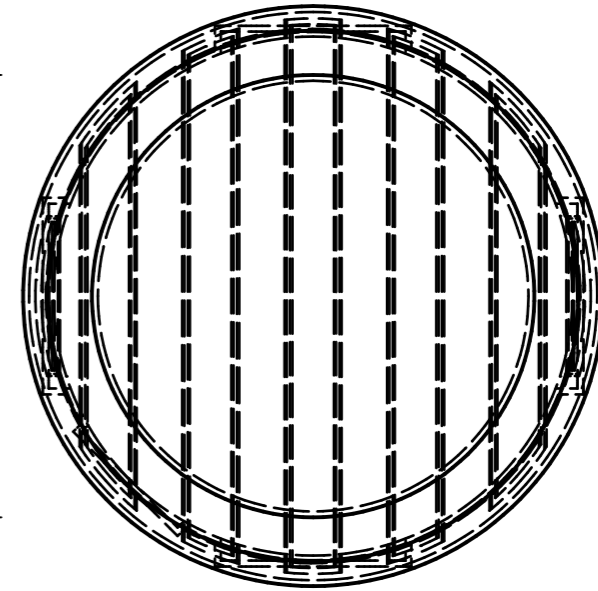
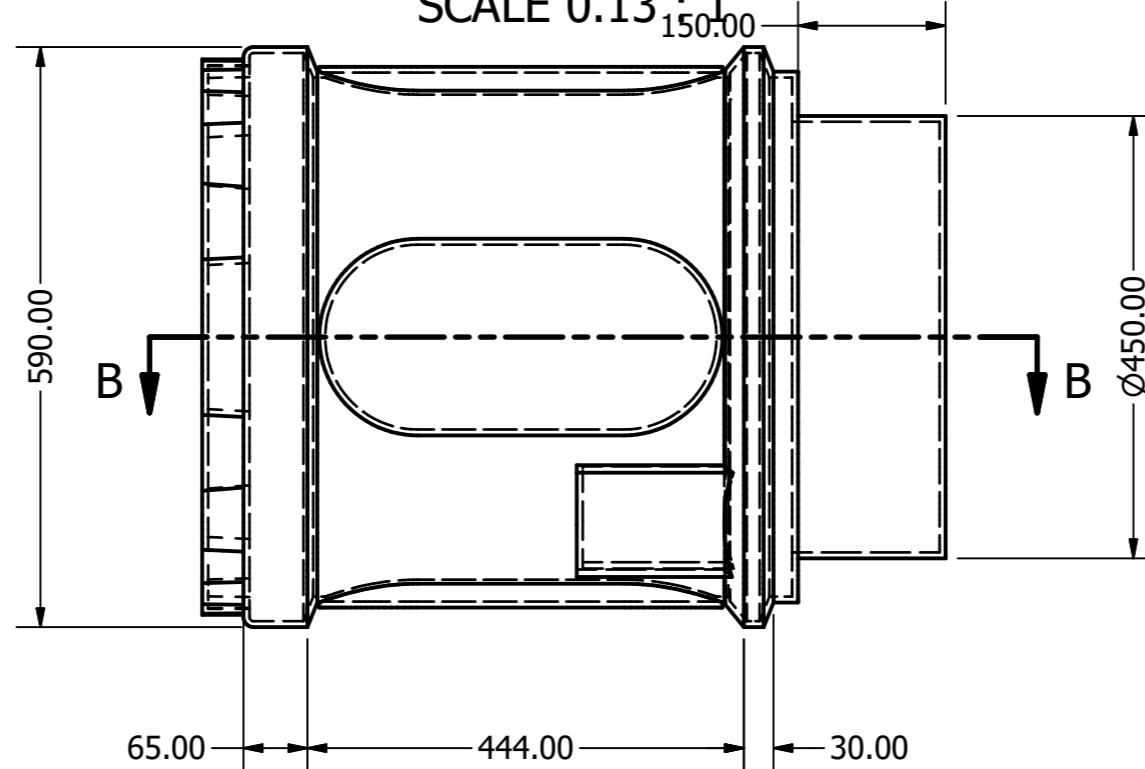
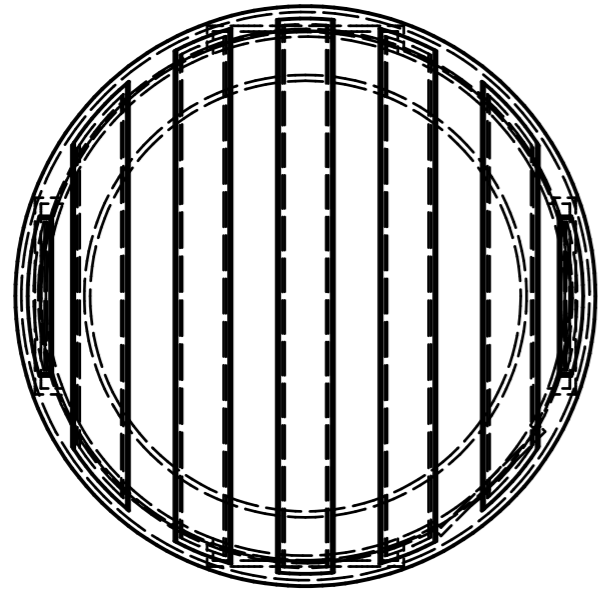


SECTION B-B
SCALE 0.13 : 1



DRAWN	Tony.Bunting	12/10/2021	TITLE							
CHECKED										
QA			Small Chamber							
MFG										
APPROVED			<table border="1"> <tr> <td>SIZE</td> <td>DWG NO</td> <td>REV</td> </tr> <tr> <td>A3</td> <td>AP6215</td> <td></td> </tr> </table>		SIZE	DWG NO	REV	A3	AP6215	
SIZE	DWG NO	REV								
A3	AP6215									
SCALE 0.13 : 1		SHEET 1 OF 1								