



# LORING

The Smarter Way to Roast

## LORING™ S35 Kestrel™

Automated 35 kg Roaster

### INCLUDES

- Touchscreen interface
- Green bean vacuum lift
- Automation software with auto-charge and discharge of beans
- High speed cooling tray with paddle stirring
- Green bean cart with scale
- 7-35 kg batch capacity

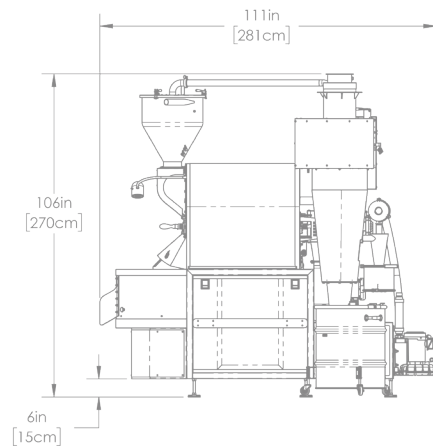
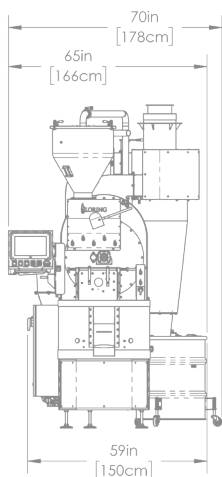
### OPTIONAL

- Destoner



### ROASTER SPECIFICATIONS

Maximum Batch Size	77 lb (35 kg)
Minimum Batch Size	15.4 lb (7 kg)
Nominal Electrical Power	3.7 kW
Peak Electrical Power	6.6 kW
Maximum BTU Rating	300,000 BTU/h (76,000 kcal/h)
Stack Temp Continuous	1,400°F (760°C)
Stack Temp Intermittent	1500°F (816°C)
Stack Max Flow	52 dscfm (88 dsm <sup>3</sup> /h)
Stack Max Flow (Peak Air Cool)	450 dscfm (765 dsm <sup>3</sup> /h)
Stack Duct Diameter (Minimum)*	8 in (203 mm)
Cooler Vent Max Flow	1,560 scfm (2,650 sm <sup>3</sup> /h)
Cooler Duct Diameter*	8 in (203 mm)
Water Supply	1 GPM (4 liter/min)
Water Pressure	50 psi (345 kPa)
Compressed Air Flow	4 CFM (0.1 m <sup>3</sup> /h)
Compressed Air Pressure	60 psi (414 kPa)
Natural Gas Pressure	4-7 in WC (1.0-1.7 kPa)
Propane Gas Pressure	11-13 in WC (2.7-3.2 kPa)
Weight	2,200 lb (998 kg)



\*Larger stack diameters may be required based upon stack geometry

# SUPERIOR IS OUR STANDARD.

Engineered for a roasting experience like no other, every Loring machine gives you unmatched quality, unheard-of efficiency, and unparalleled control.



## UNMATCHED QUALITY.

- Designed and made in U.S.A.
- Constructed by skilled craftsmen.
- Stainless steel construction.
- ISO 9001:2015 certified.

## UNPARALLELED CONTROL.

- Touch screen and PID provide operation of burner and fan speeds.
- Profiles can be saved and repeated consistently.
- Fully automated roasting process.

## UNHEARD-OF EFFICIENCY.

- Single burner roasts beans and incinerates smoke.
- High-speed cooling tray reduces cooling time while protecting beans.
- Up to 80% fuel-savings and reduction of greenhouse gases in every roast, compared to conventional roasters.

## Contact Us

### Loring Smart Roast, Inc.

3200 Dutton Avenue, Suite 413  
Santa Rosa, CA 95407  
+1 707 526 7215  
sales@loring.com

### Australia, New Zealand

VILLERÉ COFFEE  
McLaren Vale, South Australia  
+61 412 112 139  
jbanman@bigpond.com

### China (PRC), Hong Kong

SHANGHAI FORTUNECAFFE CO.  
Shanghai Fortunecaffe Co.  
Shanghai, China  
+86 21 6249 9786  
sales@fortunecaffe.com

### Korea

M.I. COFFEE CORPORATION  
Seoul, South Korea  
+ 82 592 0167  
mi@micoffee.co.kr

### North America, Latin America

ZENDEUS  
San Francisco, California  
+ 1 415 374 9097  
duncan.elcombe@zendeus.com

### Southeast Asia

K2  
Bangkok, Thailand  
+ 66 2276 5170  
sales@k2.co.th

### JAPAN, TAIWAN

DCS CO., LTD  
Osaka, Japan  
+81 798 35 2980  
info@dcservice.co.jp

### Europe, UK, Middle East

THE COFFEE ROASTING  
COMPANY APS  
Copenhagen, Denmark  
+45 3023 8775  
jht@thefactorycoffee.eu

**SCHEDULE A DEMO OR REQUEST A QUOTE AT [LORING.COM](http://LORING.COM)**



© 2018 Loring Smart Roast, Inc.  
The following are trademarks of Loring Smart Roast, Inc.: Loring, The Smarter Way to Roast, S7  
Nighthawk, S15 Falcon, S35 Kestrel, S70 Peregrine and the flame symbol. 1002696 Rev. E