



LORING

The Smarter Way to Roast

LORING™ S15 Falcon™

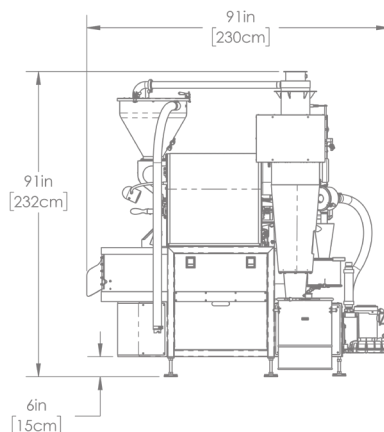
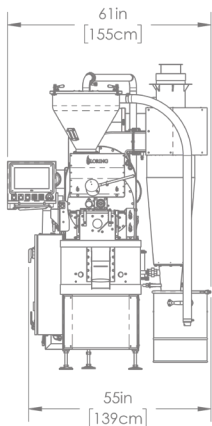
Automated 15 kg Roaster

INCLUDES

- Touchscreen interface
- Green bean vacuum lift
- Automation software with auto-charge and discharge of beans
- High speed cooling tray with paddle stirring
- 3-15 kg batch capacity

OPTIONAL

- Destoner
- Green bean cart with scale



ROASTER SPECIFICATIONS

Maximum Batch Size	33 lb (15 kg)
Minimum Batch Size	6.6 lb (3 kg)
Nominal Electrical Power	2.8 kW
Peak Electrical Power	5.8 kW
Maximum BTU Rating	130,000 BTU/h (33,000 kcal/h)
Stack Temp Continuous	1,400°F (760°C)
Stack Temp Intermittent	1,500°F (816°C)
Stack Max Flow	22 dscfm (37 dsm ³ /h)
Stack Max Flow (Peak Air Cool)	310 dscfm (527 dsm ³ /h)
Stack Duct Diameter (Minimum)*	6 in (152 mm)
Cooler Vent Max Flow	980 scfm (1,665 sm ³ /h)
Cooler Duct Diameter*	6 in (152 mm)
Water Supply	1 GPM (4 liter/min)
Water Pressure	50 psi (345 kPa)
Compressed Air Flow	4 CFM (0.1 m ³ /h)
Compressed Air Pressure	60 psi (414 kPa)
Natural Gas Pressure	4-7 in WC (1.0-1.7 kPa)
Propane Gas Pressure	11-13 in WC (2.7-3.2 kPa)
Weight	1,570 lb (712 kg)

*Larger stack diameters may be required based upon stack geometry

SUPERIOR IS OUR STANDARD.

Engineered for a roasting experience like no other, every Loring machine gives you unmatched quality, unheard-of efficiency, and unparalleled control.



UNMATCHED QUALITY.

- Designed and made in U.S.A.
- Constructed by skilled craftsmen.
- Stainless steel construction.
- ISO 9001:2015 certified.

UNPARALLELED CONTROL.

- Touch screen and PID provide operation of burner and fan speeds.
- Profiles can be saved and repeated consistently.
- Fully automated roasting process.

UNHEARD-OF EFFICIENCY.

- Single burner roasts beans and incinerates smoke.
- High-speed cooling tray reduces cooling time while protecting beans.
- Up to 80% fuel-savings and reduction of greenhouse gases in every roast, compared to conventional roasters.

Contact Us

Loring Smart Roast, Inc.

3200 Dutton Avenue, Suite 413
Santa Rosa, CA 95407
+1 707 526 7215
sales@loring.com

North America, Latin America

ZENDEUS
San Francisco, California
+ 1 415 374 9097
duncan.elcombe@zendeus.com

Australia, New Zealand

VILLERÉ COFFEE
McLaren Vale, South Australia
+61 412 112 139
jbanman@bigpond.com

Southeast Asia

K2
Bangkok, Thailand
+ 66 2276 5170
sales@k2.co.th

China (PRC), Hong Kong

SHANGHAI FORTUNECAFFE CO.
Shanghai Fortunecaffe Co.
Shanghai, China
+86 21 6249 9786
sales@fortunecaffe.com

JAPAN, TAIWAN

DCS CO., LTD
Osaka, Japan
+81 798 35 2980
info@dcservice.co.jp

Korea

M.I. COFFEE CORPORATION
Seoul, South Korea
+ 82 592 0167
mi@micoffee.co.kr

Europe, UK, Middle East

THE COFFEE ROASTING
COMPANY APS
Copenhagen, Denmark
+45 3023 8775
jht@thefactorycoffee.eu

SCHEDULE A DEMO OR REQUEST A QUOTE AT LORING.COM



© 2018 Loring Smart Roast, Inc.
The following are trademarks of Loring Smart Roast, Inc.: Loring, The Smarter Way to Roast, S7
Nighthawk, S15 Falcon, S35 Kestrel, S70 Peregrine and the flame symbol. 1002695 Rev. D