

Catalog # :

Project :

Prepared By :

Date :



## Universal Mounting Bracket - UMB Area Light Brackets

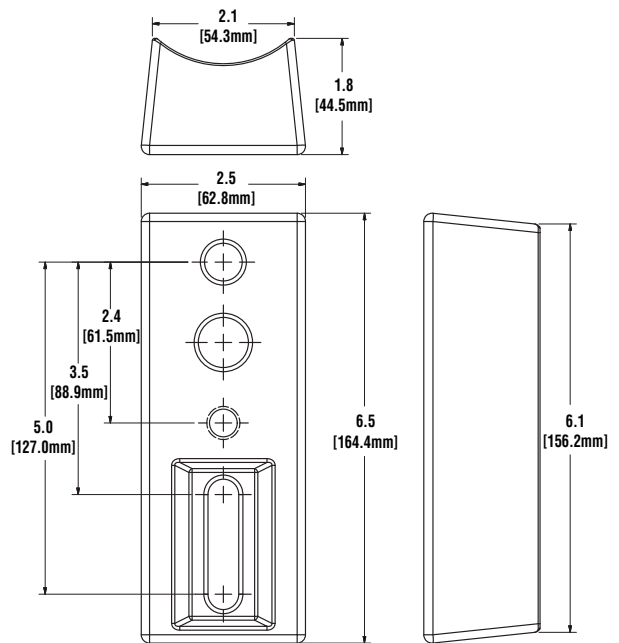


The Universal Mounting Bracket allows for seamless integration of LSI Luminaires onto existing or new construction poles. The UMB bracket was designed specifically for square or round (tapered/straight) poles with (2) mounting hole spaces between 3.5" to 5"

### Features & Specifications

- Allows you to seamlessly integrate LSI Luminaires onto existing/new construction  $\geq 3"$  square or round (tapered/straight) poles with (2) mounting hole spaces between 3.5" to 5".
- Rugged Die Cast Aluminum housing, thick gauge steel pole plate with (1) fixed and (1) adjustable nut, silicone pole gasket, and mounting hardware.
- EPA: .1
- Weight: 3lbs
- 3G rated for ANSI C136.31 high vibration applications.
- Bracket finished with LSI's DuraGrip® polyester powder coat finishing process. The DuraGrip finish withstands extreme weather changes without cracking or peeling. Other standard LSI finishes available. Consult factory.

### Product Dimensions



### Compatible Fixtures



SLM



MRL



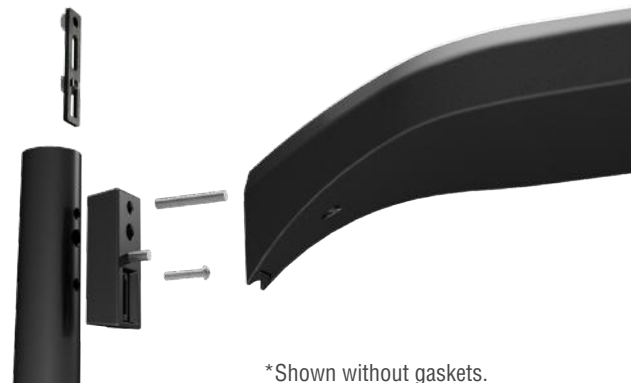
XALM/MRM

### Ordering Guide

TYPICAL ORDER EXAMPLE:

**BAK UMB BLK**

Prefix	Finish
<b>BAK UMB</b>	<b>BRZ</b> - Bronze
	<b>BLK</b> - Black
	<b>GPT</b> - Graphite
	<b>MSV</b> - Metallic Silver
	<b>WHT</b> - White
	<b>PLP</b> - Platinum Plus
	<b>SVG</b> - Satin Verde Green



\*Shown without gaskets.