

# VAUGHN COLLECTION



## MODERN BEAUTY

The Vaughn Fire Pit Table offers a clean, contemporary style that is perfect for small spaces. A grey metal frame holds a unique, grey or white Everblend concrete top that sits on a durable, grey powder-coated base. The small size of this fire table makes it not only portable and great for smaller patios or decks.

## FEATURES:

- Grey or White Everblend™ concrete top
- Graphite Grey metal base
- 17.5" x 17.5" Crystal Fire® Plus burner with clear tempered fire glass gems – 55,000 BTUs (LP/NG)
- Graphite Grey burner cover
- Optional glass wind guard, protective cover, and other fire media sold separately
- Product is setup for liquid propane but can be converted to natural gas using included conversion kit
- Comes standard with Manual Ignition with battery-operated sparker
- Access door conceals standard 20 lb. propane tank in base
- UL Listed, Made in USA with US and imported parts

**PRODUCT INFORMATION:**

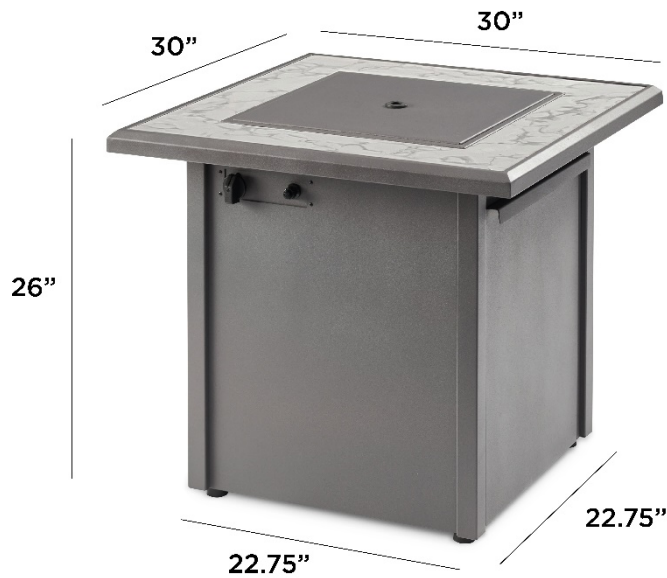
ITEM	ITEM CODE	RETAIL PRICE
White Vaughn Gas Fire Pit Table	VGHN-WT-K	\$2,199
Grey Vaughn Gas Fire Pit Table	VGHN-GR-K	\$2,199

**OPTIONAL ACCESSORIES:**

ITEM	ITEM CODE	RETAIL PRICE
Glass Wind Guard	GLASS GUARD-2424	\$229
Protective Cover	CVR3939	\$89
Tumbled Lava Rock*	LAV-TMB	\$59
Lava Rock*	LAVA-BLK	\$69

\*Refer to the [fire media info sheet](#) for additional media options. 3 bags of fire media are recommended for the 12" x 42" Crystal Fire® Plus Burner.

**DIMENSIONS:**



VGHN-GR-K and VGHN-WT-K  
58 LBS