



THE OUTDOOR  
GREATROOM  
COMPANY

# Alcott Fire Table

Installation Instructions for ALC-1224



## IMPORTANT

Please consult your Crystal Fire instruction manual for detailed instructions and important information related to the burner installation including: lighting and operating instructions, safety information, and proper tightening of connections with two wrenches.

**DO NOT ATTEMPT TO INSTALL CRYSTAL FIRE BURNER WITHOUT FIRST CONSULTING THE CRYSTAL FIRE OWNER'S MANUAL.**

## Contents

Required Tools.....	2
Included With Your Fire Pit.....	3
Un-Packaging.....	4
Base Placement.....	4
CF-SPARKER Installation.....	5
Supercast Top Placement.....	5
Gas Connections.....	6
Electrode Installation.....	7
Thermocouple Installation.....	7
Propane Tank Installation.....	8
Fire Media Installation.....	9
Operating Instructions.....	10

## Required Tools

**TWO people are required for this installation.**



- 2 Open Ended Wrenches  
To secure gas connections.



- Leather Gloves  
To protect hands from rough edges found on fire pit during installation.



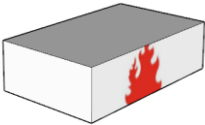


- One AAA Battery (not included)  
Required for electric spark igniter installation.



- Utility Knife  
To cut and remove packaging.

## Included With Your Fire Pit

	<p>Alcott 1224 base (Control Panel Installed)</p> <p>ALC-1224-BASE</p>
	<p>Antique Timber Supercast Top and Burner Cover</p> <p>3648-1224-AT &amp; 3648-1224- AT-C</p>
	<p>1224 Crystal Fire® Plus Burner with Brown Trim</p> <p>CFP-1224-BRN</p>

Refer to Crystal Fire® Plus manual for items included with Crystal Fire® Plus burners.

# Assembly Instructions

## 1. Un-packaging

- Do not discard any packaging until assembly is complete and unit is tested.
- Keep all included manuals in a safe place for future reference.

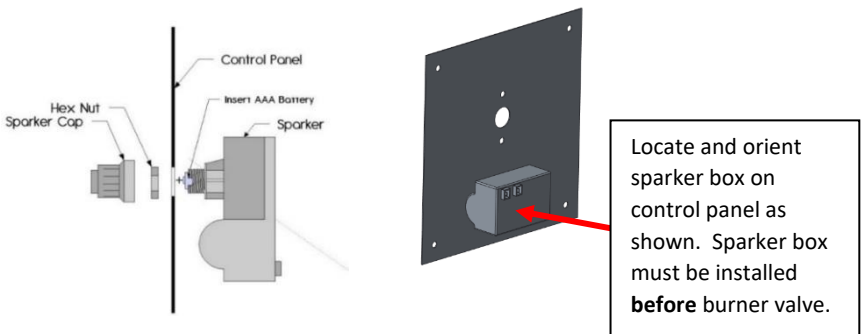
## 2. Base Placement

- Place base in desired final location.
- Place on a hard, flat surface. Avoid soft surfaces and areas that collect water.
- Refer to Crystal Fire® Plus Manual included with your Crystal Fire® Plus Burner for safety information regarding the placement of your fire pit.



### 3. CF-SPARKER Installation

- Locate CF-SPARKER inside of crystal fire burner box.
- Remove CF-SPARKER cap and hex nut. Insert AAA battery (not included) with + end out.
- Install CF-SPARKER into control panel as shown below.
- Depress CF-SPARKER button to test your sparker.



### 4. Supercast Top Placement

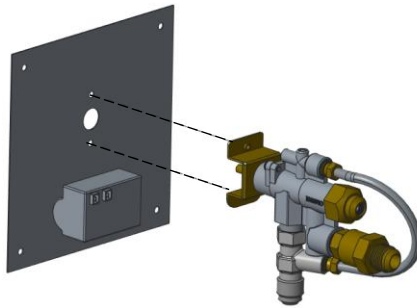
- Caution: Top is heavy, two people are required to lift and set in to place. Remove burner cover before lifting the top to avoid damage to the cover.
- Construction adhesive can be used to permanently secure top to base, if desired.



## 5. Gas Connections

Read and understand your Crystal Fire Burner Owner's manual before beginning burner hookups or using the device. Do not use Teflon tape or pipe dope on flare fittings.

- See Crystal Fire® Plus instructions for burner installation.
  - All gas connections were completed at the factory.
- Check all connections for leaks. If needed, tighten connection with 2 wrenches and re-check for leaks.
- Attach burner valve to control panel with provided screws as shown below. Ensure spark box is installed before this step.

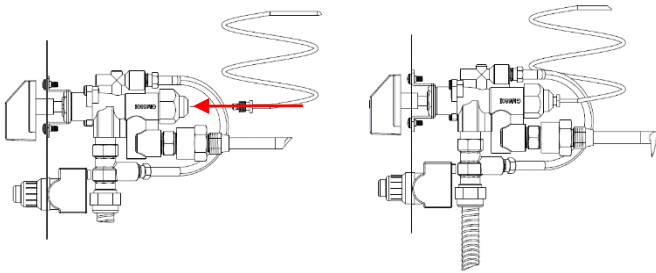


- Carefully place burner into burner opening, oriented as shown.

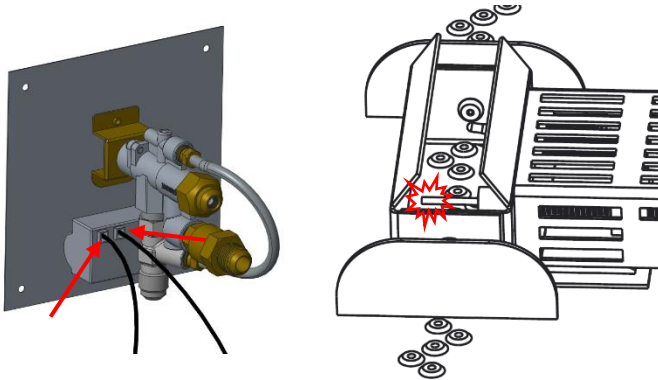


## 6. Thermocouple Installation

- **Refer to Crystal Fire® Plus instruction manual for detailed attachment of thermocouple.**
- Attach thermocouple to burner valve as shown below.



## 7. Electrode Installation



- Connect igniter and ground wire to sparker box. Both wires can connect to either connection point. The unit will operate in either configuration.
- Test system by pushing the button on the igniter. Consult the troubleshooting section of the Crystal Fire® Plus Burner Owner's Manual, if the spark is weak, intermittent, or not present.

## 8. Propane Tank Installation



- With the propane tank valve and fire pit valve off, attach the propane regulator to the propane tank. **Hand tighten, do not use a wrench for this connection.**



- Insert propane tank into base by sliding it past the red dotted line shown above.
- Ensure no hoses or wires are contacting the bottom of the burner.
- Replace the access door.



## 9. Fire Media Installation

- Scatter all included glass beads, lava rock, or other approved fire media evenly across entire burner surface.



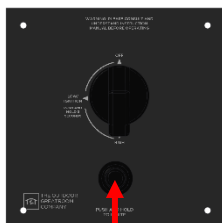
**DO NOT OPERATE CRYSTAL FIRE® PLUS BURNER WITHOUT INCLUDED GLASS BEADS OR OTHER APPROVED FIRE MEDIA**

**DO NOT OPERATE CRYSTAL FIRE® PLUS BURNER WITH BURNER COVER IN PLACE**

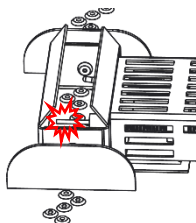
## 10. Operating Instructions

Before operating your Alcott 1224 fire pit, ensure all gas connections are properly tightened and thoroughly leak checked. Refer to the Crystal Fire® Plus Manual for information on proper leak checking and other critical safety information.

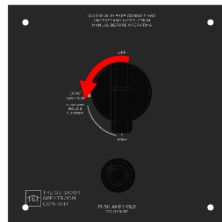
- With the valve on the fire pit in the OFF position, open the valve on the propane tank or natural gas supply.
- Double check to make sure there are no gas leaks at the regulator or inlet side of the valve. If leak is detected, immediately shut off the gas supply and wait 5 minutes to allow gas to dissipate. Fix any leaks before proceeding.
- Press the sparker button and hold, look and listen for spark between electrode and grounding rod.
- While depressing the sparker, open the valve.



1. Depress sparker



2. Look/listen for spark



3. Turn valve to ON

- If burner does not light after 10 seconds, close the valve and wait 5 minutes to allow gas to dissipate before attempting ignition again.

Refer to the Crystal Fire® Plus Manual included with your burner for more detailed information on operation, maintenance, and safety of your burner.

## IMPORTANT

Please consult your Crystal Fire instruction manual for detailed instructions and important information related to the burner installation including: lighting and operating instructions, safety information, and proper tightening of connections with two wrenches.

**DO NOT ATTEMPT TO INSTALL CRYSTAL FIRE BURNER WITHOUT FIRST CONSULTING THE CRYSTAL FIRE OWNER'S MANUAL.**

## WARNING

**After consulting the manual and following instructions, remember; before operating, all gas connections must be fully checked for leaks**

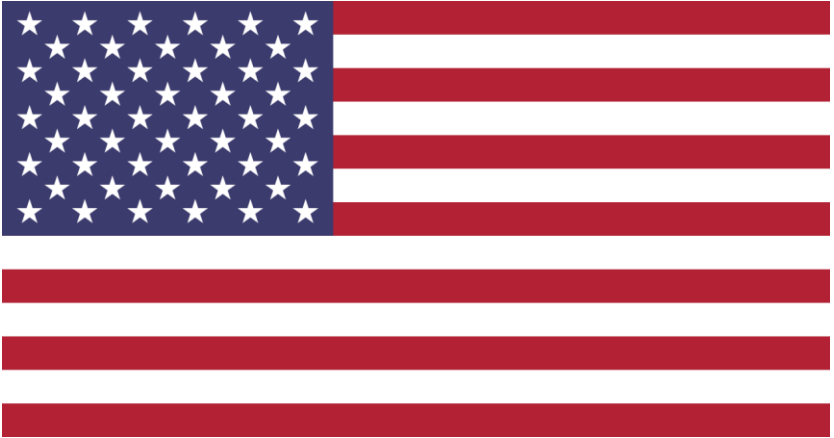
### Supercast Glass Fiber Reinforced Concrete (GFRC) Products Warranty Information

- One year warranty on structure and finish. Cracks that exceed  $\frac{1}{8}$ " displacement in either height or gap and determined to be a product of either material or workmanship, shall be warrantied for a period of 1 year. Non-structural hairline cracks are possible, and shall not be considered a manufacturing defect.
- Natural variations in color, shade, porosity, and texture may occur with GFRC products and are considered inherent and valued qualities of the material. Variation in shape and dimension can be up to  $\pm \frac{1}{4}$ ".
- Under most conditions, re-sealing is suggested every 1-2 years using a clear matte finish solvent based concrete sealer. The frequency is dependent on ambient conditions including, but not limited to: frequency of use, exposure to UV, saltwater, chlorine, hard water, air temperature, and humidity.
- If covering a GFRC item, use a one-way breathable cover as approved and supplied by OGC. Do not use other materials or objects in order to hold down or secure a protective cover on top or around the GFRC item.
- While maintaining a regular re-sealing maintenance schedule in combination with using an OGC one-way breathable cover, the color of a GFRC item will fade minimally over time and should not require re-staining or re-coloring. If re-staining, contact OGC for an approved stain type and color.

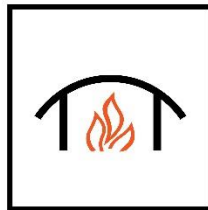


WARNING: This product can expose you to chemicals including Carbon Monoxide and Benzene which are known to the State of California to cause cancer or birth defects or reproductive harm. For more information, visit [www.P65Warnings.ca.gov](http://www.P65Warnings.ca.gov)

Thank you for purchasing an  
Outdoor GreatRoom Company  
product! This fire pit was made with  
pride in the USA.



**Warranty:** Fire pit tables are covered under a 1- year  
manufacturer's warranty. Please visit  
<https://www.outdoorrooms.com/product-registration>  
to register your product.



9583 217<sup>th</sup> St. W. • Lakeville, MN 55044  
Toll Free: 1-866-303-4028 • [Sales@OutdoorRooms.com](mailto:Sales@OutdoorRooms.com)