



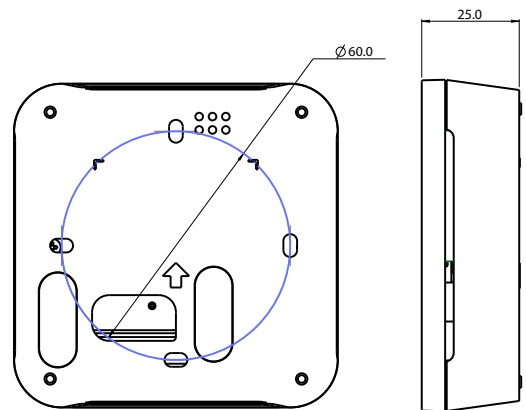
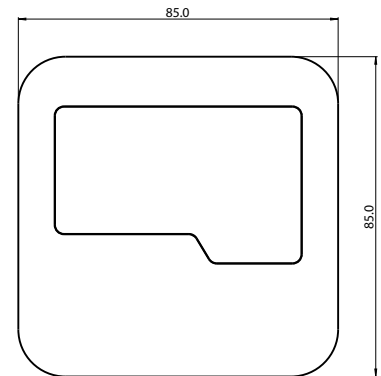
Product Technical Datasheet

Electronic room thermostat for surface heating systems and radiators. The unit is surface mounted or on a wall outlet. The thermostat has a valve protection function and frost protection.

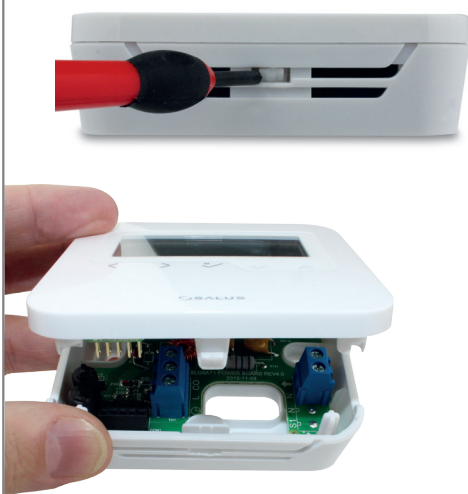
Technical features

Voltage	230 VAC, +10 %, 50/60 Hz
Operating performance	230 V: 1,8 W
Temperature setback	Adjustable
Temperature range	5°C – 35°C
Span	+/- 0,5°C
Storage temperature	-20°C to +60°C
Ambient temperature	0 °C up to 45 °C
Degree of protection	IP 30
CE Conformity	Class II (EN60730)
Housing material	PC, V2
Color	RAL 9010 pure white
Connection	Screw terminal
Weight	125 g net / 170 g gross
Puls-wide-modulation (PWM)	Yes
Profile Modes	3 (Sun, Moon, Automatic)
Heating and Cooling	Yes, automatically Change Over on the Wiring Centre
Parameter adjustment	Yes, in Installer Mode
Dimensions	85mm*85mm*25mm

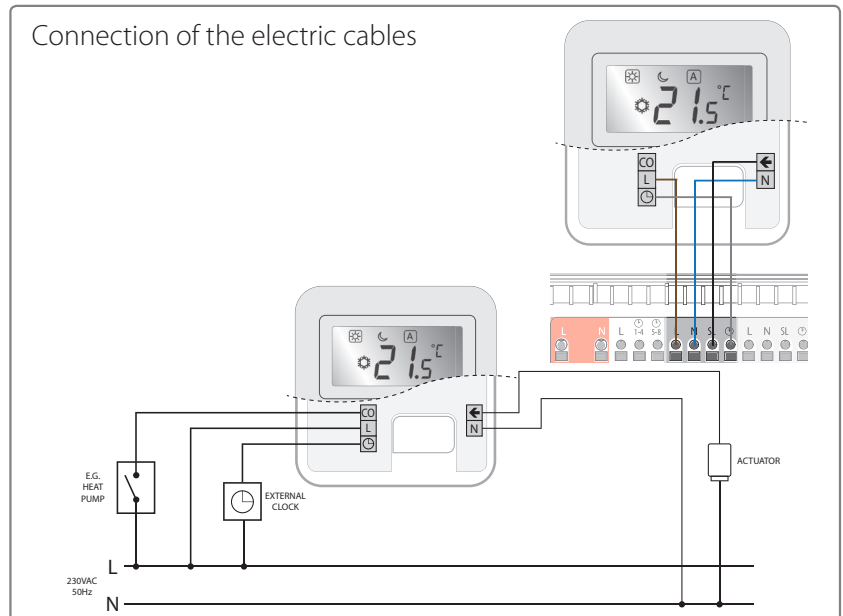
HTRP230



Disassembly of the housing from the base plate



Connection of the electric cables



Date/Version

11/16 – 1.0

Technical disclaimer

Alle Rechte vorbehalten. Technische Änderungen vorbehalten. We reserve the right to alter our products without notice. This also applies to products already on order provided that such changes do not change the functionality of the product

Contact

Salus Controls GmbH
 Dieselstraße 34, Mühlheim am Main
 D-63165, Germany
 Tel: +49 (0) 6108 825850
 info@salus-controls.de