



1967
C2 Corvette
Installation Guide

WARNING



Please read and understand this manual before installing your EPAS kit.

The installation of this system should be done by a professional mechanic or a very knowledgeable amateur. You will be cutting and splicing your steering column, therefore EPAS Performance will not be held responsible for any malpractice. Caution should be taken when installing the electric motor: no impacts, shocks or hammering should be done to the unit. For aesthetic reason, you may choose to paint the assembly either in black or the color of your steering column to conserve the original look.

For a complete understanding, we strongly suggest to read this owner's manual prior to any installation.

Should you have any questions or concerns feel free to contact us at (941) 893-5427 or visit our website for installation videos.

EPAS Performance wishes you thousands of enjoyable miles with your new Electric Power Steering!



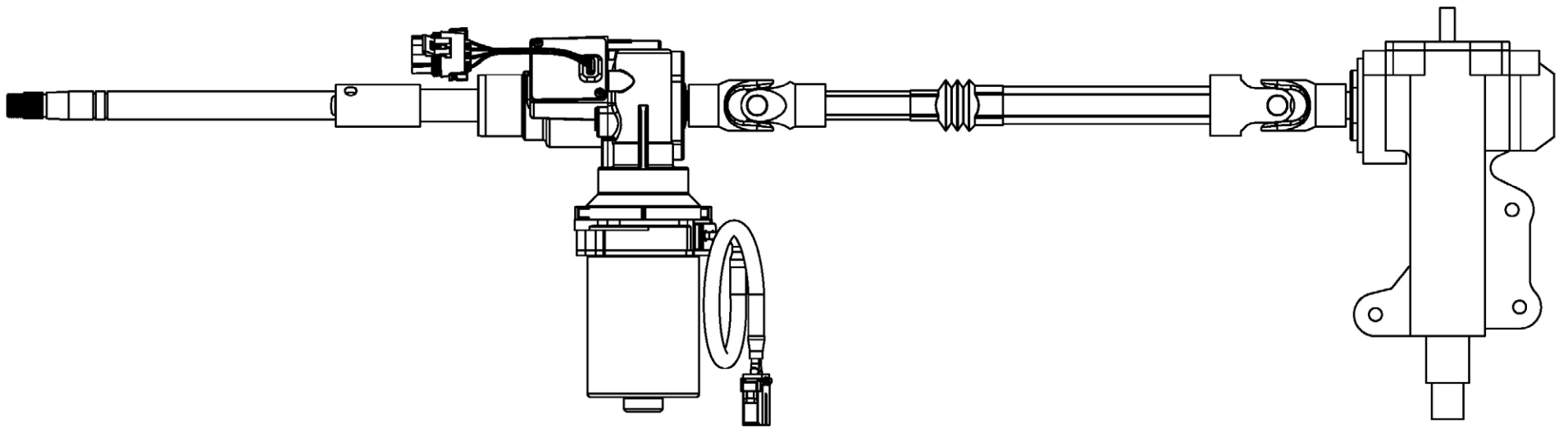
Required tools:

- Drill
- Right angle grinder, with cutting disc
- Eye protection
- Measuring tape
- Steering wheel removal tool
- You will also need hand tools to remove the steering column

C2 Corvette 1967



Motor Orientation Diagram



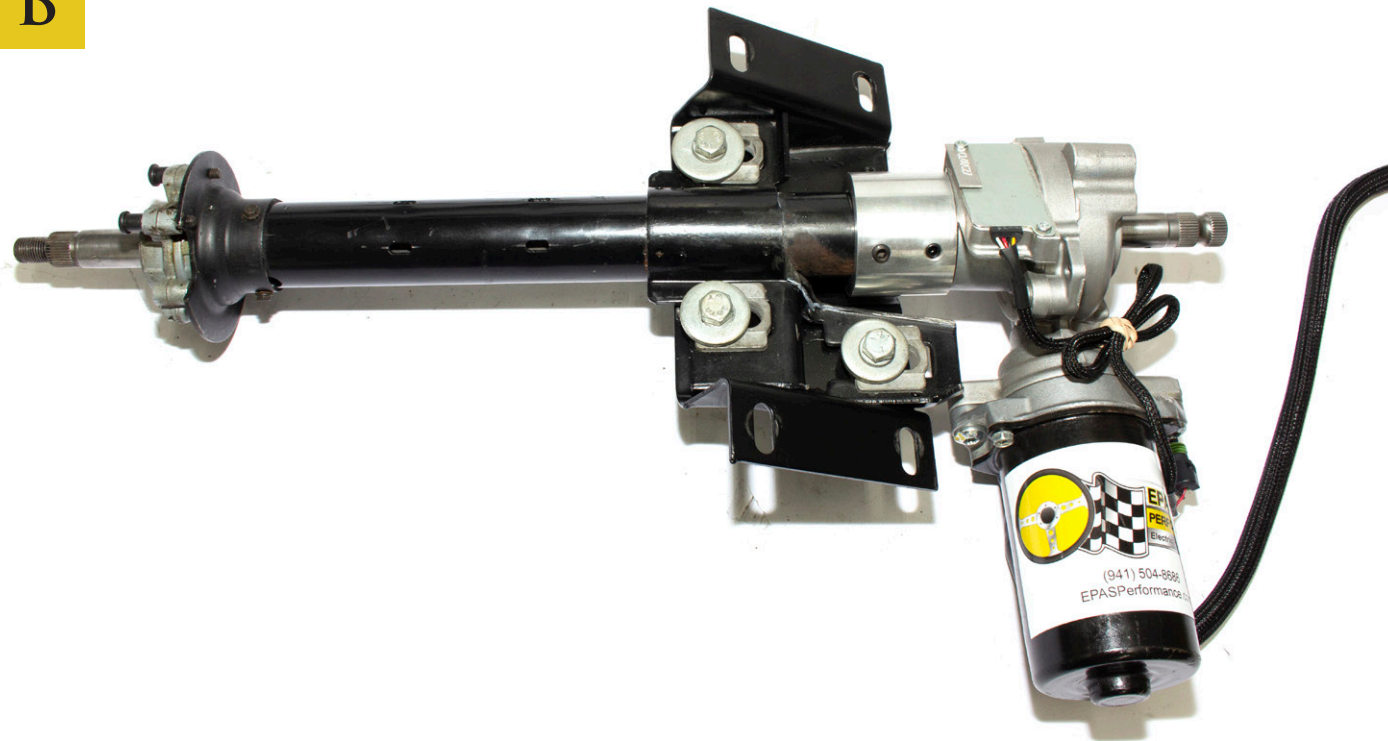


Column & Shaft Modifications:

Disconnect the battery. Take note of the steering shaft depth (This will be used during reassembly) then remove steering wheel and column from the vehicle.

Measuring from the top of the column where the steering wheel mounts, cut the column at 13”

On the steering shaft, make a cut at 14” measuring from the steering wheel splines.

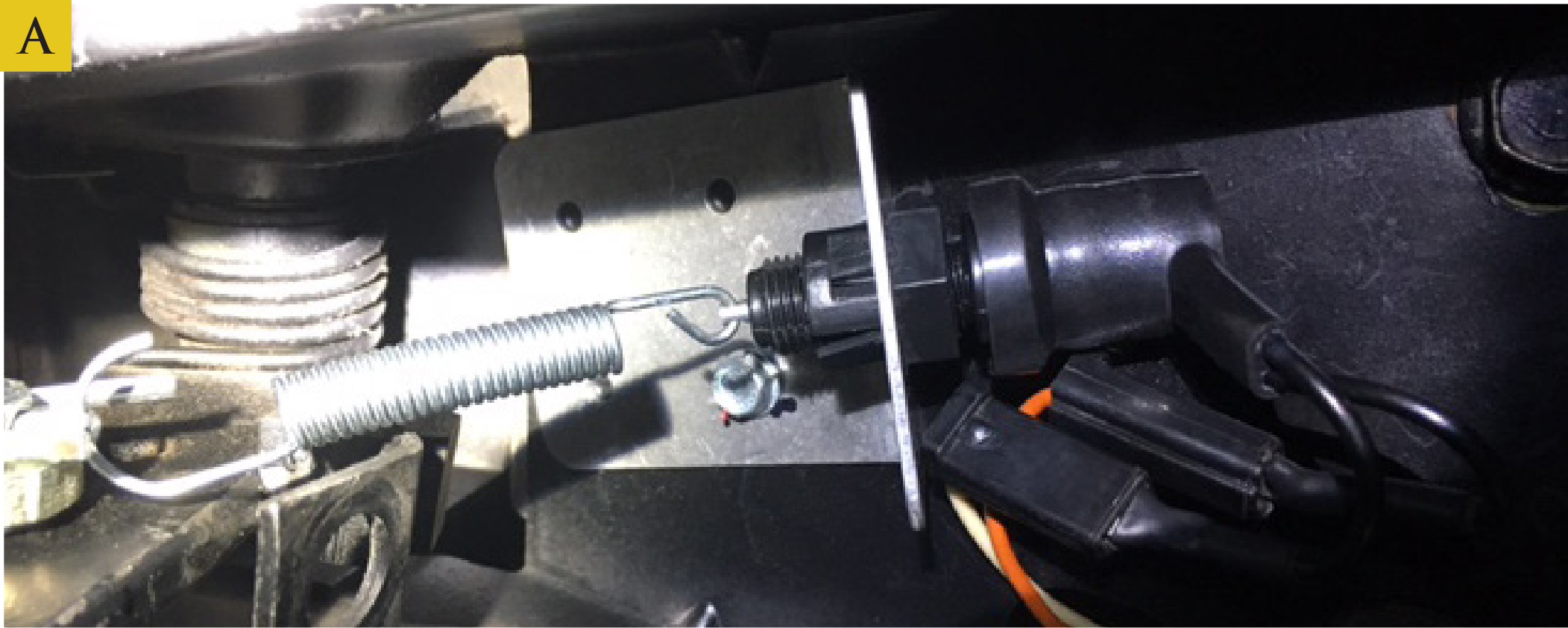
A**B**

Column Bracket Modifications & Assembly:

Modifications to the mounting bracket will need to be made in order for the electric motor to fit. The area marked in white denotes the section that needs to be removed.

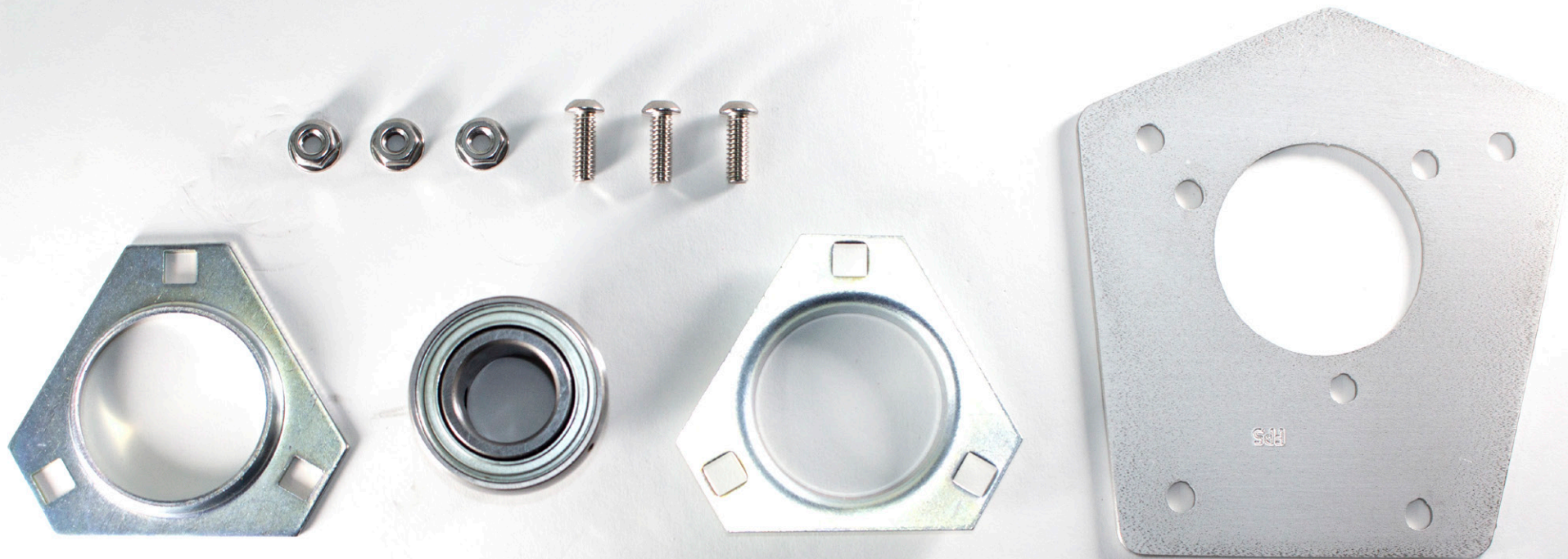
Install the steering shaft into the electric motor - Tighten set screws. Slide the column over the steering shaft, returning it to its original positioning (using the measurements taken before removal). Reinstall the c-clip.

Place the aluminum coupler on the cut end of the column tube, attach the EPAS motor. Only tighten set screws enough to hold the tube to the motor in place allowing for clocking in your vehicle.



C2 Turn Signal Assembly Modifications :

There are two different turn signal assemblies that were available for the C2. If you have the CABLE operated model, you will need to relocate the switch just above the brake pedal assembly with a self tapping screw.



Bearing Plate Assembly:

***Plate style and shape will vary per application**

For kits that include a firewall plate, align them so that they match the images shown. Be sure the bolts holding the bearing in place are loose to allow the bearing to pivot inside of the flanges. This will allow you to achieve the required angle of the collapsible shaft to align with the steering box (mounting flanges may have to be separated for bearing to pivot).

Make sure to tighten all bolts once all parts are aligned.

A

Lower Portion Installation:

Install the firewall bearing and plates. Leave the bolts loose to allow the bearing to pivot to the required angle (mounting plates may have to be pried apart to allow bearing movement).

Run the shaft with the $\frac{3}{4}$ " DD coupler welded to it through the firewall bearing and plate, into the 1" DD shaft. Leaving just the welded spliced coupler inside the firewall.

Install the steering box ujoint to the 1" DD shaft. Push or pull to achieve required length to install the ujoint onto the steering box.



Upper Portion Installation & Final Assembly Notes:

Install the EPAS motor with column, place above the parking brake rod. Align the motor on to the splined welded coupler on the $\frac{3}{4}$ " DD shaft that is through the firewall. Insure you are properly seated into the coupler as if improper instillation will cause binding.

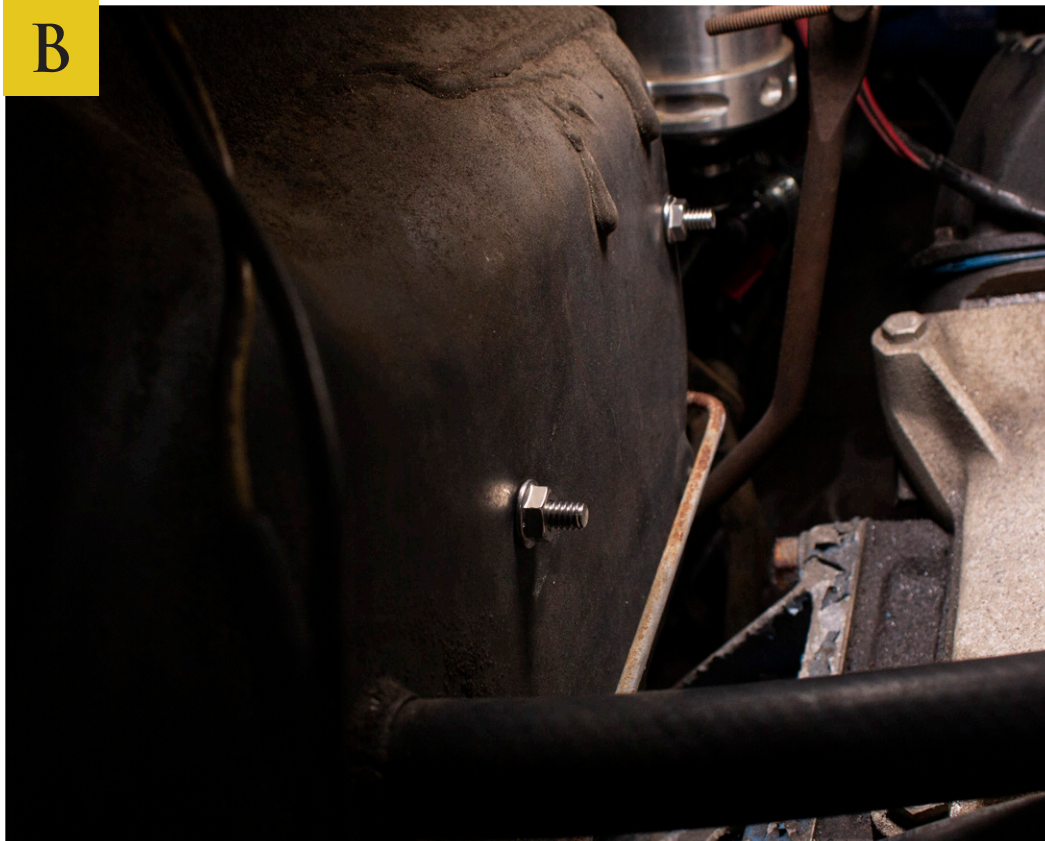
Clock the motor to about 3:00 or until it is free of obstructions. Tighten all set screws.

Adjust turn signal assembly to desired height. Check tightness of set screws.

Hook up horn button and turn signals. Connect the 4way connector on the motor to the module. Blue connector on motor to module.

Reinstall the steering wheel and the dash panels.

Tighten firewall plate and it's bearing.



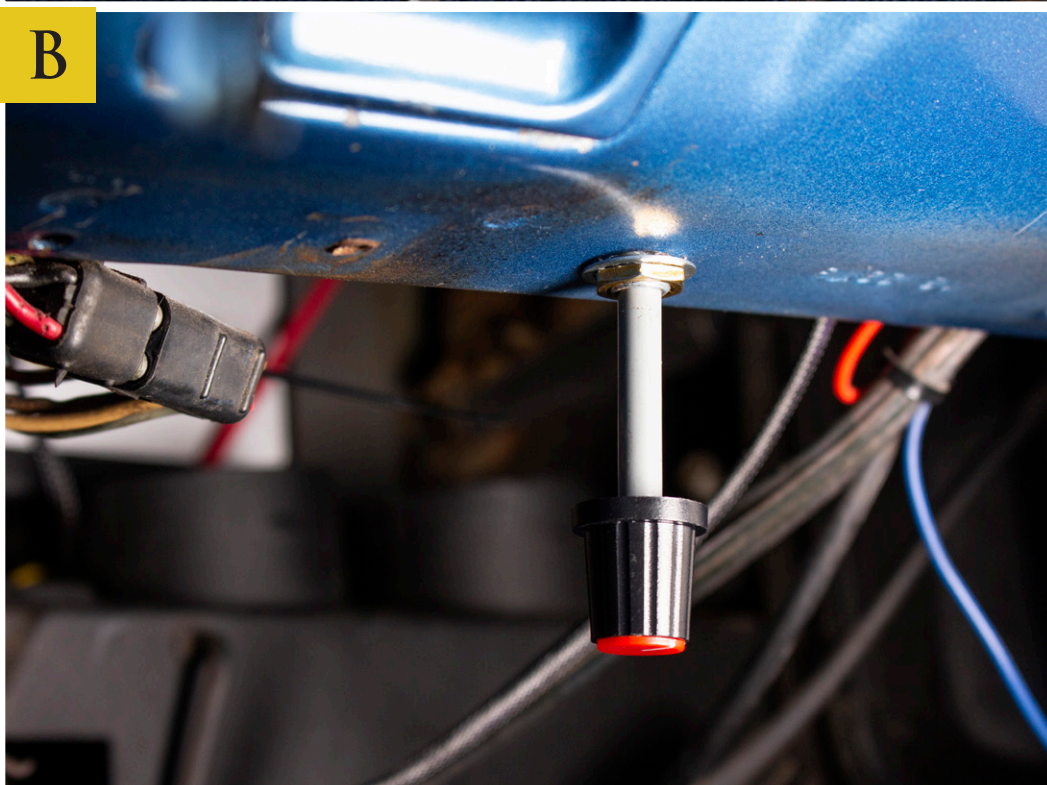
Control Module Installation:

Install the pre-wired control module and its wiring. The control unit can be mounted on the transmission tunnel. A 7/8" hole will need to be drilled in the firewall, underneath the windshield wiper motor. This is where the battery power wire will run through.

Install the provided grommet.

Ensure both ground wires are properly connected to the module plate before mounting.

Connect the plug from the motor (**Blue Connector**) to the module. Connect the plug for the torque sensor (**4way**) to the module.



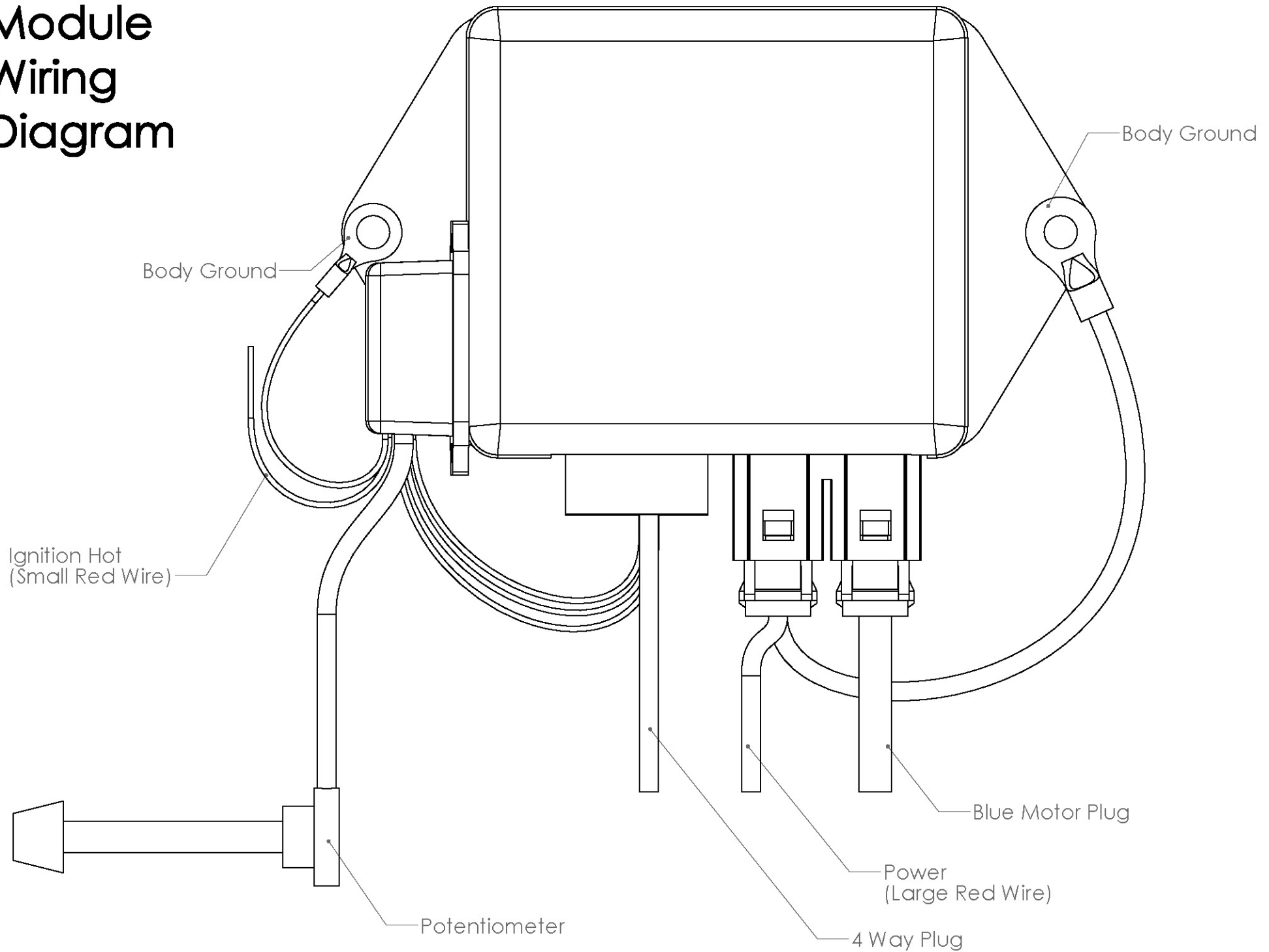
Power Wires & Potentiometer Installation:

Hook up the small red wire to a hot in run and the #10 red wire directly to your battery or a direct power source.

Install potentiometer in an accessible location.

This potentiometer allows you to adjust the strength of the assistance provided by the system. When turned fully clockwise the system will be set to maximum. Turning the dial counter clockwise will reduce the amount of assistance until none is being provided. Your steering will have returned to its original resistance (the system will not be completely powered down until the vehicle itself is turned off).

Module Wiring Diagram



TERMS AND CONDITIONS

LIABILITY LIMITATION AND RELEASE

We are pleased you have chosen to purchase one of our automotive specialty equipment items. Our products are carefully designed to combine performance, durability and safety, and to work in concert with the vehicle's original equipment. As they are specialty products, however, and as both performance and safety are paramount concerns, we urge our customers to consider having the products professionally installed.

We caution the purchaser that the enhancement provided by the specialty equipment item may change the handling characteristics of the vehicle. We urge the purchaser to carefully familiarize him/herself with the vehicle's performance characteristics with the new equipment. This should be done in a safe environment and in a safe manner.

We have no control over the quality or correctness of equipment installations performed by others, nor can we control the uses (in manner or environment) products are subjected to. Accordingly, liability on the part of EPAS Performance LLC is limited to the terms of its Express Limited Warranty.

A decision by the purchaser to retain and install the item purchased will be deemed acceptance of the specific terms of this Liability Limitation and Release.

The purchaser expressly releases and waives any claim against us for any consequential damages or injury that may arise from the use, or any malfunction, of its product. This Liability Limitation and Release binds the original purchaser, all successors in interest, and all persons to whom the product may subsequently be transferred; and the purchaser agrees to make this limitation known to all such persons. This Liability Limitation and Release is part of the consideration for the sale of the product.

This Liability Limitation and Release is governed by the laws of the State of Florida, United States of America. Any dispute regarding its terms or application is subject to arbitration in the State of Florida at the request of either party to the sale.

WARRANTY

This warranty is limited to the repair or replacement of the defective part only; the warranty specifically excludes labor or consequential damages or injury. The decision as to whether the defective part will be repaired or replaced will rest solely with the manufacturer. The warranty period begins on the date the product is shipped to you.

Full 5-year warranty nontransferable.

This warranty is void if the product is or was improperly installed, abused in any manner. Road or accident damage is not covered.

To make a claim under this warranty, call EPAS Performance to return the defective product, shipping or postage prepaid. Please include a copy of the original purchase invoice and a note describing the circumstances of the failure or malfunction.

This warranty is governed by the laws of the State of Florida, United States of America. Any dispute regarding the coverage of this warranty, its application or terms is subject to arbitration in the State of Florida.

If the purchaser disagrees with any of the terms of this warranty, please return the purchased item within three (3) business days of receipt. A decision by the purchaser to retain and install the item purchased will be deemed acceptance of the specific terms of this warranty.

1/16/2020

**Thank you for purchasing the EPAS Performance electric power system.
We do hope you enjoy your vehicle for many miles to come.**

