

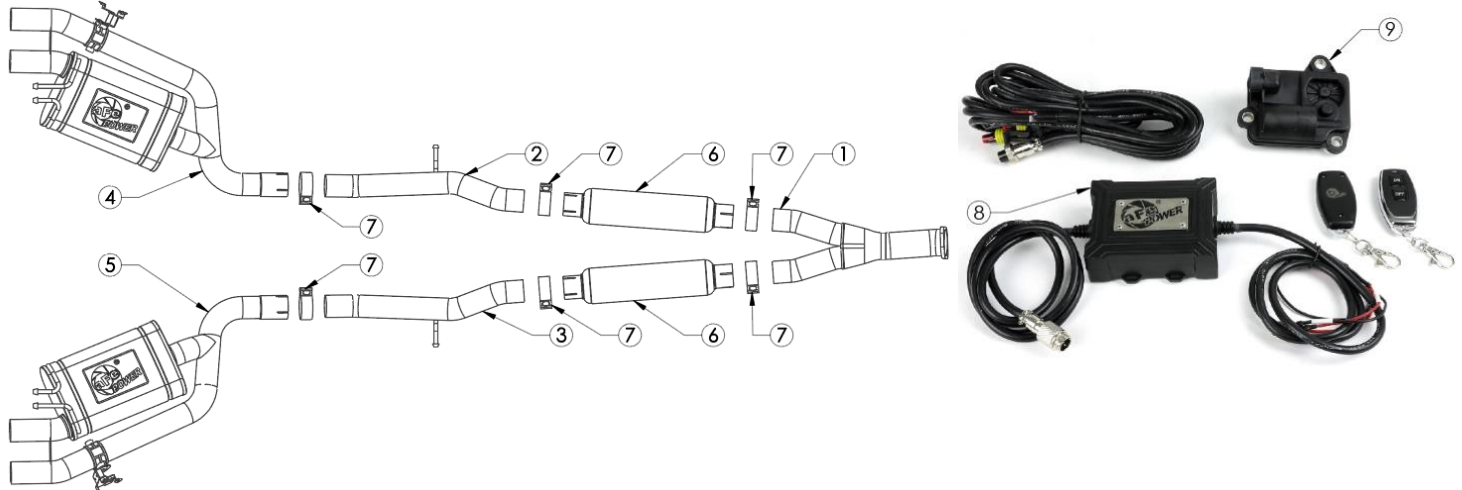


INSTALLATION INSTRUCTIONS

Cat-Back Exhaust

49-37024

MAKE: KIA
MODEL: Stinger
YEAR: 2022-2023
ENGINE: L4-2.5L (t)



Item	Description	Part Number	Quantity
1	Y-Pipe	05-245507	1
2	Driver Side Mid-Pipe	05-245508	1
3	Passenger Side Mid-Pipe	05-245509	1
4	Driver Side Tailpipe	05-245510	1
5	Passenger Side Tailpipe	05-245511	1
6	Resonator, 4" x 19"	R49-91022	2
7	Clamp, Band: 2-1/2"	05-41061	6
8	Controller, Exhaust Valve	05-70041	1
9	Motor, Exhaust Valve: 12 Volt	05-70042	2

aFe POWER recommends professional installation on this product. Thoroughly inspect the aFe POWER exhaust system to make sure there is no damage from shipping (if damage is noted, immediately contact aFe POWER customer service). Allow time for your vehicle to cool down prior to installation. When working on your vehicle proceed with caution. Wear protective safety equipment; eye goggles and gloves to ensure a safe installation.

Install band clamps to proper torque specifications of 40-45 ft-lb.

Install V-band clamps with anti-seize lubricant and hand tighten only to torque specifications of 10-15 ft-lb.

- (Read instructions prior to installation.)** It is recommended to not fully tighten the exhaust until it has been fully installed. Leave loose for adjustability.
- Secure vehicle on jack stands (refer to your manual for specified jack stand positions).
- For faster installation, spread out the parts of the exhaust alongside your vehicle as shown in the diagram above.
- Secure the stock exhaust with jack/stands.
- Remove the nuts from the O.E. Rear Muffler Assemblies. Remove the O.E. Rear Muffler Assemblies from the Rubber Isolation Mounts and remove from the vehicle.
- Remove the O.E. Front Pipe nuts after the Catalytic Converters. Remove the O.E. Chassis Cross Brace Bolts. Retain the Hardware for Installation.
- Remove the hangers from the Rubber Isolation Mounts and remove the O.E. Front Pipe from the vehicle.
- Install the aFe Power Y-Pipe using the O.E. Hardware. Re-install the O.E. Chassis Cross Brace Bolts.
- Slide the aFe Power Driver Side Mid-Pipe and aFe Power Passenger Side Mid-Pipe into the aFe Power Y-Pipe. Secure using the supplied 2-1/2" Band Clamps. Slide the hangers into the vehicle's Rubber Isolation Mounts.
- Slide the aFe Power Resonators into the Driver Side and Passenger Side Mid-Pipe and secure using the supplied 2-1/2" Band Clamps.



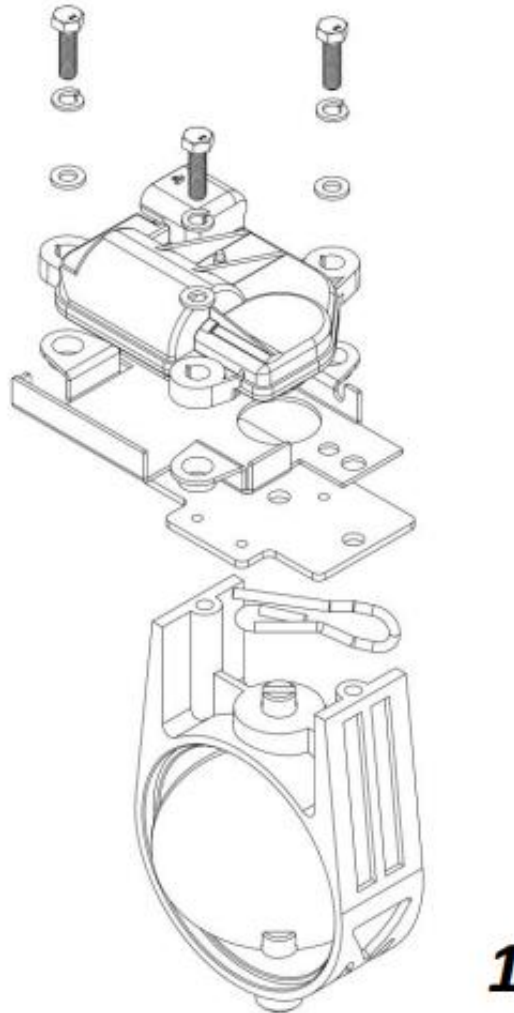
INSTALLATION INSTRUCTIONS

Cat-Back Exhaust

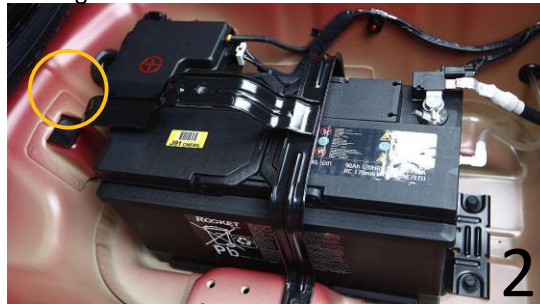
49-37024

MAKE: KIA
MODEL: Stinger
YEAR: 2022-2023
ENGINE: L4-2.5L (t)

11. Install the aFe Power Driver Side Tailpipe to the afe Power Driver Side Resonator using the supplied 2-1/2" Band clamp. Slide the hanger into the vehicle's Rubber Isolation Mount.
12. Install the aFe Power Passenger Side Tailpipe to the afe Power Passenger Side Resonator using the supplied 2-1/2" Band clamp. Slide the hanger into the vehicle's Rubber Isolation Mount.
13. Install the Exhaust Valve Motors to the afe Power Driver Side Tailpipe and aFe Power Passenger Side Tailpipe using the supplied hardware. **Refer to FIG 1 Below.**



14. Remove the trunk cover, spare tire, and tools from the trunk of the vehicle. Locate the drain plug and create a hole to run the wire harness through. **Refer to FIG 2.**





INSTALLATION INSTRUCTIONS

Cat-Back Exhaust

49-37024

MAKE: KIA
MODEL: Stinger
YEAR: 2022-2023
ENGINE: L4-2.5L (t)

15. In the battery compartment use a piece of Velcro on the control box to hold it to the battery. Run the wire ring terminals to the battery and run the rest of the wire through the drain plug highlighted in **FIG 2**.
16. Run the wiring harness above the heatshield on the driver and passenger side towards the valves on the aFe Power exhaust.
17. Connect the wire harness together. Organize any other loose wires and secure.
18. Connect the wire harness into the Exhaust Valve Motors.
19. Reinstall the Spare tire, tools, and trunk cover.
20. Ensure that all the components of the aFe POWER exhaust system are aligned and are at a safe clearance from all wires, hoses, brake lines, body parts, and tires.
21. Start from the front of the aFe exhaust system and evenly tighten all clamps and fasteners.
22. Start the vehicle and check for any leaks. If any leaks are found, determine the cause, and repair it as necessary.
23. Remove vehicle from jacks stands.
24. It is recommended to re-tighten all clamps and hardware after 50-100 miles.