

INSTALLATION MANUAL

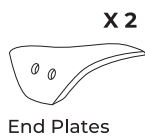
STINGER V3 CARBON FIBER REAR SPOILER

*Professional installation recommended

ENG.

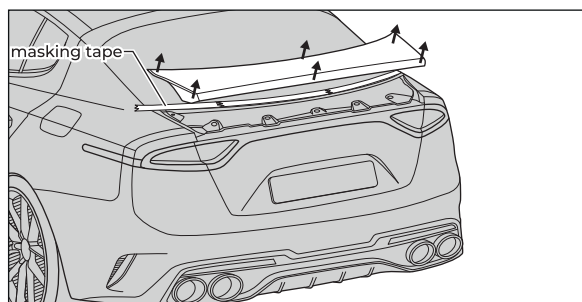
Page 1/3

INCLUDES

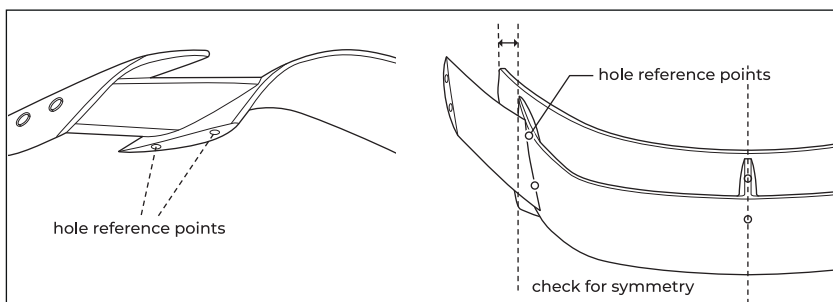


A. Prep

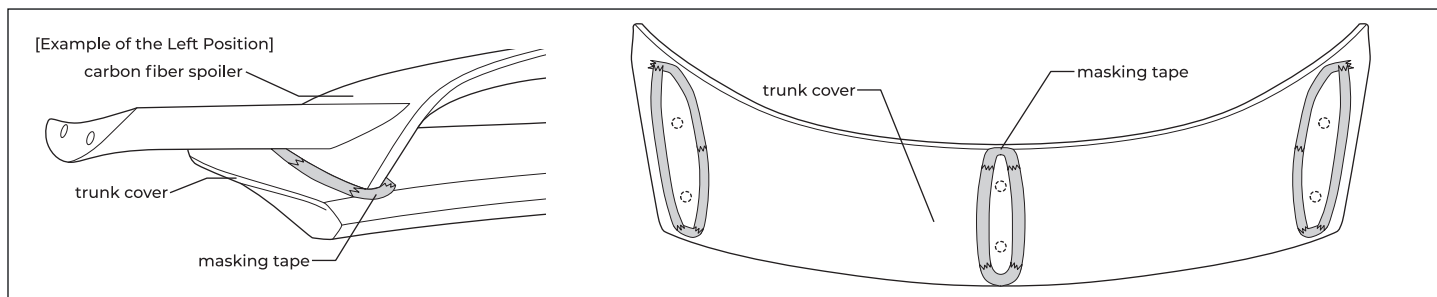
A-1. Apply masking tape to protect the rear glass and remove the trunk cover, as well as the nuts and other elements.



A-2. Position the carbon fiber rear spoiler over the trunk cover and check the alignment.

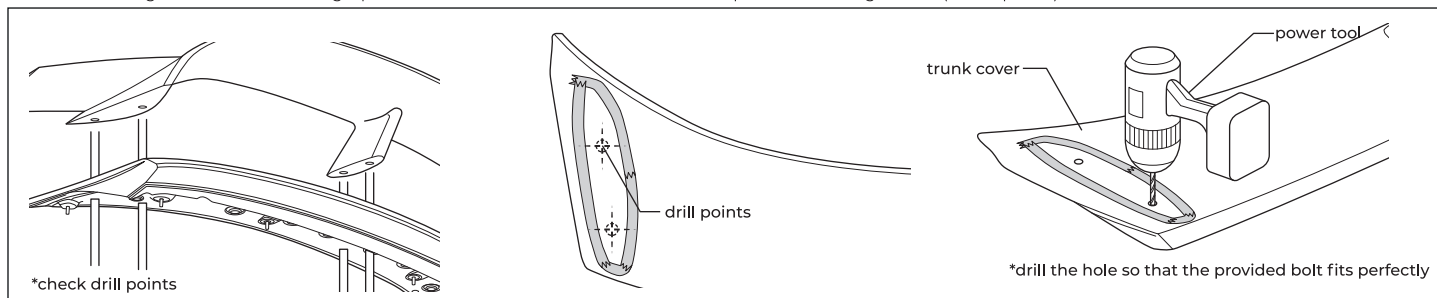


A-3. Mark the position with masking tape.

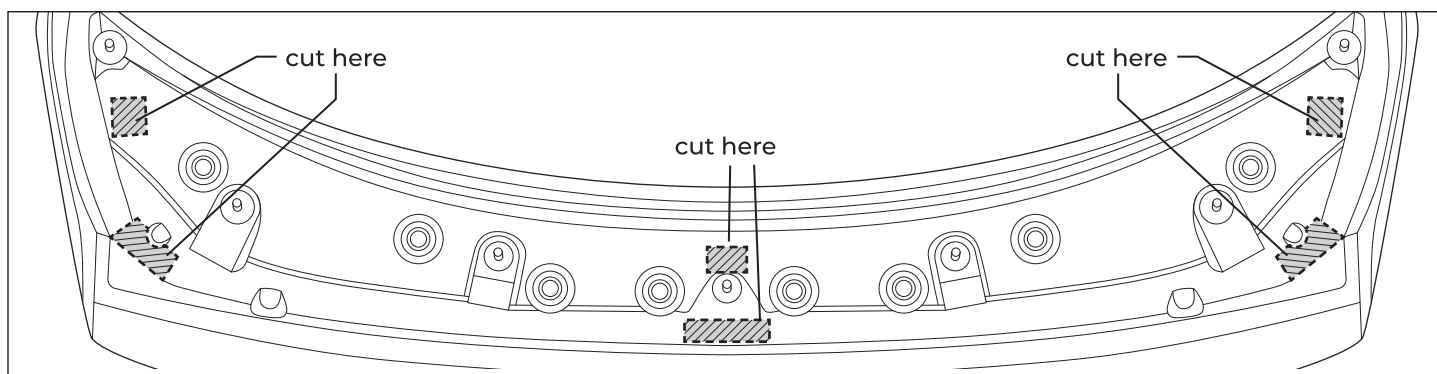


B. Drill

B-1. Drill through the trunk cover using a power tool to match the holes located on the spoiler's mounting surface (total 6 places).



B-2. Using either a grinder or a hole saw, cut through the bottom of the trunk cover in the areas shown below to create space for the hex bolts (total 6 places).



INSTALLATION MANUAL

STINGER V3 CARBON FIBER REAR SPOILER

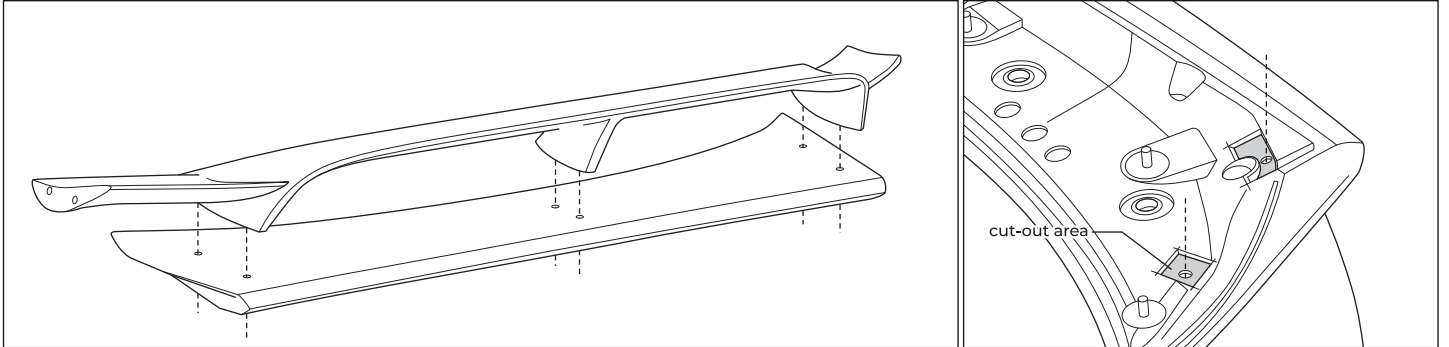
*Professional installation recommended

ENG.

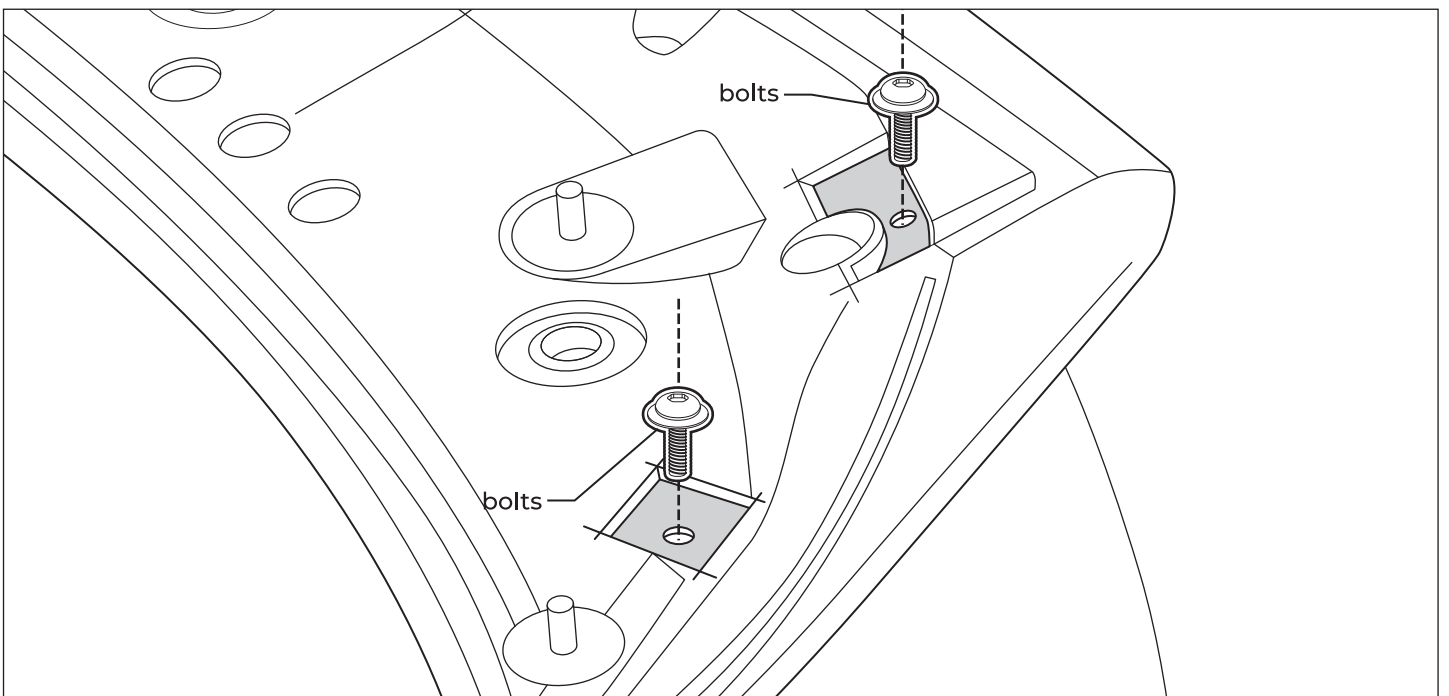
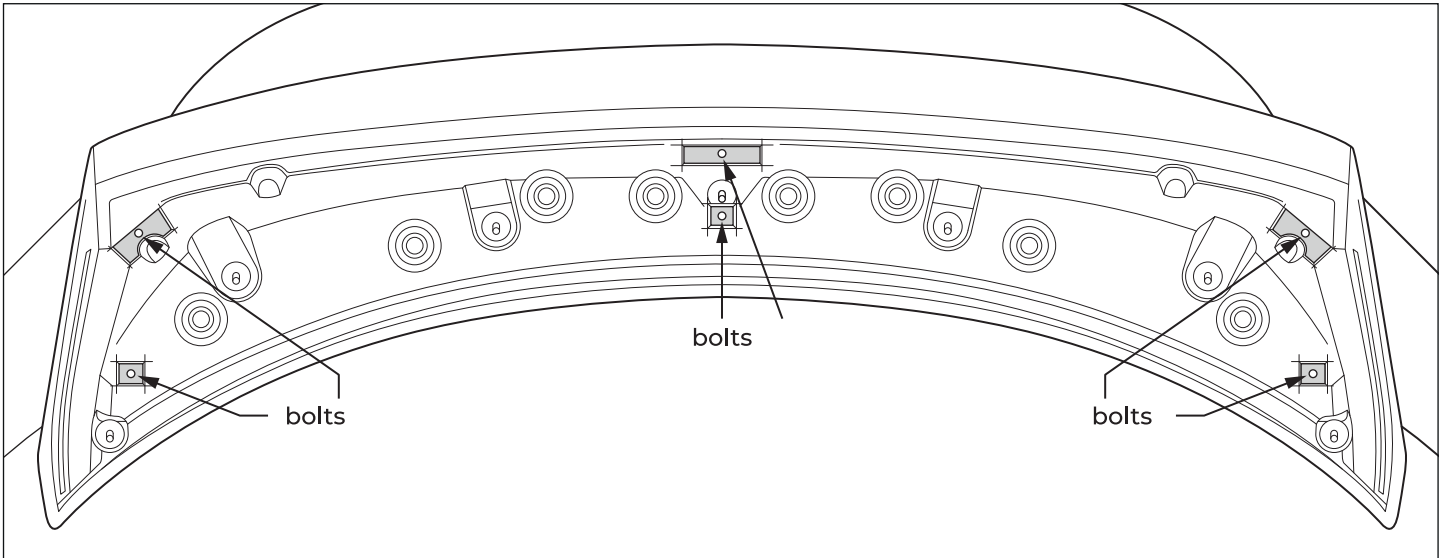
Page 2/3

C. Install

C-1. Remove the masking tape and position the spoiler over the trunk cover so that the holes line up.



C-2. Secure the spoiler to the trunk cover using the provided [bolts] and [washers] with appropriate torque.



INSTALLATION MANUAL

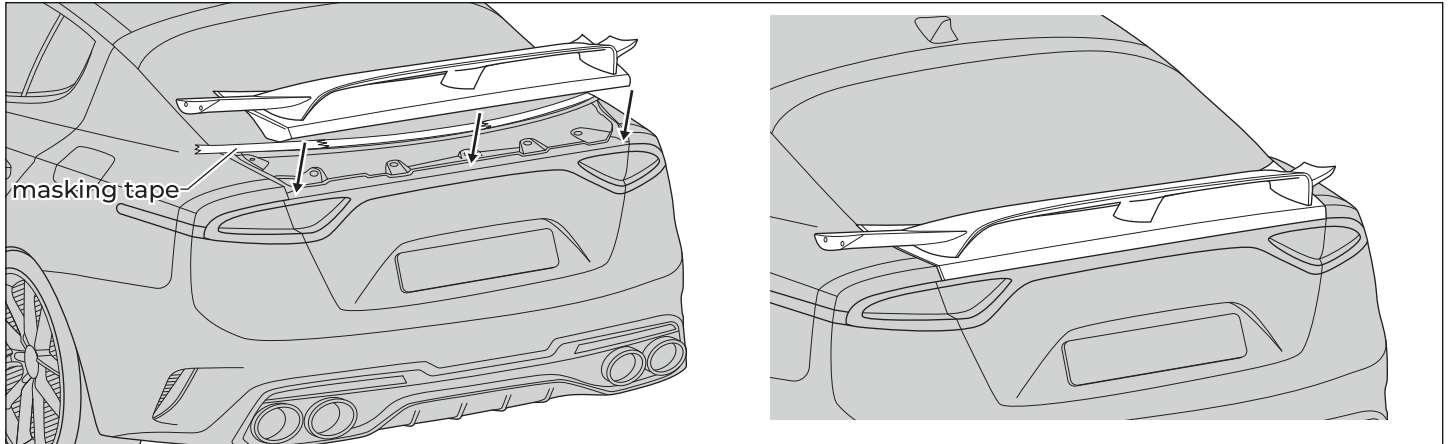
STINGER V3 CARBON FIBER REAR SPOILER

*Professional installation recommended

ENG.

Page 3/3

C-3. Reattach the trunk cover with the installed spoiler to the vehicle.



C-4. Remove the masking tape and secure the [end plates] in the correct position using the provided [hex bolts].
Note, that excessive torque can cause deformation and damage.

