



WWW.VENTRAY.COM

MASTICATING JUICER

OWNER'S MANUAL

Please keep this manual for future references. All pictures in this manual are for illustration purposes only. The actual product may differ.

Household use only.



CONTENTS

Important Safeguards.....2

Parts Diagram.....4

Using for the First Time.....5

Assembling Method.....5

Operation Instruction.....6

Disassembling Method.....7

Cleaning & Maintenance.....8

Deep Cleaning of Juicing Screw.....9

Storage.....10

Useful Tips.....10

Trouble Shooting.....11

Specifications.....12

Warranty.....13

IMPORTANT

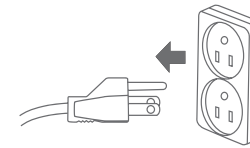


To avoid injury, read and understand the entire owner's manual before using this appliance.

IMPORTANT SAFEGUARDS

The following precautions are provided to ensure the safety of the user. Please carefully read through the precautions and exercise care when using the appliance.

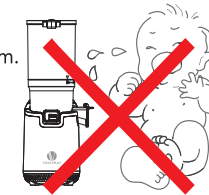
Unplug the power cord when not in use



Do not put fingers or other objects in to the feeding tube while it is in operation;
*It may cause injury



Do not keep or operate the appliance near infants or toddlers;
*It may injure them.



Do not put the juicer parts in the dish washer or extremely hot;
*The parts may wear faster.



Do not use the appliance on an uneven surface;
*It may cause a malfunction if the appliance tips over.



Do not use any hazardous chemicals to clean the appliance;
*It may change the color of the appliance or result in a fire.



Do not repair, disassemble the base, or customize the appliance;
*The appliance may not operate properly causing fire, electric shock, or injury.



Do not spray water or flammable sprays near the appliance
*It may cause an explosion or electrical shock.



IMPORTANT SAFEGUARDS

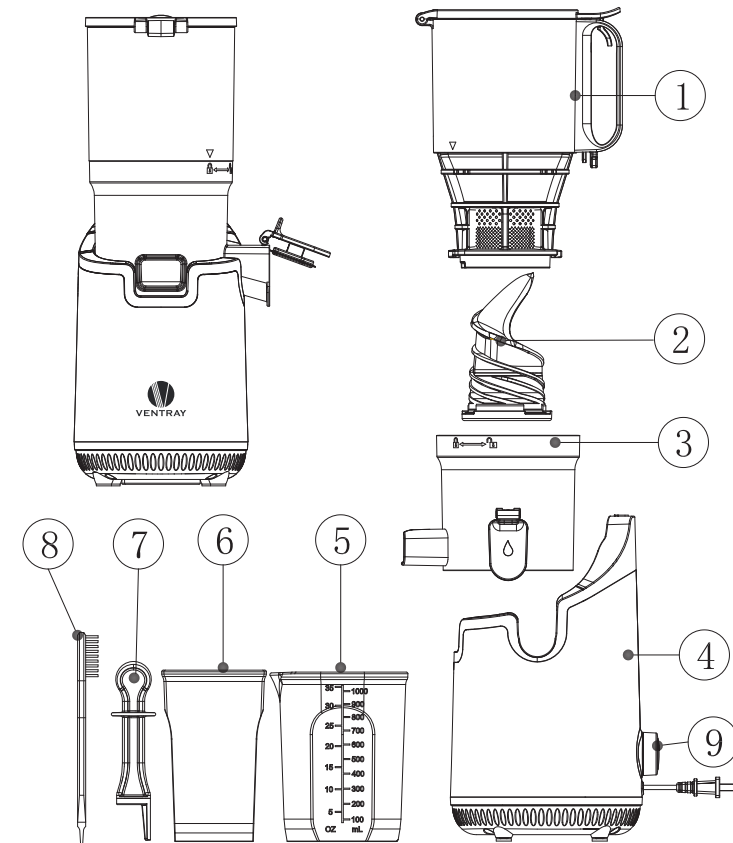


1. Ensure that the electricity supply matches the unit's specifications of 100-120V~50-60Hz.
2. This unit is for household use only. Do not use it outdoors or for any unintended purposes. The warranty is valid for consumers who use the product solely for personal, household, or non-commercial use. Commercial use of the product is explicitly excluded from this warranty.
3. Only use the unit as described in this manual.
4. To avoid electrical shock, never immerse the unit, cord, or plug-in water.
5. This is not a toy. Keep away from children and supervise its use near them.
6. Always unplug the unit when not in use, before assembling or disassembling, and prior to cleaning.
7. Limit continuous operation of this product to 20 minutes.
8. Avoid operating the machine without a load or when overloaded.
9. Do not touch or interfere with moving parts during operation.
10. Use only the provided pusher to insert fruits or vegetables into the machine's chute.
11. Never open the unit while it's operating.
12. Do not place the unit near explosives, ovens, or other hot surfaces.
13. Ensure the unit operates on a flat surface.
14. Avoid letting the cords dangle over the edge of tables.
15. Disconnect from the power socket by holding the plug.
16. If any part of the product is damaged, especially safety devices or the power cord, stop using it and have it repaired by a qualified technician.
17. This product is not meant for individuals, including children, with limited physical capabilities or cognitive challenges unless they are supervised by a responsible person.
18. The overall design of this juicer—comprising the main unit, components, and motor—is suited for home use and not intended for commercial use.

NOTE:

To prevent the risk of electric shock, please unplug the unit from the power outlet when it is not in use or prior to cleaning. If the supply cord appears damaged, cease using it immediately and take it to a service center for repairs.

PARTS DIAGRAM



1	Jumbo Feed Chute	6	Pulp Cup
2	Juicing Screw	7	Pusher
3	Juicing Bowl	8	Cleaning Brush
4	Base	9	Switch
5	Juice Cup		

USING FOR THE FIRST TIME

1. Remove all packaging materials, plastic bags, and labels.
2. Ensure the electricity supply matches 100-120V~50-60Hz.
3. Clean the jumbo feed chute, juicing screw, juice cup, pulp cup, juicing bowl, and pusher with soapy water. Rinse and dry thoroughly.

NOTE: DO NOT IMMERSE THE POWER BASE UNIT IN WATER.

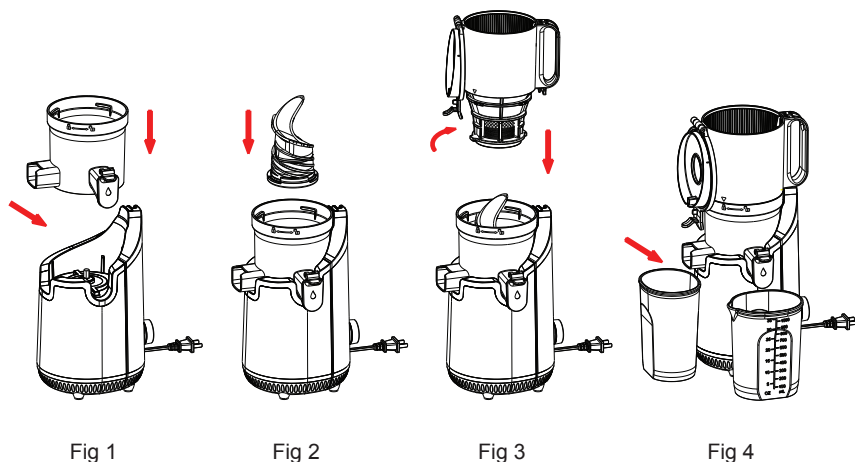
4. Assemble the parts as instructed in the assembly section.
5. Connect the power cord to a power source.

The unit is ready to use now.

ASSEMBLING METHOD

Before assembling, ensure the unit is unplugged and the switch is set to the "Off" position.

1. Place the juicing bowl on the base, ensuring the spouts and axle align. (Fig 1)
2. Insert the juicing screw firmly into the bowl's center. Ensure it reaches the bottom; otherwise, the cover may not close. (Fig 2)
3. Position the chute on the bowl to align the ▲ (Arrow) to the "🔓" (Unlock Graphic) and twist it clockwise until it clicks the safety lock. Please make sure that the ▲ (Arrow) on the cover aligns with the "🔒" (Lock Graphic) on the bowl. (Fig 3)
4. Place the juice cup and the pulp cup under the relevant spouts. (Fig 4)



OPERATION INSTRUCTION

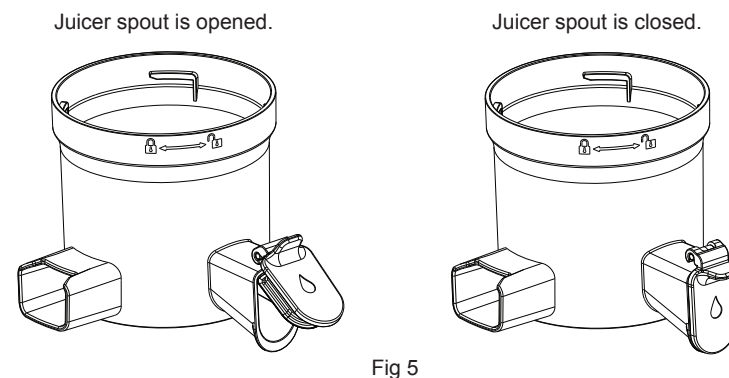
1. Connect the power to the unit.
2. Confirm that all parts are correctly assembled.
3. Ensure the machine's switch is in the "Off" position.
4. Position the juice and pulp containers appropriately.
5. Ensure the juicer spout cover is closed.
6. Prepare the fruits or vegetables by cutting them into strips (5cm x 2cm) or cubes (5cm x 5cm).
7. Feed the prepared pieces into the chute.
8. Turn the switch to "ON" to start juicing.
9. Only use the provided pusher to press the food down.
10. If food gets stuck, switch to the "REV" position immediately.

NOTE:

1. Please refrain from using the juicer for more than 20 minutes continuously.
2. This juicer is not suitable for commercial use.

OPEN & CLOSE OF JUICER SPOUT COVER

For an optimal juicing experience, we recommend keeping the juicer spout open to allow fresh juice to flow out immediately after extraction, ensuring that the pulp remains separated from the juice. (Fig 5)



BENEFITS OF DRIP-STOP COVER:

1. To stop dripping at the end of the juicing process, making kitchen cleanup easier and preventing residual juice from leaking out.
2. To mix the juice with different fruits and vegetables.

USAGE TIPS:

1. Remove hard pits or seeds before juicing to avoid damaging the juicer.
2. Start with harder fruits when making mixed juices, followed by softer ones.
3. Allow the juicer to run for 30 seconds after the last ingredient is added.

ATTENTION:

This juicer isn't suitable for very hard or fibrous fruits or vegetables like sugarcane. Avoid juicing fruits that are dense in fiber, such as avocados, bananas, figs, mangos, papayas, dragon fruits, seedless grapes, and strawberries. They will clog up the stainless-steel sieve.

DISASSEMBLING METHOD

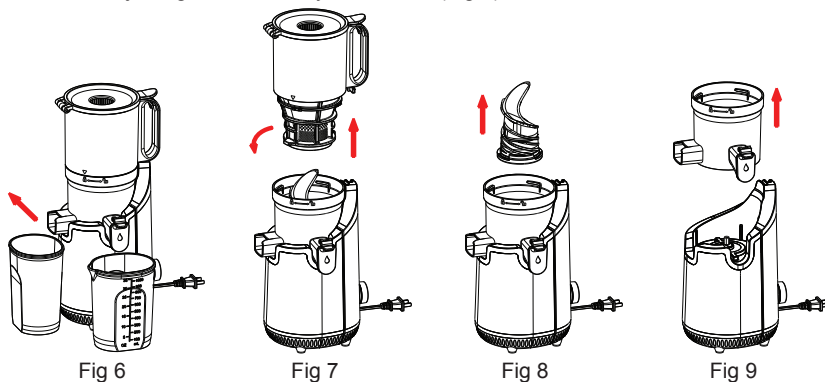
NOTE:

If the juicer overheats, it will automatically shut off to protect the machine. In this situation, please switch the juicer off by selecting the "Off" option. Allow the juicer to cool down for 10 minutes before turning it back on.

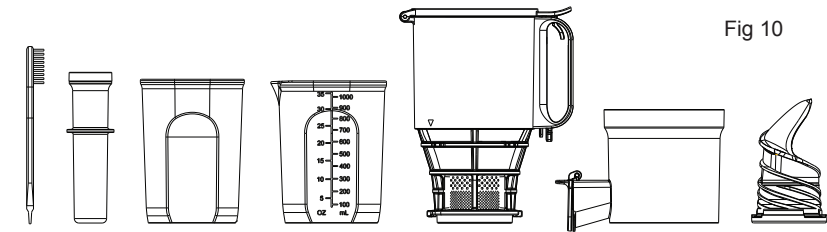
To disassemble the unit after use and before cleaning. Please turn the juicer to the "Off" position and disconnect the juicer from the power source.

Then, please follow the steps below:

1. Remove both the juice and pulp cups. (Fig 6)
2. Remove the chute. Turn the chute anti-clockwise until the ▲ (Arrow) aligns with the "🔒" (Unlock Graphic) sign. (Fig 7)
3. Pull out the juicing screw. If it's tight, gently wiggle it while pulling. (Fig 8)
Lift the juicing bowl vertically to remove. (Fig 9)



CLEANING & MAINTENANCE



1. Unplug the juicer and turn it off.
2. Wash the disassembled parts (Fig 10) with water. If the meshes are clogged with pulp, please use the provided cleaning brush to remove the dregs.

IMPORTANT:

Please wash the juicing parts immediately after each use to prevent the pulp from sticking tightly to the Juicing Bowl and Juicing Screw. This will help maintain the efficiency of disassembly, cleaning, and juicing performance.

Attention:

- Do not use iron wire brushes or abrasive tools.
- Avoid using water hotter than 40°C.

3. In case there are any residues remaining in the mouth of the pulp spout, please pull out the compression silicone as shown in (Fig 11) below and clean it under running water.

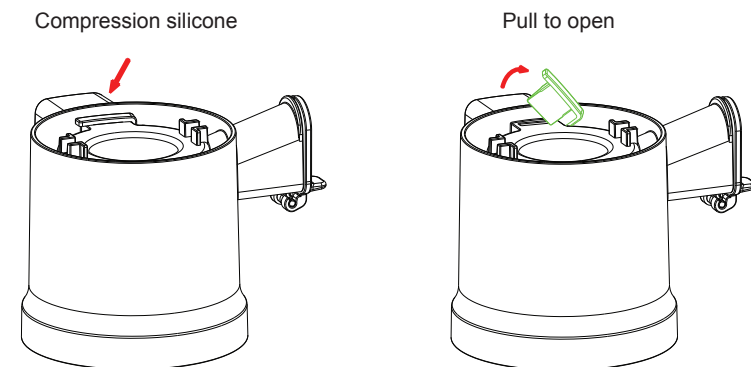
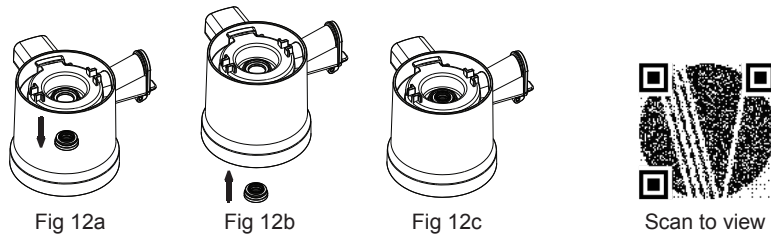


Fig 11

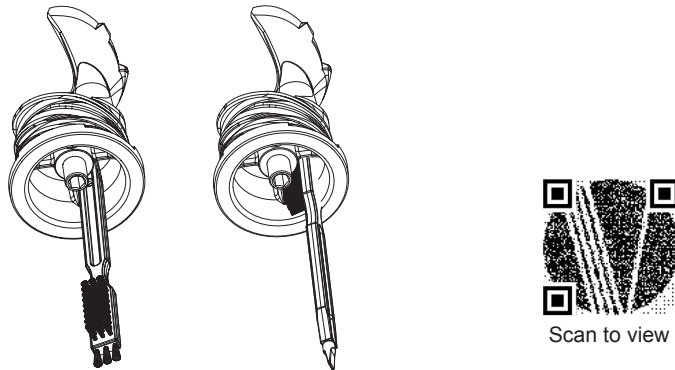
PRESS THE COMPRESSION SILICONE TO CLOSE IT PROPERLY AND TIGHTLY AFTER CLEANING.

4. To clean the compression silicone in the juicing bowl:
 - a. Turn the juicing bowl upside down for easier handling, push the compression silicone out with your thumb (Fig 12a), and clean it with water.
 - b. After cleaning, please put it back in the center hole. The small, ribbed surface should face upward (Fig 12b). Make sure the groove of the compression silicone well fits in the juicing bowl.
 - c. The flat side of the compression silicone should be inside, while the ribbed side is outside the juicing bowl. (Fig 12c)



5. Wipe the base with a damp cloth.
6. After cleaning, dry all parts and store in a dry, cool place.

DEEP CLEANING OF JUICING SCREW



1. First, use one side of the cleaning brush to remove any remaining pulp from the inside of the juicing screw.
2. While rinsing with water, use the side with the brush head to clean the inside of the juicing screw.

STORAGE

1. Clean and maintain the unit as instructed before storing.
2. Organize the power cord.
3. Store out of children's reach.
4. Keep the unit and its accessories in a dry, cool place.

NOTE:

Please ensure that the unit and its parts are dry before storing them.

USEFUL TIPS

Item	Warning	Reason
1	Avoid ice cubes.	They're too hard and could damage the juicer.
2	Ingredients with long fibers should be cut into 5-10 cm thin strips or 3 x 3 cm cubes.	Long fibers can clog the spout.
3	Remove peels and seeds from citrus fruits and melons.	Hard seeds can damage the juicer, and peels might block the pulp spout.
4	Only use the provided pusher.	Other tools can damage the juicer and cause injuries.
5	Limit each juicing cycle to 20 minutes.	Extended operation can harm the motor.
6	Avoid inserting spoons or chopsticks into the chute or spouts.	They can damage the juicer.

TROUBLE SHOOTING

Trouble	Cause	Solutions
The juicer stops running suddenly.	Too many ingredients have been added to the juicer.	Switch to the "REV" position immediately to reverse the ingredients. If the machine still doesn't run, clean it before using it again.
	Hard fruits or vegetables haven't been cut into small pieces.	Hard fruits and vegetables, such as carrots, should be cut into thin strips or small cubes before being placed into the chute.
The juice yield is low, or juice is leaking from the main housing.	The bowl and the compression silicone might not be installed correctly.	Please refer to the installation instructions and ensure the bowl and compression silicone are properly installed.
Abnormal noise.	The sound may be caused by the squeezing of fruits and vegetables.	This is a normal occurrence due to the extrusion of fruits and vegetables.
Can not open chute & strainer.	There's an excess of pulp inside the bowl.	Use the "REV" setting to eject the pulp.
	There are hard foods lodged inside.	Use the "REV" setting to eject the obstructing item.
	The pulp is causing a blockage.	Pour water into the chute and let it sit overnight to soften the stuck pulp.
The container & accessories are stained after use.	The staining is from the natural colors of certain fruits and vegetables.	This is a natural occurrence and is unavoidable.

SPECIFICATIONS



What's in the box



Juice Cup



Pulp Cup



Juicing Screw x 2



Cleaning Brush



User Manual



Recipe Book

Product	Ventray Masticating Juicer
Model	Ventray 900
Voltage	100-120V~50-60Hz
Power	250W
Juice Cup Capacity	1000 ML
Pulp Cup Capacity	900 ML
Dimension	209.5x200.5x436.5MM / 8.2x7.9x17.2IN
Net weight	3.4KG / 7.5LBS



MASTICATING JUICER

LIMITED WARRANTY



We'd like you to know...
awesome support comes standard with all
Ventray products.
**If you ever consider returning this product,
contact us first at:**

www.ventray.com/support

Register now to activate the

1 Year Warranty

for your Ventray product at

www.ventray.com/warranty

*1 year limited warranty. Terms and conditions apply. For complete warranty terms, conditions and claims,
please visit our website at <http://www.ventray.com/warranty>, or contact your local distributor.

