



# Valves

Fast response times, high flow, balance and reliability are inherent benefits of MAC's pneumatic product design. MAC pneumatic valves have been proven to optimise cycle time and improve reliability in the harsh operating conditions associated with industry.

*Flow rates up to Cv 60*



*Fast, repeatable response times irrespective of line pressure*

3 Way Valves				4 Way Valves			
Small		Large		Small		Large	
Series	Cv	Series	Cv	Series	Cv	Series	Cv
31	0.06	52	1.5	23	0.23	82	1.3
32	0.40	53	2.0	24	0.40	83	1.5
33	0.08	54	4.1	27	1.0	92	1.2
34	0.12	55	2.2	41	0.03	93	3.8
35	0.17	56	5.7	42	0.40	800	1.4
35L	0.17	57	17.4	43	0.07	1300	15.9
36	0.30	58	26.0	44	0.10	1800	1.4
72	0.40	59	60.0	45	0.15	2700	15.6
37	0.50	67	20.0	46	0.30	6300	3.0
38	1.2	68	31.0	47	0.50	6500	5.1
77	1.0	69	60.0	48	1.1	6600	9.6
100	0.18			400	1.0		
200	0.50			700	0.70		
1100	0.18			900	1.2		
BV	0.07						

ISO - Solenoid Operated Valves					
Series	ISO 01	ISO 02	ISO 1	ISO 2	ISO 3
Flow Cv	1.0	0.43	1.8	3.0	6.1
Port Size	1/4"	1/8"	1/4"-3/8"	3/8"-1/2"	1/2"-3/4"

Proportional Pressure Controller - Solenoid Operated Valves										
Series	PPC810A	PPC5C	PPC34B	LCP35A	PPC036A	PPC36B	PPC47A	PPC400	PPC92B	PPC93A
Flow Cv	0.05	0.07	0.07	0.10	0.25	0.25	0.72	1.3	2.0	6.2
Port Size	1/8"-5/32"	1/8"	1/8"	1/8"	1/8"-1/4"	1/8"-1/4"	1/4"	1/4"	3/8"	1/2"-3/4"

*Lifetime*



# Valves that don't stick

100%  
OF  
PRODUCTION  
TESTED  
100%

WARRANTY  
18  
MONTHS



Port sizes from 3mm to 2 1/2"

80 active patents

## Field bus products

All protocols available



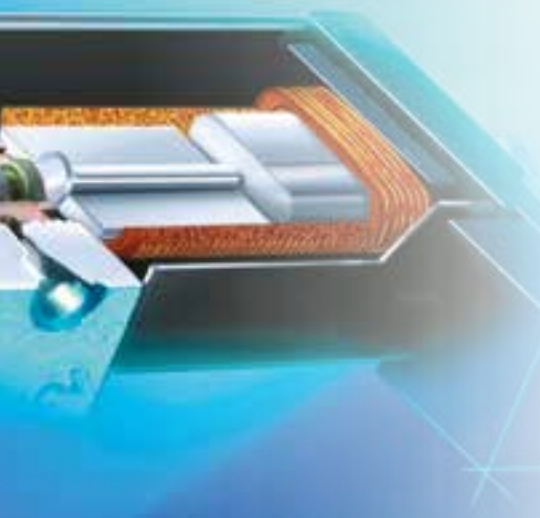
## Proportional Pressure Controller



*guarantee on coils*

## Bullet valves (BV) Series

The BulletValve™ represents the latest in air valve technology



# Cylinders & Actuators



Manufactured in our workshops (while you wait service).  
These cylinders comply dimensionally with the ISO 6431/VDMA international standard.

## ISO 6431 VDMA 24562 Air Cylinders

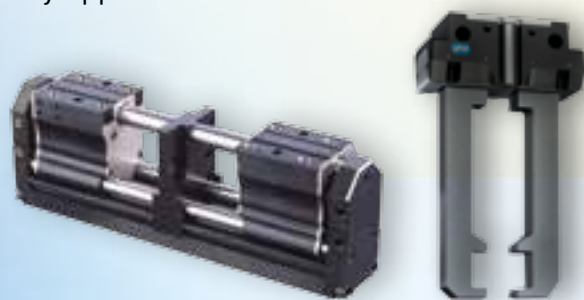


**Bore sizes 32mm to 200mm**



## Grippers

We offer a wide selection of grippers with a variety of jaw styles to adapt to any application.



**Grip force up to 10,000N**

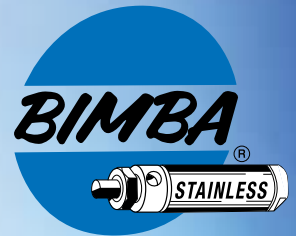


## Rotary Actuators

- Bore sizes: 8mm - 80mm
- 3 position
- Rotation up to 1080°







**Stainless Steel Actuator  
with Delrin® ends**

- For corrosive environments



**PCE Air Cylinders**

**Round Line –  
Original Line**

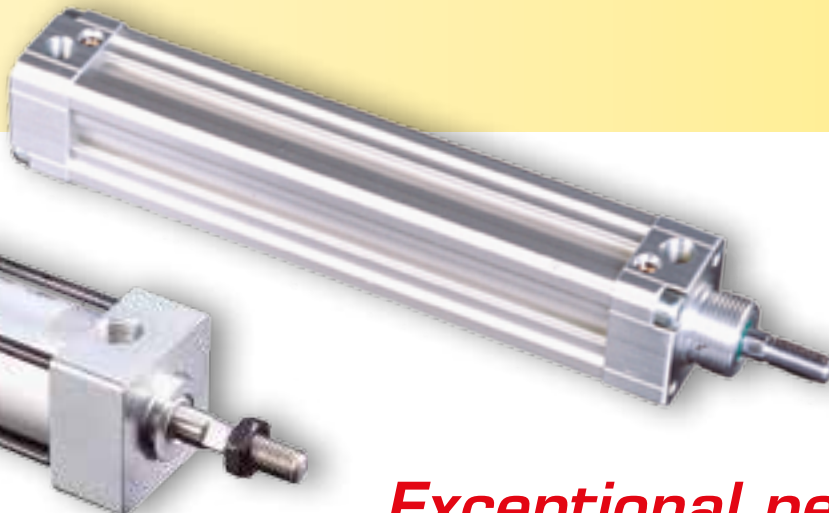


**NFPA Heavy Duty Cylinders**



**Variety of bore sizes –  
imperial and metric**

**CV ISO/VDMA Cylinders**



**Tom Thumb Cylinders**

**Exceptional performance**

# Rodless Cylinders

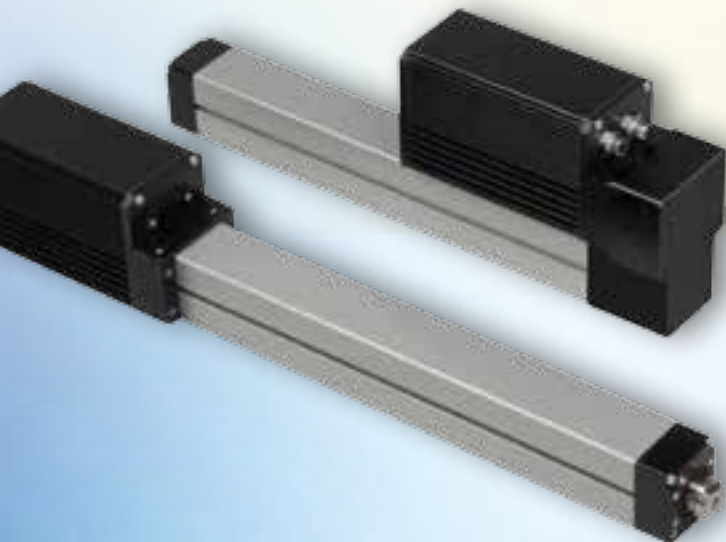
A step ahead of other Rodless band type cylinders. Patented features include load-bearing carrier system for longer service life. Heavy duty stamped steel piston bracket and non-magnetic band retention system.

*Space saving advantages*

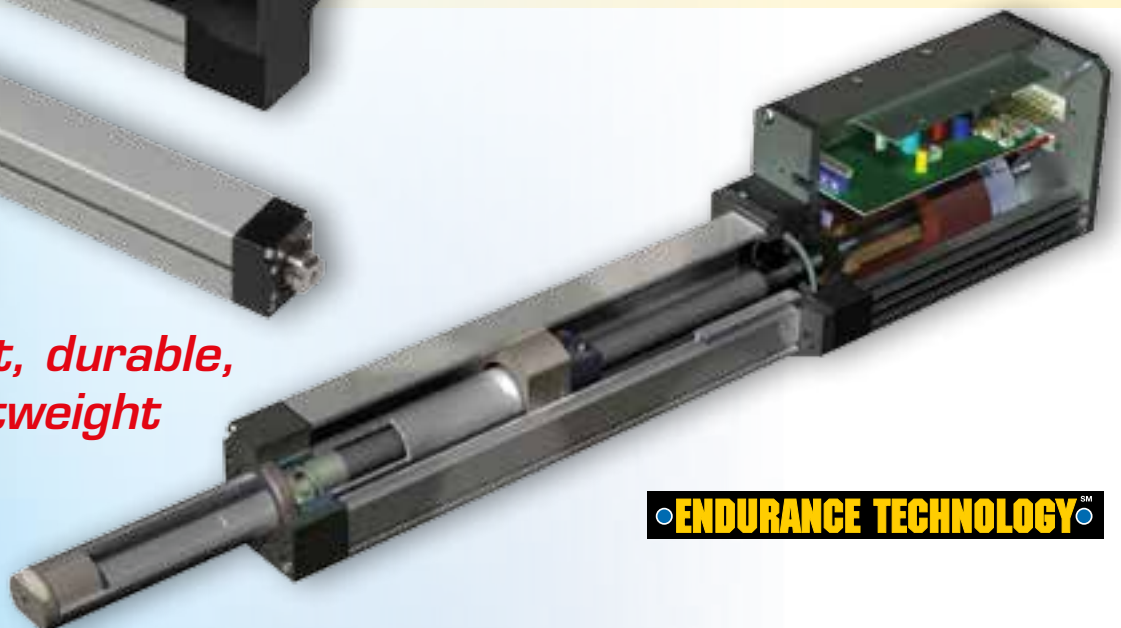


# Electric Actuators

The Smart Actuator is a controller, drive and motor integrated into one compact, durable, lightweight actuator. Designed for simple extend and retract operation, the ICR Basic can easily be installed and set up by anyone familiar with pneumatic or hydraulic cylinders.



*Compact, durable, and lightweight*



**ENDURANCE TECHNOLOGY** SM

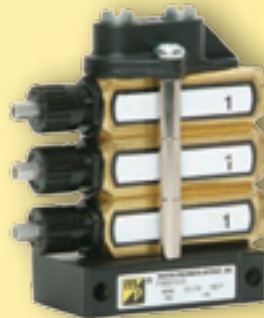


# Air Service Units



**Filters, Regulators and Lubricators**

*7 Year Warranty*



*Port sizes from 1/8" to 2"*

## **Precision Lubrication**

Serv-Oil is the most advanced system for precision lubrication of all kinds of pneumatic equipment, bearings, slides, chains etc.



**Pneutech**  
Pneumatics Australia

# Vacuum Equipment

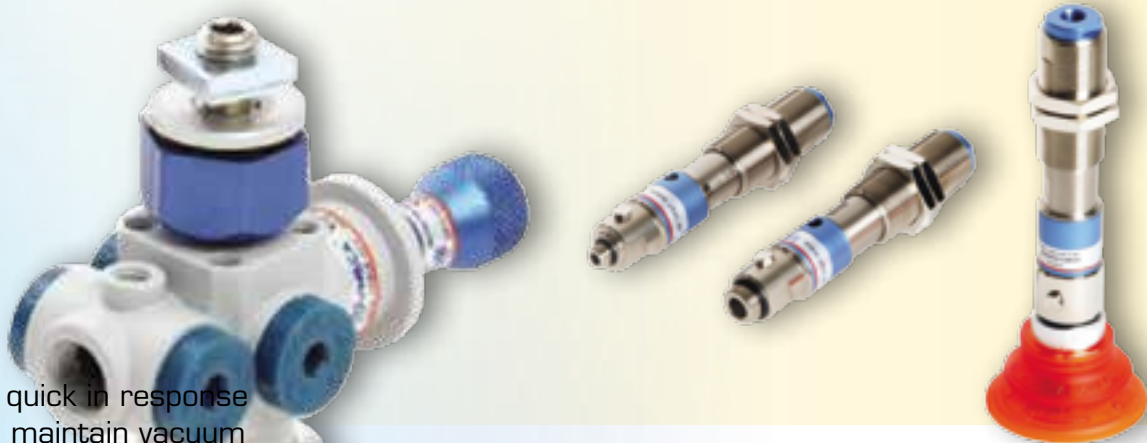
## Suction Cups

Wide range of suction cups varying in different shapes, sizes, materials, and configuration to fit your application needs.



## Vacuum Speeder

Extremely quick in response and it can maintain vacuum despite fluctuations and/or drops in air pressure.



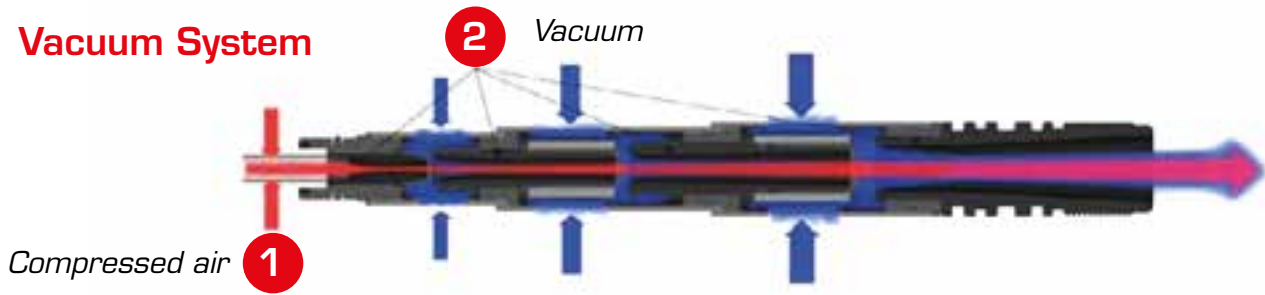
## Vacuum Pumps

*Compact size and light weight*





**Vacuum System**



**High performance**

**Low air consumption multi-stage vacuum technology**



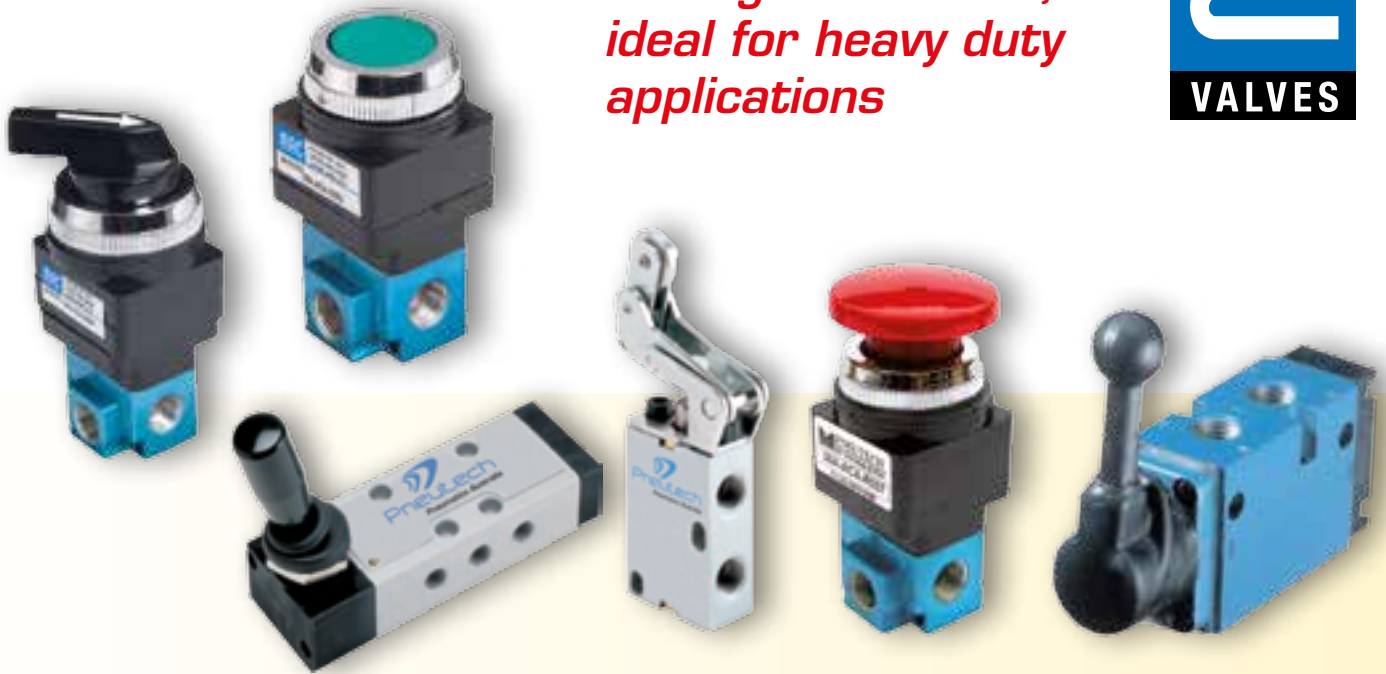
**Increase throughput**



# Mechanical Valves

A comprehensive range of mechanical and hand operate valves.

*Strong and robust,  
ideal for heavy duty  
applications*



# Ancillary items

We have a complete range of screwed brass fittings, silencers, mufflers, exhaust restrictors, silencers and many more ancillary items to meet your needs.





# Clamps

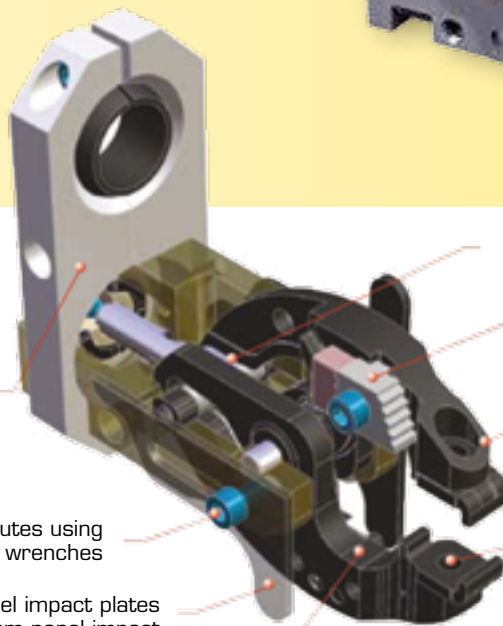


**Highest grip forces**



**Improved throughput**

**Superior part holding**



cam design locks clamp in the closed position ensuring part retention if air pressure is lost

adjustable rotation stop allows for multiple jaw openings in one clamp

interchangeable hardened-steel jaws minimize costly inventory and maximize wear resistance for long life

self locking internal threads throughout eliminate need for thread locking adhesives or additional locking components

fixed or spherical mounting brackets for side or rear mounting

field repairable in 10 minutes using metric hex wrenches

adjustable hardened-steel impact plates eliminate damage to body from panel impact

wide and deep jaw throats accommodate difficult clamping applications

**Perfect for harsh environments  
– protected against weld slag**

# Process Valves

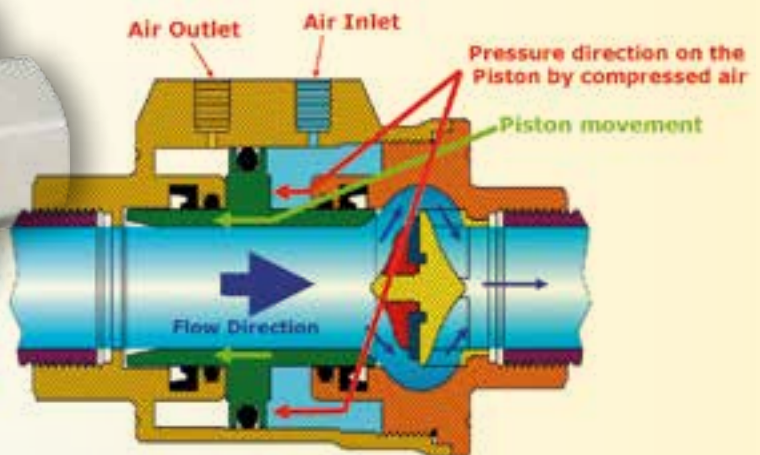


*Wide variety of quality materials to satisfy most applications:*

- 316 stainless steel
- Cast iron
- Brass
- Carbon Steel
- Bronze
- P.V.C.



**ON - Position**



*Improved fluid dynamics allow minimum pressure losses*





# Fittings



Insist on the best PUSH-IN fittings – poor quality will cost you more in production down time.

- Tube fittings
- Vacuum devices
- Tubing
- Pressure control
- Regulators and Filters
- Energy chain
- Flow control



*Innovative, high quality, technically advanced pneumatic components*



*Plarail "Energy Chain"*

# Electrical Connectors

*Extensive range available*



# Shock Absorbers

Enertrols shock absorbers are quite simply the best and most cost-effective means to stop a moving object.



*Heavy duty design*

*“Free sizing and selection software”*



**Elastomeric Bumpers**



Let us show you via high performance demonstration kits and animated software:

**How MAC's performance advantages help make your equipment more**

- **Reliable**
- **Faster**
- **More Repeatable.**



#### **TLD**

Traveling Lab Demonstration measures critical valve performance characteristics – Shifting forces, Response Time, Speed, Repeatability and Flow.

#### **PLD**

Proportional Lab Demonstration measures critical proportional regulation characteristics – Response Time, Accuracy, Hysteresis, Repeatability and Flow.

#### **Animation**

Animated Software shows inner workings of various Air Valve Designs – Powerful educational tool for learning about how air valves function.

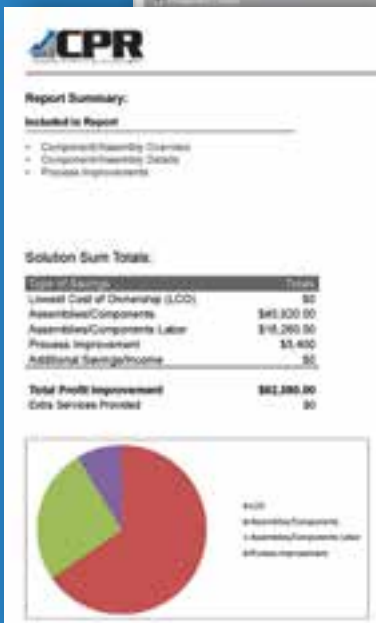


*Valves that don't stick*



Customer  
Profit  
Reinforcement

CPR® = Supplier-Assisted LEAN Manufacturing



### CPR® solution software

Shows our customers how to:

- Evaluate, diagnose and treat problems
- Reduce total operating costs
- Build stronger profits.

Call for a free CPR® evaluation today.



HEAD OFFICE  
T > 1300 879 613 F > 03 9879 6366  
E > sales@pneutech.com.au W > pneutech.com.au  
3 Argent Place, Ringwood Victoria 3134 Australia

