

Features

- * Pilot acting for low starting pressure.
- * Large flow rate.
- * Quick response.
- * Specially for steam use.
- * Ex-proof coil T4 as optional accessory.
- * Timer for setting on/off time as optional accessory
- * Coil nut is available, please refer to page 7-6.



How to order

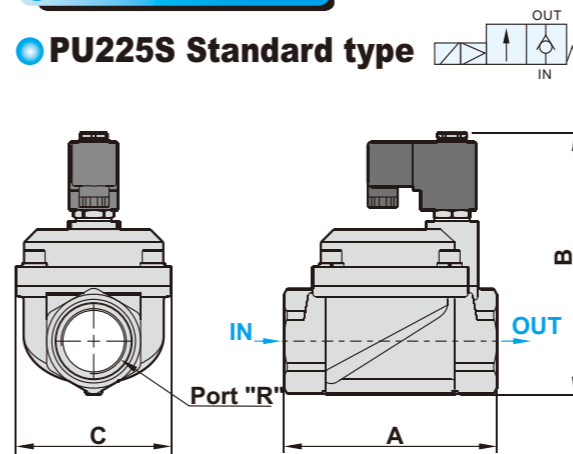
PU225	S	F	12	N	S	1	LED	E
Brass 2/2 way pilot acting	Series	Flange type	Port size	Thread	Solenoid	Voltage	LED	Ex-proof coil
	S Steam series	F 10K F3 150LB F4 PN16	12 1-1/4" 14 1-1/2" 20 2"	Blank G N NPT R Rc		1 110VAC 2 220VAC 9 24VDC	Blank/W/O LED	

Specifications

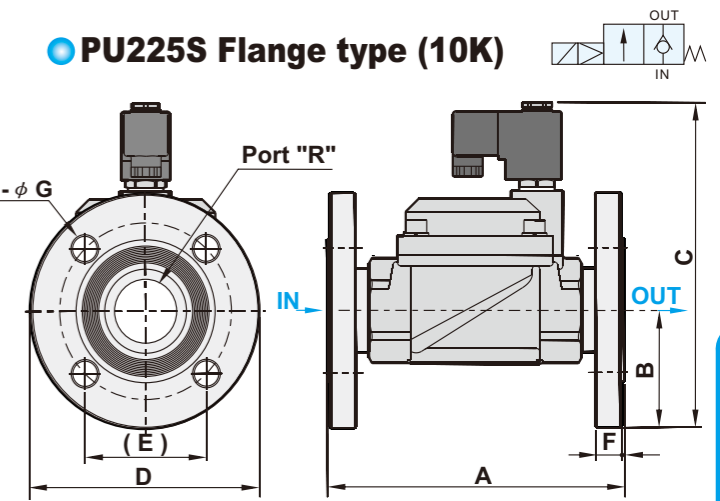
Model	PU225S-12	PU225S-14	PU225S-20
Port size	1-1/4	1-1/2	2
Fluid	Compressed air, Hot water, Steam		
Orifice	40mm	40mm	50mm
Effective area	552mm ²	600mm ²	984mm ²
Acting	Pilot acting		
Construction	Piston		
Operating pressure range	0.5 ~ 10 kgf/cm ²		
Proof pressure	30 kgf/cm ²		
Body material	Forged brass		
Piston ring	Copper		
Fluid temperature	-10°C ~ 180°C		
Ambient temperature	-20°C ~ 60°C		
Installation	Horizontal		
Duty cycle	100% ED		
Coil type	DIN		
Protection class	IP65 (DIN 40 050)		
Insulation class	F (Opitin: H class coil)		
Voltage tolerance	±10%		
Standard voltage	220VAC, 110VAC, 24VDC The other voltage is optional		
Power consumption	AC110V:17.6VA, AC220C:18.1VA, DC: 15W		
Net weight	3490g	3450g	4660g

Dimensions

PU225S Standard type



PU225S Flange type (10K)



Model	R	A	B	C
PU225SF-12	1-1/4"	131.5	161.5	96
PU225SF-14	1-1/2"	131.5	161.5	96
PU225SF-20	2"	160	174.3	112

Model	R	A	B	C	D	E	F	G
PU225SF-12	1-1/4"	182.5	70	205	140	74.5	16	15
PU225SF-14	1-1/2"	182.5	70	205	140	74.5	16	15
PU225SF-20	2"	212	77.5	212.3	155	85	16	19

Explosion

