

### Features

- \* Direct acting.
- \* Quick response.
- \* Timer for setting on/off time as optional accessory.
- \* Ex-proof coil is available, please refer to page 7-7, 7-8.
- \* Coil nut is available, please refer to page 7-4, 7-6.



### How to order

<b>PU220</b>	<b>AR</b>	<b>V</b>	<b>- 01</b>	<b>N</b>	<b>- S</b>	<b>1</b>	<b>LED</b>	<b>E1</b>
Brass 2/2 way direct acting	Series AR Square body	Diaphragm Blank NBR V VITON E EPDM H HNBR	Port size 01 1/8" 02 1/4" 03 3/8"	Thread Blank G N NPT R Rc	Solenoid	Voltage 1 110VAC 2 220VAC 9 24VDC	LED Blank W/O LED	Ex-proof coil Blank DIN E1 EX-proof 22mm width E2 EX-proof 30mm width E3 EX-proof CSA standard E4 EX-proof 36mm width <small>PU220AR-03 is only available for E4 ex-proof coil.</small>

### Specifications

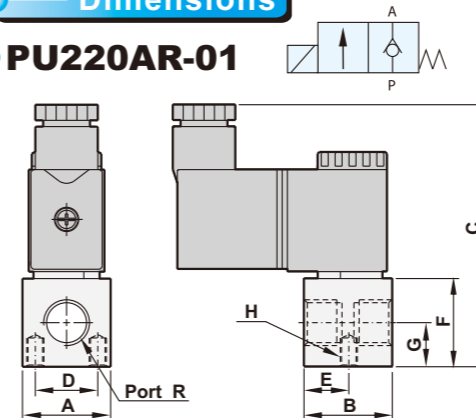
Model	PU220AR-01	PU220AR-02	PU220AR-03
Port size	1/8"	1/4"	3/8"
Fluid	Compressed air (light oil, water)		
Orifice	1.5mm	2.3mm	8.0mm
Effective area	1.8mm <sup>2</sup>	3.3mm <sup>2</sup>	20.64mm <sup>2</sup>
Acting	Direct acting		Assisted lift
Construction	Gasket		Diaphragm
Operating pressure range AC	0 ~ 8.5 kgf/cm <sup>2</sup>		
Operating pressure range DC	0 ~ 7 kgf/cm <sup>2</sup>		
Proof pressure	10 kgf/cm <sup>2</sup>		
Body material	Forged Brass		
Fluid temperature	-10°C ~ 90°C		
Ambient temperature	-10°C ~ 60°C		
Installation	Any direction (Horizontal is recommended)		
Duty cycle	100% ED		
Coil type	DIN		
Protection class	IP65 (DIN 40 050)		
Insulation class	F		
Voltage tolerance	±10%		
Standard voltage	220VAC, 110VAC, 24VDC The other voltage is optional		
Power consumption	AC: 6.0VA, DC: 4.8W		AC110V:17.6VA, AC220V:18.1VA, DC: 15W
Net weight	175g	255g	510g

### Seal material selection guide

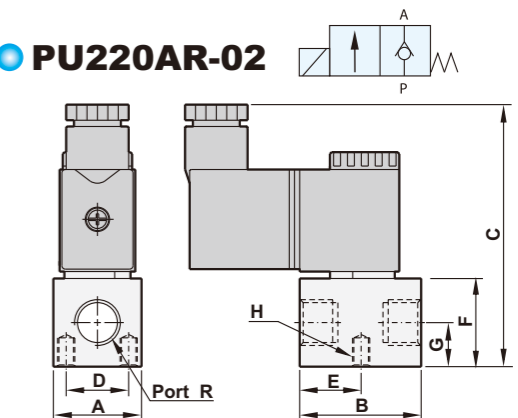
Seal	Temperature range	Suitable fluid	Unsuitable fluid
NBR	-15°C ~ 80°C	Air, Water, Neutral gases, Mineral oil	Fuel oil, Gasoline and Hi-test gasoline, Diesel fuel
HNBR	-40°C ~ 150°C	Air, Water, Gear oil, Engine oil	Pharmaceutical liquid, Gasoline and Hi-test gasoline, Light oil
VITON	-10°C ~ 180°C	Fuel oil, Gasoline and Hi-test gasoline, Diesel fuel	Hot water, Steam, Brake oil (ATE Blue)
EPDM	-5°C ~ 130°C	Hot water, Detergent liquid	Mineral oil, Gasoline

### Dimensions

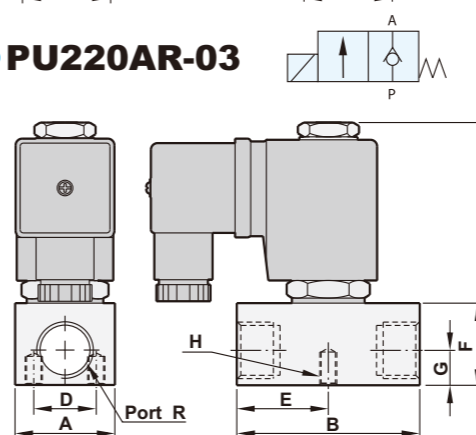
#### PU220AR-01



#### PU220AR-02

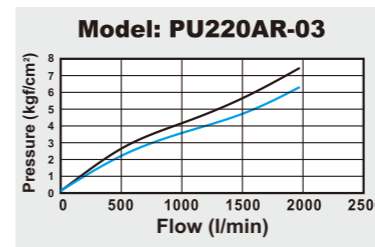
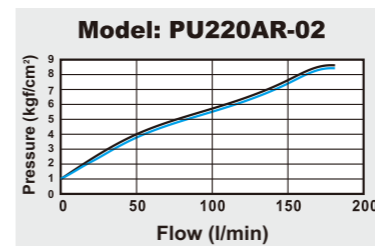


#### PU220AR-03



Model	PU220AR-01	PU220AR-02	PU220AR-03
R	1/8"	1/4"	3/8"
A	22	25.4	30
B	22	35	55
C	72	75	79
D	15	18	18
E	11	17.5	27.5
F	22	25.4	25
G	7.5	12.7	11
H	M4xP0.7xL6.5	M5xP0.8xL7.0	M5xP0.8xL7.0

### Flow chart



### Explosion

#### PU220AR-03

Zero pressure differential operation pilot acting

