

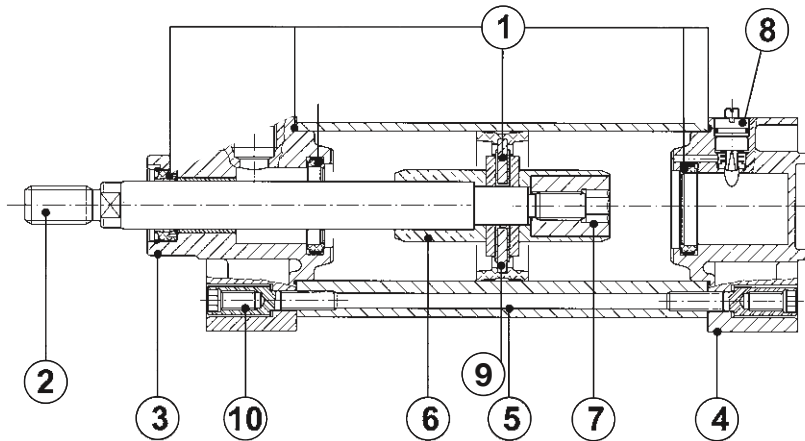


Pneumatic Cylinders

ISO 6431 VDMA 24562 – CX Series

National Sales Enquiries 1300 879 613
www.pneutech.com.au

Bore sizes from 32-100mm



Medium

Compressed Air, Filtered,
Lubricated and Non-Lubricated

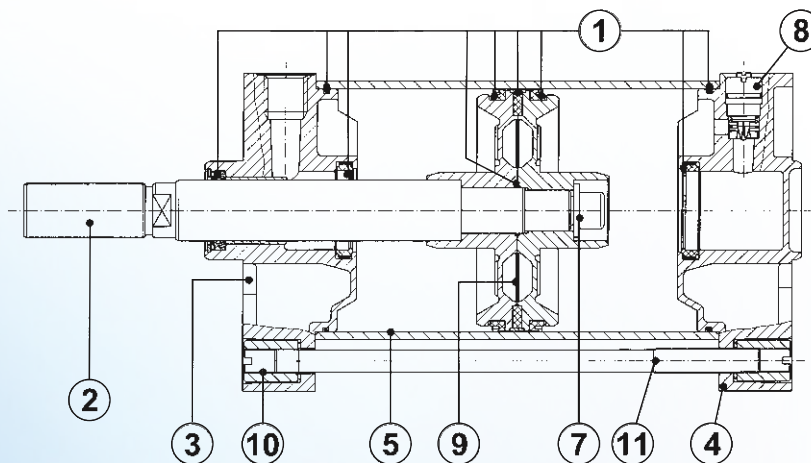
Pressure

1 – 10 bar

Ambient Temperature

-20 deg C to + 70 deg C. High
Temperature option available to
180 deg C.

Bore sizes – 125, 160, 200

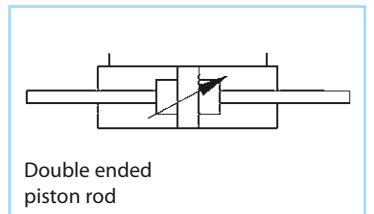
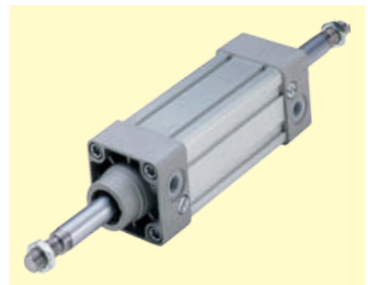
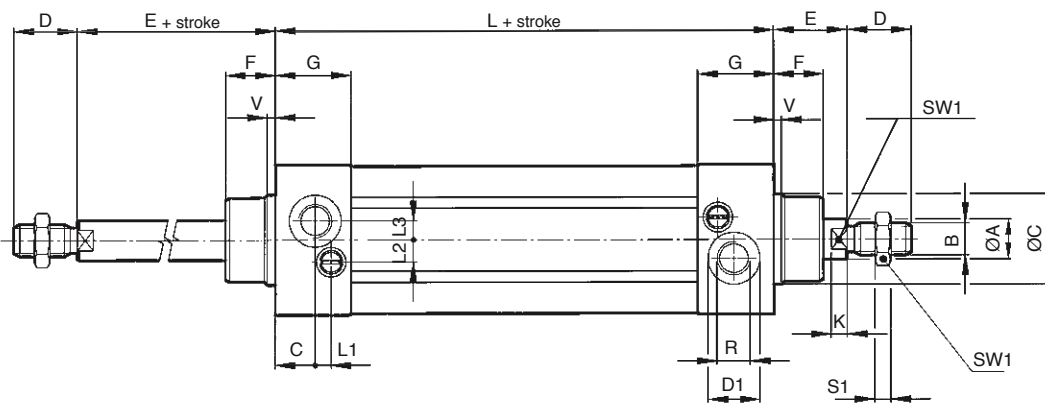
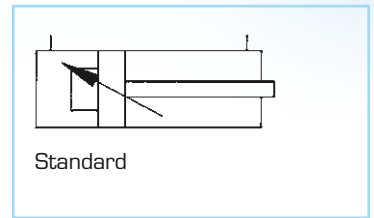
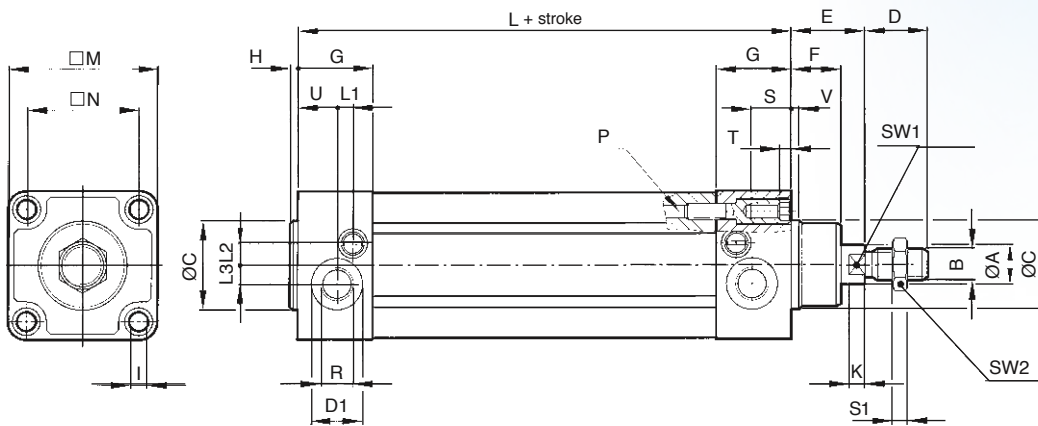


1. Seals, low friction NBR material ensures long life, high temperature option (HT)
2. Piston Rod, hard chrome steel is standard, stainless steel option (SS)
3. Front End Cap, aluminium
4. Rear End Cap, aluminium
5. Barrel, profile style, ground and anodized
6. Cushion Boss
7. Ring Nut
8. Micrometer Cushion Screw for unique cushioning capability
9. Piston, magnetic option for reed switch (M)
10. Tie rod
11. Screw, female thread for mounting

Main Specifications

	Cyl. Ø	32	40	50	63	80	100	125	160	200
Area on push side	cm ²	8.0	12.5	19.5	31	50	78.5	123	201	314.1
Area on pull side	cm ²	6.9	10.6	16.5	28.0	45.3	73.6	114.6	188.4	301.4
Push force at 6 bar	N	482	754	1178	1870	3015	4712	7363	12064	18849
Pull force at 6 bar	N	415	633	989	1681	2721	4416	6876	11304	18084
Cushioning length	mm	18	23	27	33	33	33	33	37	37
Piston rod Ø	mm	12	16	20	20	25	25	32	40	40
Weight 25mm stroke	kg	0.6	0.9	1.4	1.8	3.2	3.9	5.8	11.2	15.3
Weight/100mm	kg	0.23	0.32	0.47	0.52	0.80	0.90	1.4	1.8	2.2
Port size		G1/8"	G1/4"	G1/4"	G3/8"	G3/8"	G1/2"	G1/2"	G3/4"	G3/4"

Dimensional Features



Dimensional Features

For electrical and dimensional features of magnetic sensors used on cylinders series CXM. See page 7.

BORE	A	B	C	D	E	F	G	H	I	K	L	M	N	R	S	T	U	V	L3	SW1	S1
32	12	M10 x1.25	30	22	26	16	33	4	M6	6	94	47	32.5	G1/8	16	5	14	4	5	10	5
40	16	M12 x1.25	35	24	30	20	33.5	4	M6	6.5	105	52	38	G1/4	16	5	15	4	6	13	6
50	20	M16 x1.5	40	32	37	25	34	4	M8	8	106	65	46.5	G1/4	16	6	15	4	6	16	8
63	20	M16 x1.5	45	32	37	25	38	4	M8	8	121	75	56.5	G3/8	16	6	20	4	9.5	16	8
80	25	M20 x1.5	45	40	46	30	41.5	4	M10	10	128	95	72	G3/8	16	6	20	4	9.5	21	10
100	25	M20 x1.5	55	40	51	35	41.5	4	M10	10	138	115	89	G1/2	16	6	25	4	12	21	10
125	32	M27 x 2	60	54	65	40	45	5	M12	13	160	140	110	G1/2	20	8	30	5	12	27	13.5
160	40	M36 x 2	65	72	80	50	47.5	8	M16	16	180	180	140	G3/4	21	-	27.5	50	15	36	18
200	40	M36 x 2	75	72	95	65	47.5	8	M16	16	180	220	175	G3/4	21	-	27.5	25	15	36	18

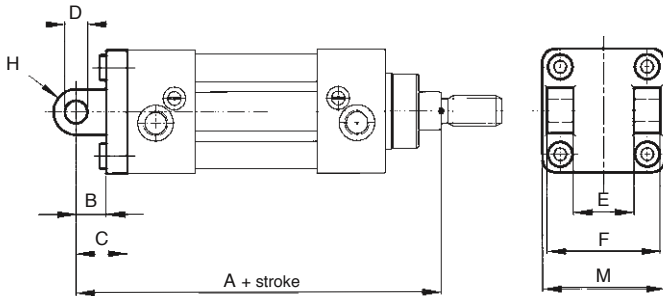
Order Code

CX or **CD** **M** **P** **050** **0160** **HR**
 ↑ ↑ ↑ ↑ ↑
CX^Ø 32 - 125 **CD^Ø** 160 - 200 **Construction Variant**
M = Magnetic, Blank = Non Magnet **Stroke Length** in millimeters
P = Double Ended Piston Rod **050** = Cylinder Bore Size

Accessories

All accessories are provided with screws for the assembly of cylinders

Type 2801 Female pivot in aluminium



Order Code

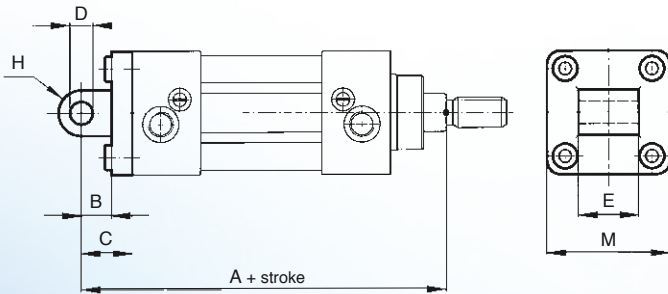
CD 2801 050

↑ Bore Size

Bore Size mm	A	B	C ±0.2	D H9	E H14	F h14	H	L Pin length	M	Fixing screw UNI 593
32	142	13	22	10	26	45	10	52	45	M6 x 18
40	160	16	25	12	28	52	12	59	52	M6 x 18
50	170	16	27	12	32	60	12	67	65	M8 x 20
63	190	21	32	16	40	70	16	77	75	M8 x 20
80	210	22	36	16	50	90	16	97	95	M10 x 25
100	230	27	41	20	60	110	20	118	115	M10 x 25
125	275	30	50	25	70	130	25	138	140	M12 x 30
160	315	35	55	30	90	170	30	180	180	M16 x 30
200	335	35	60	30	90	170	30	180	220	M16 x 30

Mounting comes complete with Pin and Circlips.

Type 2802 Male pivot in aluminium



Order Code

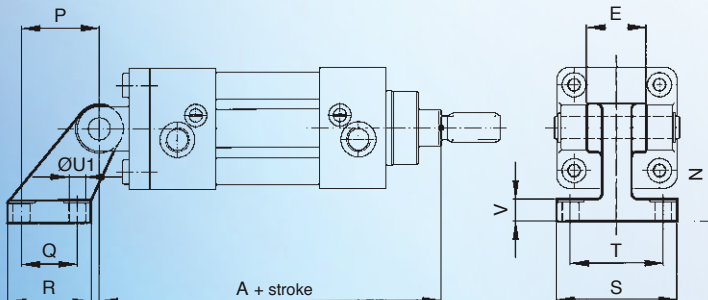
CD 2802 050

↑ Bore Size

Bore Size mm	A	B	C ±0.2	D H9	E -0.2 -0.6	H	M	Fixing screw UNI 5931
32	142	13	22	10	26	10	45	M6 x 18
40	160	16	25	12	28	12	52	M6 x 18
50	170	16	27	12	32	12	65	M8 x 20
63	190	21	32	16	40	16	75	M8 x 20
80	210	22	36	16	50	16	95	M10 x 25
100	230	27	41	20	60	20	115	M10 x 25
125	275	30	50	25	70	25	140	M12 x 30
160	315	35	55	30	90	30	180	M16 x 30
200	335	35	60	30	90	30	220	M16 x 30

Bore 125 – 200. E=-0.5 to -1.2.

Type 2803 Right angle joint in aluminium



Order Code

CD 2803 050

↑ Bore Size

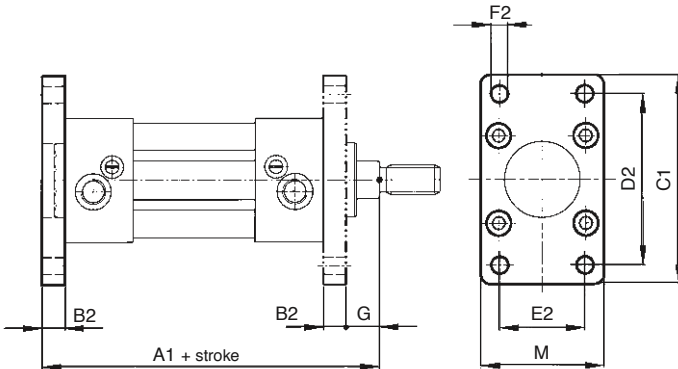
Bore Size mm	A	W	N Js15	P Js15	Q Js14	R	S	T Js14	U1	V
32	142	26	32	21	18	31	51	38	6.5	8
40	160	28	36	24	22	35	54	41	6.5	10
50	170	32	45	33	30	45	65	50	9	12
63	190	40	50	37	35	50	67	52	9	12
80	210	50	63	47	40	60	86	66	11	14
100	230	60	71	55	50	70	96	76	11	15

End float 0.1mm maximum.

Accessories

All accessories are provided with screws for the assembly of cylinders

Type 2907 Front/Rear flange in zinc-plated steel



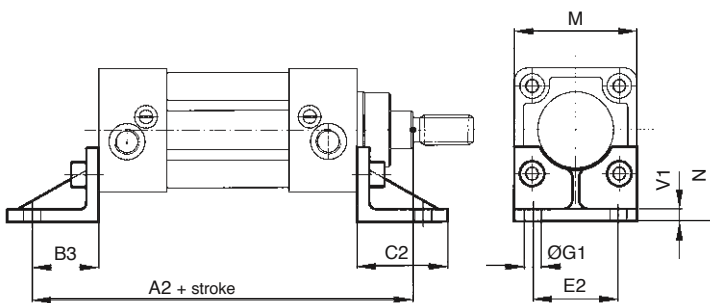
Bore Size mm	A	B2 Js 14	C1	D2 Js 14	E2 Js 14	F2 H13	G	M	Fixing screw UNI 5931
32	130	10	80	64	32	7	16	45	M6 x 18
40	145	10	90	72	36	9	20	52	M6 x 18
50	155	12	110	90	45	9	25	65	M8 x 20
63	170	12	120	100	50	9	25	75	M8 x 20
80	190	16	150	126	63	12	30	95	M10 x 20
100	205	16	170	150	75	14	35	115	M10 x 20
125	245	20	205	180	90	16	45	140	M12 x 30
160	280	20	260	230	115	18	60	180	M16 x 30
200	300	25	310	270	135	22	70	220	M16 x 30

Order Code

CD 2907 050

↑ Bore Size

Type 2908 Foot mounting in zinc-plated steel



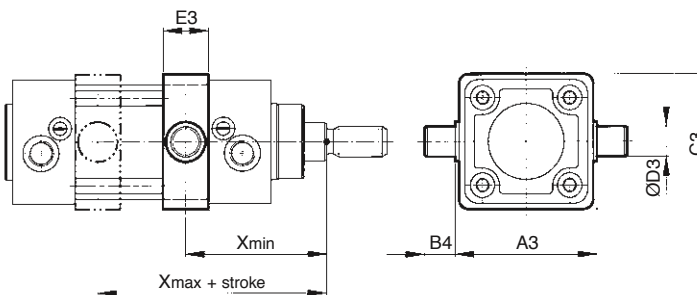
Bore Size mm	A2	B3 ± 0.2	C2	E2 Js14	G1 H13	M	N Js15	V1	Fixing screw UNI 5931
32	144	24	35	32	7	45	32	3.5	M6 x 18
40	163	28	36	36	9	52	36	3.5	M6 x 18
50	175	32	45	45	9	65	45	3.5	M8 x 20
63	190	32	45	50	9	75	50	4.5	M8 x 20
80	215	41	55	63	12	95	63	5	M10 x 20
100	230	41	56	75	14	115	71	5	M10 x 20
125	270	45	68	90	16	140	90	9	M12 x 30
160	320	60	80	115	18	180	115	12	M16 x 30
200	345	70	85	135	22	220	135	12	M16 x 30

Order Code

CD 2908 050

↑ Bore Size

Type 2909 Intermediate pivot in zinc-plated steel



Bore Size mm	A3 h14	B4 h14	C3	D3 e9	E3	X min	X max
32	50	12	57	12	25	71.5	74.5
40	63	16	59	16	30	78.5	86.5
50	75	16	71	16	30	86	94
63	90	20	86	20	35	92.5	102.5
80	110	20	106	20	40	107.5	112.5
100	132	25	128	25	45	115	125
125	160	25	155	25	50	124	155
160	200	32	190	32	50	152.5	187.5
200	250	32	240	32	50	167.5	202.5

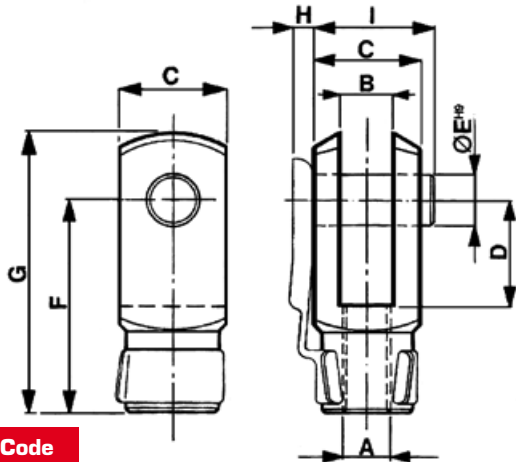
Order Code

CD 2909 050

↑ Bore Size

X dimension to be specified on order.

Type FF Female rod clevis in zinc-plated steel



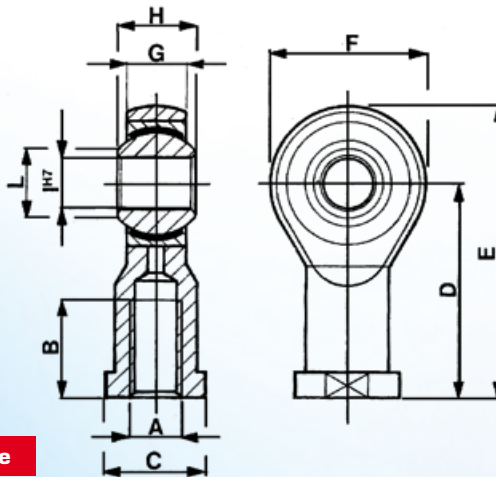
Bore Size mm	A	B	C	D	E	F	G	H	I
32	M10 x 1.25	10	20	20	10	40	52	3	23
40	M12 x 1.25	12	24	24	12	48	62	4	28
50	M16 x 1.5	16	32	32	16	64	83	4	36
63	M16 x 1.5	16	32	32	16	64	83	4	36
80	M20 x 1.5	20	40	40	20	80	105	4	44
100	M20 x 1.5	20	40	40	20	80	105	4	44
125	M27 x 2	30	55	54	30	110	148	-	65
160	M36 x 2	35	70	72	35	144	188	-	84
200	M36 x 2	35	70	72	35	144	188	-	84

Order Code

CDFF 050

↑ Bore Size

Type KJ Oscillating eye in zinc-plated steel



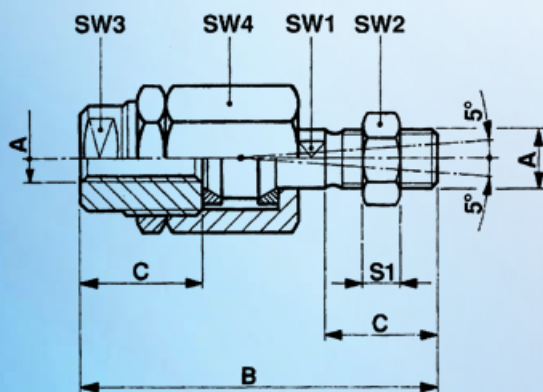
Bore Size mm	A	B	C	D	E	F	G	H	I	L
32	M10 x 1.25	20	17	43	57	28	10.5	14	10	12.9
40	M12 x 1.25	22	19	50	66	32	12	16	12	15.4
50	M16 x 1.5	28	22	64	85	42	15	21	16	19.3
63	M16 x 1.5	28	22	64	85	42	15	21	16	19.3
80	M20 x 1.5	33	30	77	102	50	18	25	20	24.3
100	M20 x 1.5	33	30	77	102	50	18	25	20	24.3
125	M27 x 2	51	41	110	145	70	25	37	30	34.8
160	M36 x 2	56	50	125	165	80	28	43	35	37.7
200	M36 x 2	56	50	125	165	80	28	43	35	37.7

Order Code

CDKJ 050

↑ Bore Size

Type KK Compensation joint for piston rod in zinc-plated steel



Bore Size mm	A	B	C	S1	SW1	SW2	SW3	SW4
32	M10 x 1.25	71	20	5	12	17	19	30
40	M12 x 1.25	75	24	6	12	19	19	30
50	M16 x 1.5	103	32	8	20	24	30	42
63	M16 x 1.5	103	32	8	20	24	30	42
80	M20 x 1.5	119	40	10	20	30	30	42
100	M20 x 1.5	119	40	10	20	30	30	42
125	-	-	-	-	-	-	-	-
160	-	-	-	-	-	-	-	-
200	-	-	-	-	-	-	-	-

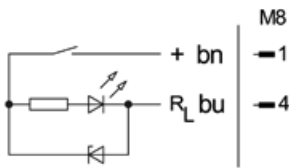
Order Code

CDKK 050

↑ Bore Size

End float 0.1mm maximum.

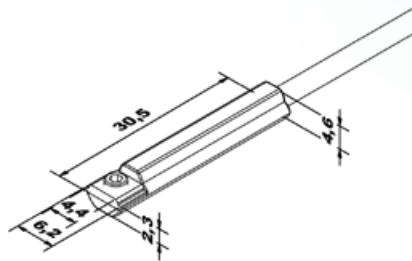
Reed - Top Mount



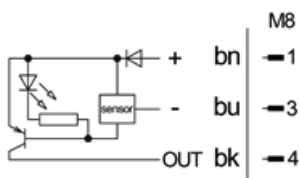
Operating Voltage (2 Wire) 10 - 75 V DC – Part No. : 272680

Reed Male Connector M8 x 1 – Part No. : 272680

Reed Flying Lead (3 metre) – Part No. : 272643

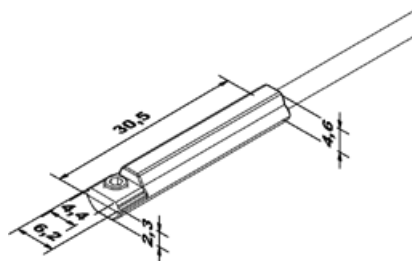


Hall Effect PNP - Top Mount



Hall Effect PNP Male Connector M8 x 1 – Part No. : 274280

Hall Effect NPN Male Connector M8 x 1 – Part No. : 275280



Connector M8 - Pre-Wired

Cable only (5 Metre), Female M8 x 1 – Part No. : 809324



HEAD OFFICE
T > 1300 879 613 F > 1300 952 641
E > sales@pneutech.com.au W > pneutech.com.au
3 Argent Place, Ringwood Victoria 3134 Australia

