



Air service units

- Filters
- Regulators
- Lubricators

Air service units

Pneutech offers an extensive range of filters, regulators and lubricators, including individual units and combinations.



Filters

- eliminate dust and coagulation from compressed air
- series standard and mini
- drain: manual as a standard, semi automatic as an option
- choice of filter elements: 5 μ or 40 μ
- high quality bowl designed for long service life.



Regulators

- allow easy adjustment of air pressure
- series standard and mini
- 0,1% accuracy of pressure control
- can be installed in any position
- technology: piston type regulation.



Lubricators

- fog style lubrication to extend life of equipment
- series standard and mini
- refilling of oil without stopping the air line
- easy adjustment of oil delivery volume.



Spare parts

- pressure gauges
- sintered bronze filter elements
- filter bowls and lubricator bowls
- spacer blocks.

Pneutech can also provide stainless steel air service units. Please, do not hesitate to consult us.

Technical specification

Technology: piston type regulation.

Suitable fluid: compressed air.

Working pressure:

Series standard with polycarbonate bowl (standard): 0.5 to 12 bar.

Series standard with anti alkali & acid bowl (optional): 0.5 to 15 bar.

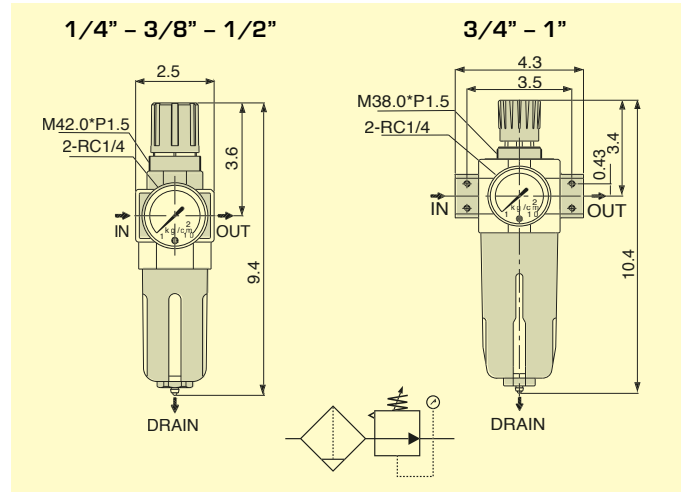
Series standard with aluminium bowl (optional): 0.5 to 16 bar.

Working temperature: - 10° to + 60°C

Constituent materials:

- body: aluminium die-cast (series mini: polycarbonate).

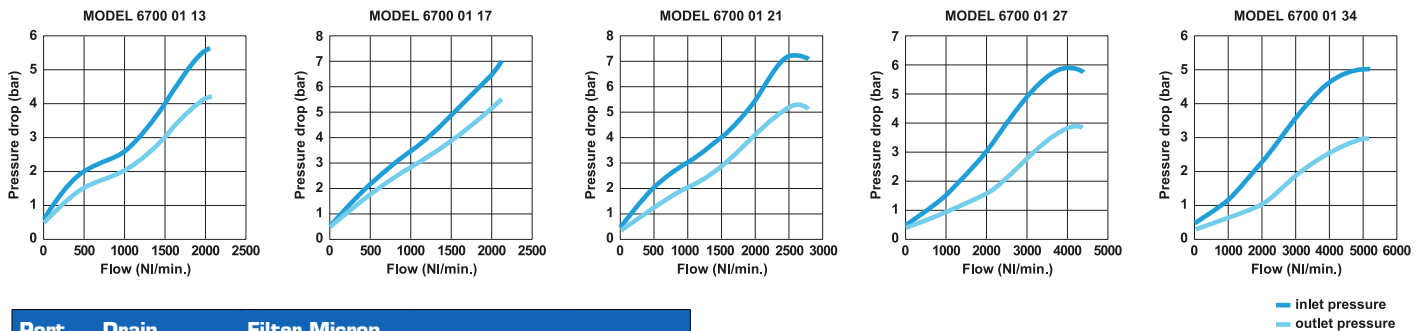
Thread type: BSP parallel.



Specification

Threaded port (BSPP)	1/4"	3/8"	1/2"	3/4"	1"
Maximum flow rate (NI/min)	2100	2130	2750	8000	8500
Filter bowl capacity (cc)	105	105	105	210	210
Lubricator oil	ISO – VG32 recommended (or equivalent)				
Weight (kg)	0,930	0,930	0,930	1,360	1,360

Flow charts



Port	Drain	Filter Micron	Model	Option
1/4"	Manual	5µ	6700 01 13	Standard
1/4"	Manual	40µ	6700 41 13	Option
1/4"	Semi Auto	5µ	6700 03 13	Option
1/4"	Semi Auto	40µ	6700 43 13	Option
3/8"	Manual	5µ	6700 01 17	Standard
3/8"	Manual	40µ	6700 41 17	Option
3/8"	Semi Auto	5µ	6700 03 17	Option
3/8"	Semi Auto	40µ	6700 43 17	Option
1/2"	Manual	5µ	6700 01 21	Standard
1/2"	Manual	40µ	6700 41 21	Option
1/2"	Semi Auto	5µ	6700 03 21	Option
1/2"	Semi Auto	40µ	6700 43 21	Option
3/4"	Manual	5µ	6700 01 27	Standard
3/4"	Manual	40µ	6700 41 27	Option
3/4"	Semi Auto	5µ	6700 03 27	Option
3/4"	Semi Auto	40µ	6700 43 27	Option
1"	Manual	5µ	6700 01 34	Standard
1"	Manual	40µ	6700 41 34	Option
1"	Semi Auto	5µ	6700 03 34	Option
1"	Semi Auto	40µ	6700 43 34	Option

Ready to be mounted

The products are delivered with the following accessories:

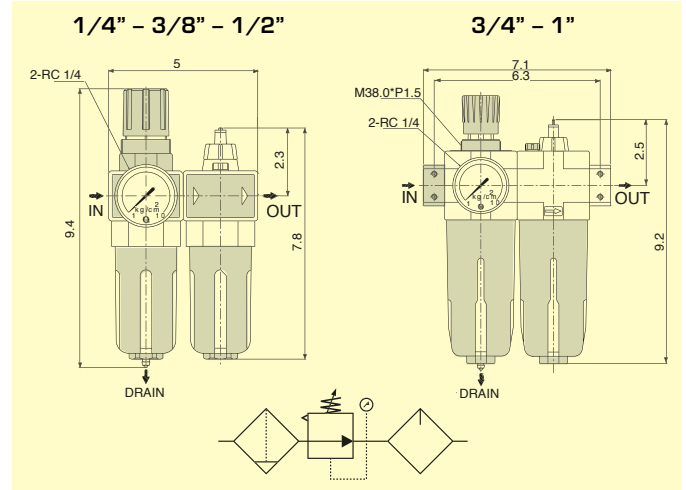
- 1 gauge
- 1 bracket (sizes 1/4", 3/8", 1/2") or 2 brackets (sizes 3/4", 1")
- 4 screws
- 1 plug.



Also available on request: threaded ports 1 1/2" and 2"

Also available: shut off valves

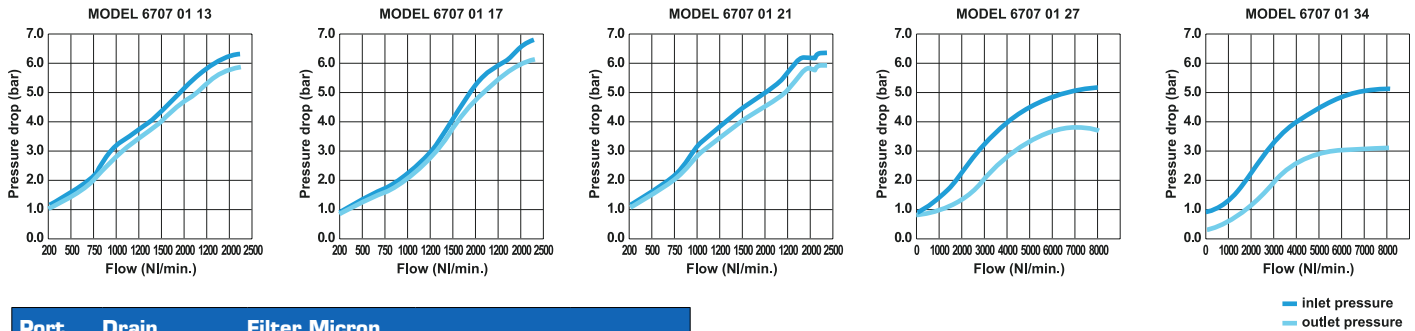
Filter/Regulator + Lubricator



Specification

Threaded port (BSPP)	1/4"	3/8"	1/2"	3/4"	1"
Maximum flow rate (NI/min)	2080	2100	2600	7940	8200
Filter bowl capacity (cc)	105	105	105	210	210
Lubricator oil	ISO – VG32 recommended (or equivalent)				
Weight (kg)	1,480	1,480	1,480	2,150	2,150

Flow charts

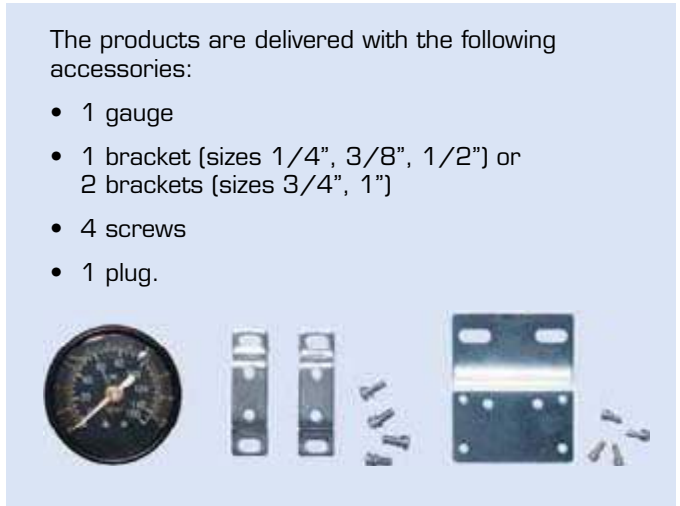


Port	Drain	Filter Micron	Model	Option
1/4"	Manual	5µ	6707 01 13	Standard
1/4"	Manual	40µ	6707 41 13	Option
1/4"	Semi Auto	5µ	6707 03 13	Option
1/4"	Semi Auto	40µ	6707 43 13	Option
3/8"	Manual	5µ	6707 01 17	Standard
3/8"	Manual	40µ	6707 41 17	Option
3/8"	Semi Auto	5µ	6707 03 17	Option
3/8"	Semi Auto	40µ	6707 43 17	Option
1/2"	Manual	5µ	6707 01 21	Standard
1/2"	Manual	40µ	6707 41 21	Option
1/2"	Semi Auto	5µ	6707 03 21	Option
1/2"	Semi Auto	40µ	6707 43 21	Option
3/4"	Manual	5µ	6707 01 27	Standard
3/4"	Manual	40µ	6707 41 27	Option
3/4"	Semi Auto	5µ	6707 03 27	Option
3/4"	Semi Auto	40µ	6707 43 27	Option
1"	Manual	5µ	6707 01 34	Standard
1"	Manual	40µ	6707 41 34	Option
1"	Semi Auto	5µ	6707 03 34	Option
1"	Semi Auto	40µ	6707 43 34	Option

Ready to be mounted

The products are delivered with the following accessories:

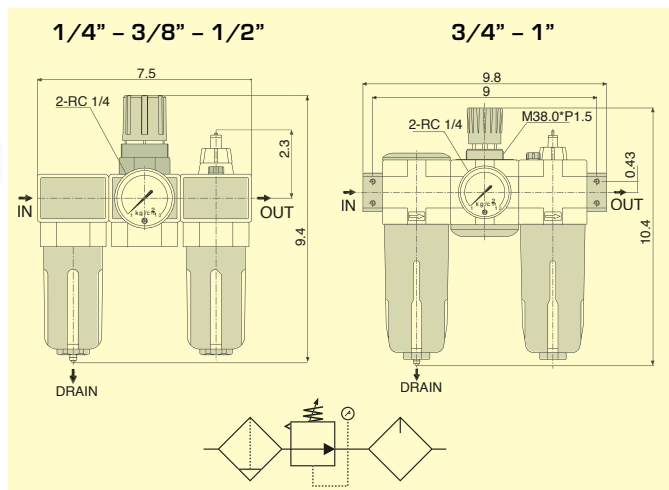
- 1 gauge
- 1 bracket (sizes 1/4", 3/8", 1/2") or 2 brackets (sizes 3/4", 1")
- 4 screws
- 1 plug.



Also available on request: threaded ports 1 1/2" and 2"

Also available: shut off valves

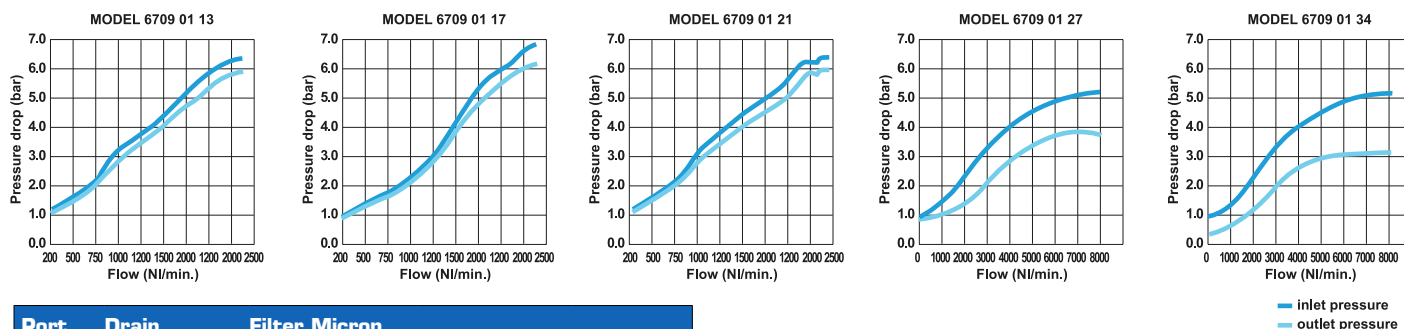
Filter/Regulator + Lubricator



Specification

Threaded port (BSPP)	1/4"	3/8"	1/2"	3/4"	1"
Maximum flow rate (NI/min)	2800	2100	2600	7940	8200
Filter bowl capacity (cc)	105	105	105	210	210
Lubricator bowl capacity (cc)	125	125	125	235	235
Lubricator oil	ISO -VG32 recommended (or equivalent)				
Weight (kg)	1,800	1,800	1,800	2,650	2,650

Flow charts



Port	Drain	Filter Micron	Model	Option
1/4"	Manual	5µ	6709 01 13	Standard
1/4"	Manual	40µ	6709 41 13	Option
1/4"	Semi Auto	5µ	6709 03 13	Option
1/4"	Semi Auto	40µ	6709 43 13	Option
3/8"	Manual	5µ	6709 01 17	Standard
3/8"	Manual	40µ	6709 41 17	Option
3/8"	Semi Auto	5µ	6709 03 17	Option
3/8"	Semi Auto	40µ	6709 43 17	Option
1/2"	Manual	5µ	6709 01 21	Standard
1/2"	Manual	40µ	6709 41 21	Option
1/2"	Semi Auto	5µ	6709 03 21	Option
1/2"	Semi Auto	40µ	6709 43 21	Option
3/4"	Manual	5µ	6709 01 27	Standard
3/4"	Manual	40µ	6709 41 27	Option
3/4"	Semi Auto	5µ	6709 03 27	Option
3/4"	Semi Auto	40µ	6709 43 27	Option
1"	Manual	5µ	6709 01 34	Standard
1"	Manual	40µ	6709 41 34	Option
1"	Semi Auto	5µ	6709 03 34	Option
1"	Semi Auto	40µ	6709 43 34	Option

Ready to be mounted

The products are delivered with the following accessories:

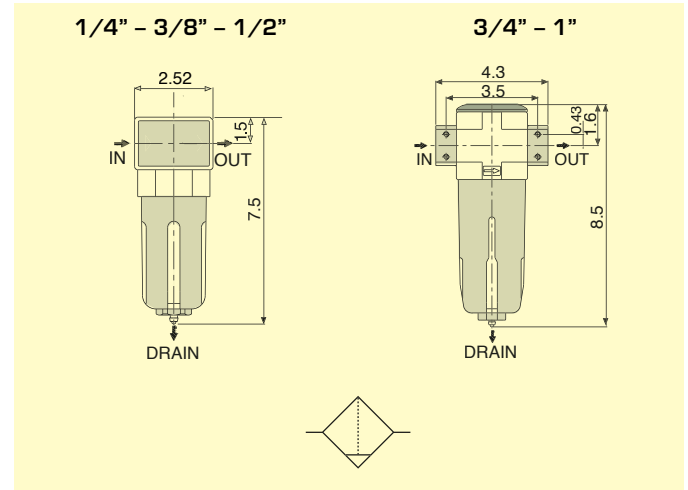
- 1 gauge
- 1 bracket (sizes 1/4", 3/8", 1/2") or 2 brackets (sizes 3/4", 1")
- 4 screws
- 1 plug.



Also available on request: threaded ports 1 1/2" and 2"

Also available: shut off valves

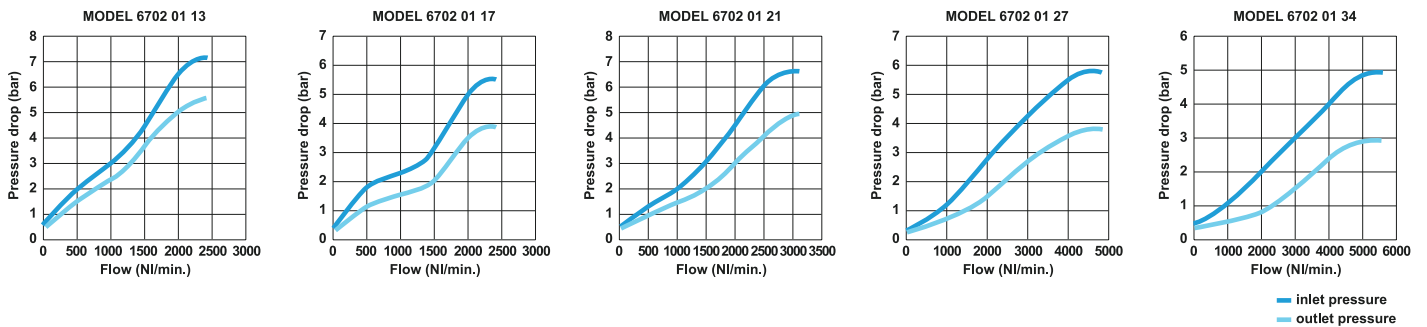
Filter



Specification

Threaded port (BSPP)	1/4"	3/8"	1/2"	3/4"	1"
Maximum flow rate (NI/min)	2440	2450	3030	8250	8860
Filter bowl capacity (cc)	105	105	105	210	210
Weight (kg)	0,530	0,530	0,530	1,250	1,250

Flow charts



Port	Drain	Filter Micron	Model	Option
1/4"	Manual	5µ	6702 01 13	Standard
1/4"	Manual	40µ	6702 41 13	Option
1/4"	Semi Auto	5µ	6702 03 13	Option
1/4"	Semi Auto	40µ	6702 43 13	Option
3/8"	Manual	5µ	6702 01 17	Standard
3/8"	Manual	40µ	6702 41 17	Option
3/8"	Semi Auto	5µ	6702 03 17	Option
3/8"	Semi Auto	40µ	6702 43 17	Option
1/2"	Manual	5µ	6702 01 21	Standard
1/2"	Manual	40µ	6702 41 21	Option
1/2"	Semi Auto	5µ	6702 03 21	Option
1/2"	Semi Auto	40µ	6702 43 21	Option
3/4"	Manual	5µ	6702 01 27	Standard
3/4"	Manual	40µ	6702 41 27	Option
3/4"	Semi Auto	5µ	6702 03 27	Option
3/4"	Semi Auto	40µ	6702 43 27	Option
1"	Manual	5µ	6702 01 34	Standard
1"	Manual	40µ	6702 41 34	Option
1"	Semi Auto	5µ	6702 03 34	Option
1"	Semi Auto	40µ	6702 43 34	Option

Also available on request: threaded ports 1 1/2" and 2"

Ready to be mounted

The products are delivered with the following accessories:

- 1 bracket
- 4 screws
- 1 plug.



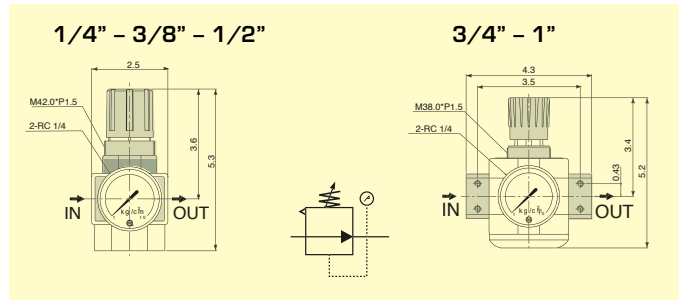
Pneutech filters

In the **standard manual version**, you can purge the filter by pressing the drain by hand.

In the **optional semi-automatic version**, the drainage happens automatically when there is no pressure or when you press the drain by hand.

Also available: shut off valves

Regulator



Specification

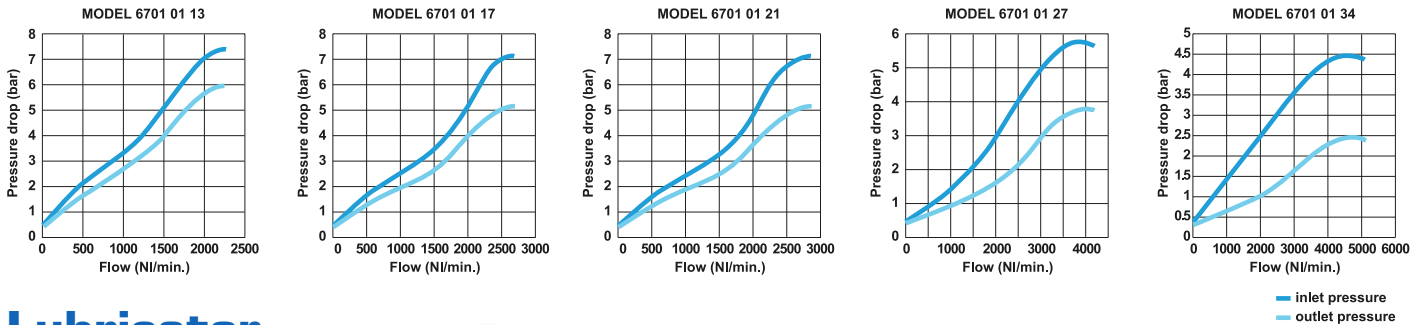
Threaded port (BSPP)	1/4"	3/8"	1/2"	3/4"	1"
----------------------	------	------	------	------	----

Maximum flow rate (NI/min)	2100	2130	2750	8000	8500
----------------------------	------	------	------	------	------

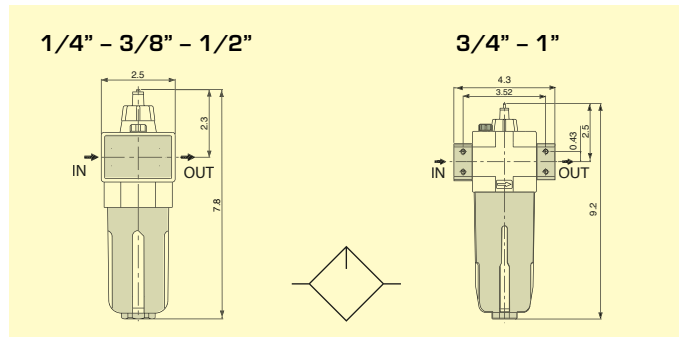
construction: piston type regulator

Threaded Port	Weight (kg)
1/4"	6701 01 13 0,740
3/8"	6701 01 17 0,740
1/2"	6701 01 21 0,740
3/4"	6701 01 27 1,100
1"	6701 01 34 1,100

Flow charts



Lubricator



Specification

Threaded port (BSPP)	1/4"	3/8"	1/2"	3/4"	1"
----------------------	------	------	------	------	----

Maximum flow rate (NI/min)	2490	2525	4310	8400	9000
----------------------------	------	------	------	------	------

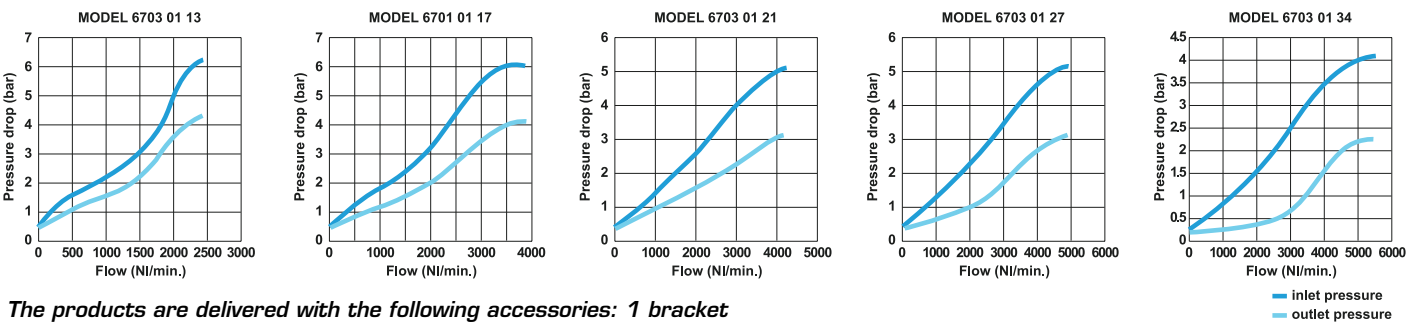
Lubricator bowl capacity (cc)	125	125	125	235	235
-------------------------------	-----	-----	-----	-----	-----

Lubricator oil ISO - VG32 recommended (or equivalent)

Lubricator oil can be refilled without the need to shut down the compressed air system.

Threaded Port	Weight (kg)
1/4"	6703 01 13 0,500
3/8"	6703 01 17 0,500
1/2"	6703 01 21 0,500
3/4"	6703 01 27 1,095
1"	6703 01 34 1,095

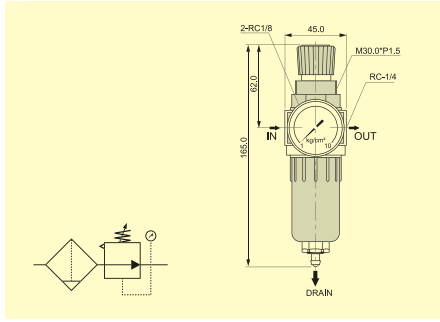
Flow charts



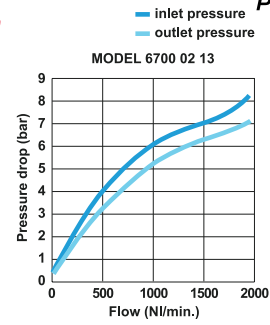
The products are delivered with the following accessories: 1 bracket (sizes 1/4", 3/8", 1/2") or 2 brackets (sizes 3/4", 1") + 4 screws + 1 plug.

Also available: shut off valves

Mini Filter + Regulator



Flow chart



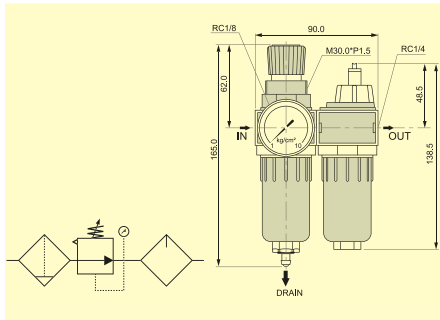
Specification

Maximum flow rate (NI/min)	1940
Filter bowl capacity (cc)	35
Weight (kg)	0,370

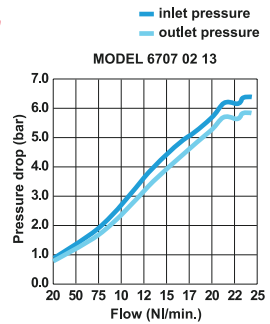
Port	Drain	Filter Micron	Model	Option
1/4"	Manual	5µ	6700 02 13	Standard
1/4"	Manual	40µ	6700 42 13	Option
1/4"	Semi Auto	5µ	6700 04 13	Option
1/4"	Semi Auto	40µ	6700 44 13	Option

The products are delivered with the following accessories: 1 gauge + 1 bracket + 4 screws + 1 plug.

Mini Filter + Regulator - Lubricator



Flow chart



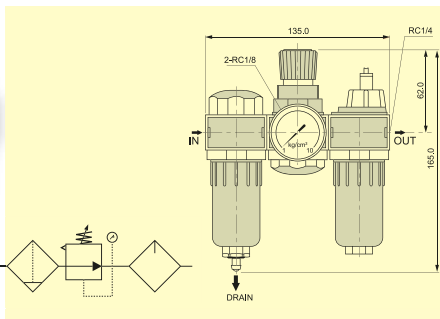
Specification

Maximum flow rate (NI/min)	1850
Filter bowl capacity (cc)	35
Lubricator bowl capacity (cc)	50
Weight (kg)	0,560

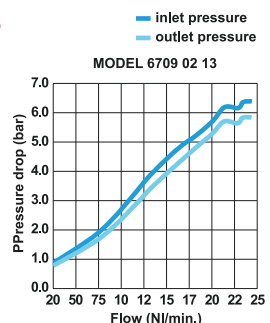
Port	Drain	Filter Micron	Model	Option
1/4"	Manual	5µ	6707 02 13	Standard
1/4"	Manual	40µ	6707 42 13	Option
1/4"	Semi Auto	5µ	6707 04 13	Option
1/4"	Semi Auto	40µ	6707 44 13	Option

The products are delivered with the following accessories: 1 gauge + 1 bracket + 4 screws + 1 plug.

Mini Filter + Regulator - Lubricator



Flow chart



Specification

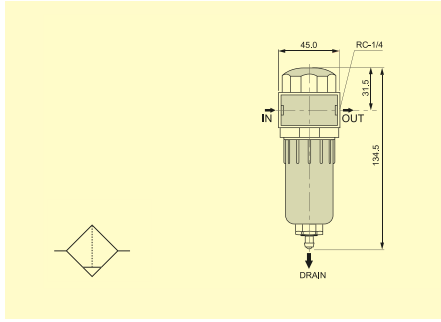
Maximum flow rate (NI/min)	1850
Filter bowl capacity (cc)	35
Lubricator bowl capacity (cc)	50
Weight (kg)	0,810

Port	Drain	Filter Micron	Model	Option
1/4"	Manual	5µ	6709 02 13	Standard
1/4"	Manual	40µ	6709 42 13	Option
1/4"	Semi Auto	5µ	6709 04 13	Option
1/4"	Semi Auto	40µ	6709 44 13	Option

The products are delivered with the following accessories: 1 gauge + 1 bracket + 4 screws + 1 plug.

Also available: shut off valves

Mini Filter



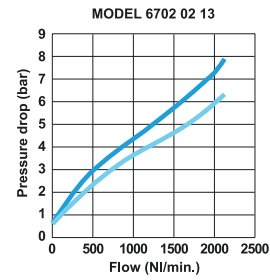
Specification

Maximum flow rate (NI/min)	2036
Filter bowl capacity (cc)	35
Weight (kg)	0,245

The products are delivered with the following accessories: 1 gauge + 1 bracket + 4 screws + 1 plug.

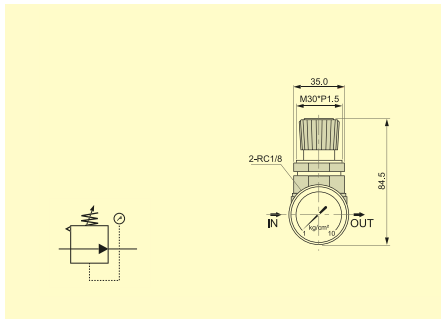
Flow chart

— inlet pressure
— outlet pressure



Port	Drain	Filter Micron	Model	Option
1/4"	Manual	5µ	6702 02 13	Standard
1/4"	Manual	40µ	6702 42 13	Option
1/4"	Semi Auto	5µ	6702 04 13	Option
1/4"	Semi Auto	40µ	6702 44 13	Option

Mini Regulator



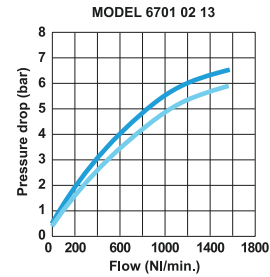
Specification

Maximum flow rate (NI/min)	1546
Weight (kg)	0,205

The products are delivered with the following accessories: 1 gauge + 1 bracket + 4 screws + 1 plug.

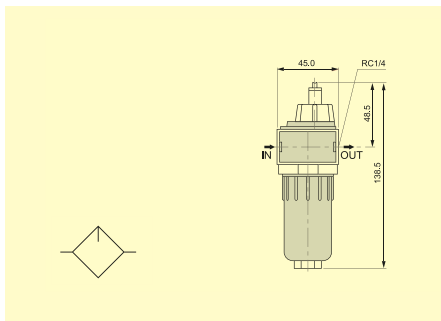
Flow chart

— inlet pressure
— outlet pressure



Port	Model
1/4"	6701 02 13

Mini Lubricator



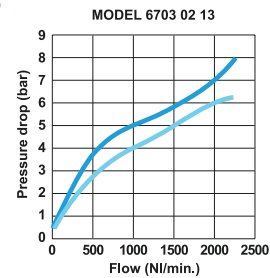
Specification

Maximum flow rate (NI/min)	2449
Lubricator bowl capacity (cc)	50
Lubricator oil ISO – VG32 recommended (or equivalent)	
Weight (kg)	0,165

The products are delivered with the following accessories: 1 gauge + 1 bracket + 4 screws + 1 plug.

Flow chart

— inlet pressure
— outlet pressure



Port	Model
1/4"	6703 02 13

Pneutech Lubricators

The mist type lubrication ensures that pneumatic devices receive the required lubrication to maintain operating **performance**, reduce wear and **prolong service life**.

Also available: shut off valves

Series mini:

You can convert 1/4" BSPP port into a 1/8" BSPP port by using the Pneutech reducer O903 10 13, for each port. (Flow rate values may be affected by max. 10%).



Filter and Lubricator bowls



for threaded port		polycarbonate bowls	aluminium bowls
1/4", 3/8", 1/2"	lubricator, standard	6799 06 01	6799 08 01
3/4", 1"	lubricator, standard	6799 06 02	
1/4"	lubricator, mini	6799 06 03	
1/4", 3/8", 1/2"	filter, standard	6799 07 01	6799 08 02
3/4", 1/2"	filter, standard	6799 07 02	
1/4"	filter, mini	6799 07 03	

Anti-acid and alkali bowls are also available as spare parts (for standard series only). Please consult us.

Sintered bronze filter elements



for threaded port	filter standard	filter element	diameter (mm)	aluminium bowls
1/4", 3/8", 1/2"	standard	5μ	28	6799 05 02
1/4", 3/8", 1/2"	standard	40μ	28	6799 45 02
3/4", 1"	standard	5μ		6799 05 03
3/4", 1"	standard	40μ		6799 45 03
1/4"	mini	5μ		6799 05 04
1/4"	mini	40μ		6799 45 04

Pressure gauges



for threaded port	regulator series	diameter (mm)	
1/8"	mini	42	6798 01 10
1/4"	standard	53	6798 01 13

Spacer blocks



for threaded port		
1/4", 3/8", 1/2"		6799 04 01
3/4", 1"		6799 04 02

Included: 1 O-ring, 2 screws with washer and 1 plug.

2 applications in one

A spacer block enables to divert air from the F/R before it is going through the lubricator. Therefore the same FRL can have 2 outputs: one with air unlubricated, the other with lubricated air.

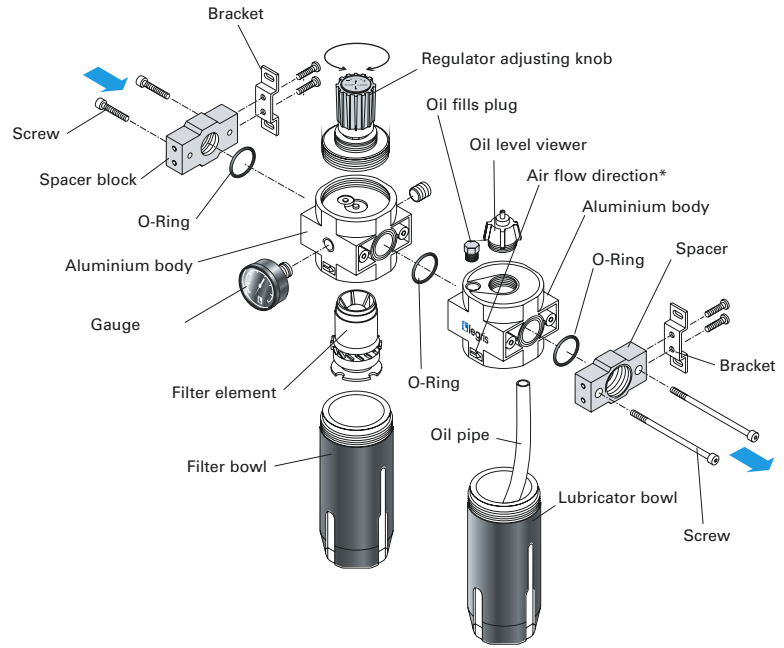
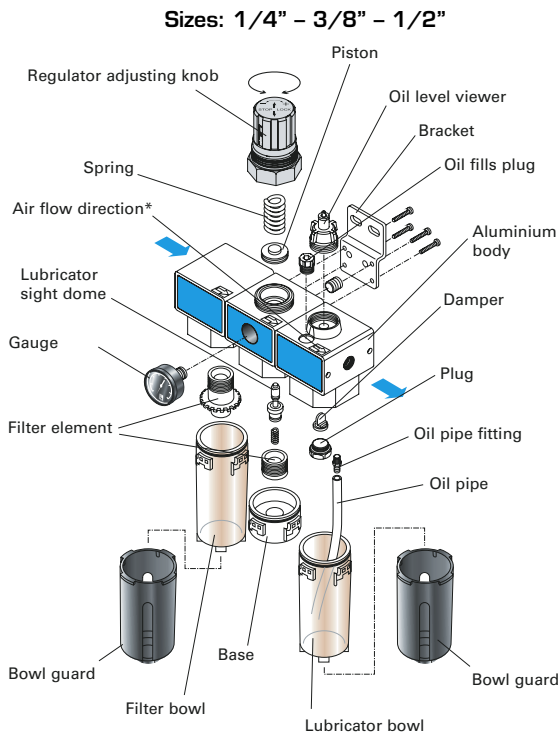
Mounting brackets



for port size		
1/4", 3/8", 1/2"	1 bracket + 4 screws	6798 08 01
3/4", 1"	2 brackets + 4 screws	6798 08 02

Also available: shut off valves

Installation



* for mini series, air flow direction is beside the female thread (in-out).

How to use

Operation of sleeve valve

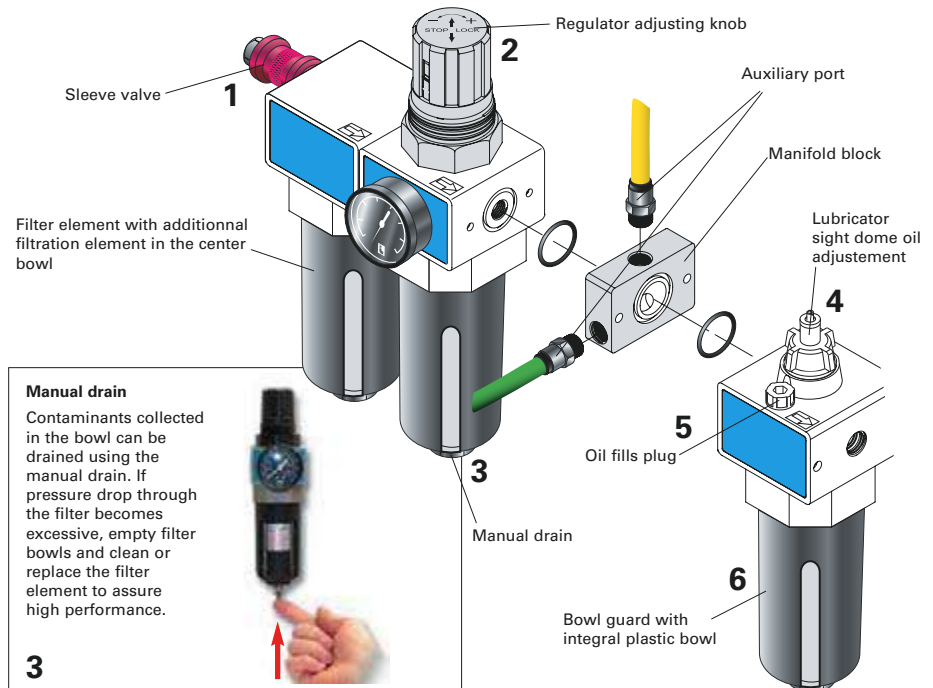
By moving the sleeve in one direction, the air is free to pass through the sleeve valve to the system. By moving it in the opposite direction, the supply is shut off and downstream air vents to the atmosphere.

1

Regulator adjusting knob

Pull knob to adjust air pressure. Turn clockwise to increase pressure. Turn counter-clockwise to decrease pressure. Push to lock.

2



Manual drain

Contaminants collected in the bowl can be drained using the manual drain. If pressure drop through the filter becomes excessive, empty filter bowls and clean or replace the filter element to assure high performance.

3

Lubricator sight dome oil adjustment

To decrease oil feed rate, turn adjustment screw clockwise and, to increase oil feed rate, turn the adjustment screw counter-clockwise.

4

Oil fill plug

Can be filled without shutting down air line. Screwdriver oil adjustment dome prevents unauthorized adjustment of oil delivery. Oil volume can be adjusted based on the air flow.

5

Bowl guard with integral plastic guard

Bayonet mount with lock for quick easy attachment and removal. Designed to insure durability in the harshest environment.

6

HEAD OFFICE
T > 1300 879 613 F > 1300 952 641
E > sales@pneutech.com.au W > pneutech.com.au
3 Argent Place, Ringwood Victoria 3134 Australia

