

BUTTERFLY VALVES

Butterfly valves

ITEM 678 - PVC butterfly valve to be inserted between flanges, "Wafer" type

features

pressure/temperature diagram

dimensions and materials free shaft valve

drives



Features

Standard version:

Body material : polypropylene fiber glass reinforced

Butterfly : PVC-C

Seal . EPDM

Working temperature: from 0 °C to +60 °C

Working pressure: see diagram

Applications: chemicals and all kinds of fluids compatible with PVC-C and EPDM.

Available range : from DN40-to DN50 PN16

(a 20 °C) from DN65 to DN250 PN10

DN300 PN 8

Standard flanges: from DN40 to DN300

PN10-PN16-ANSI150

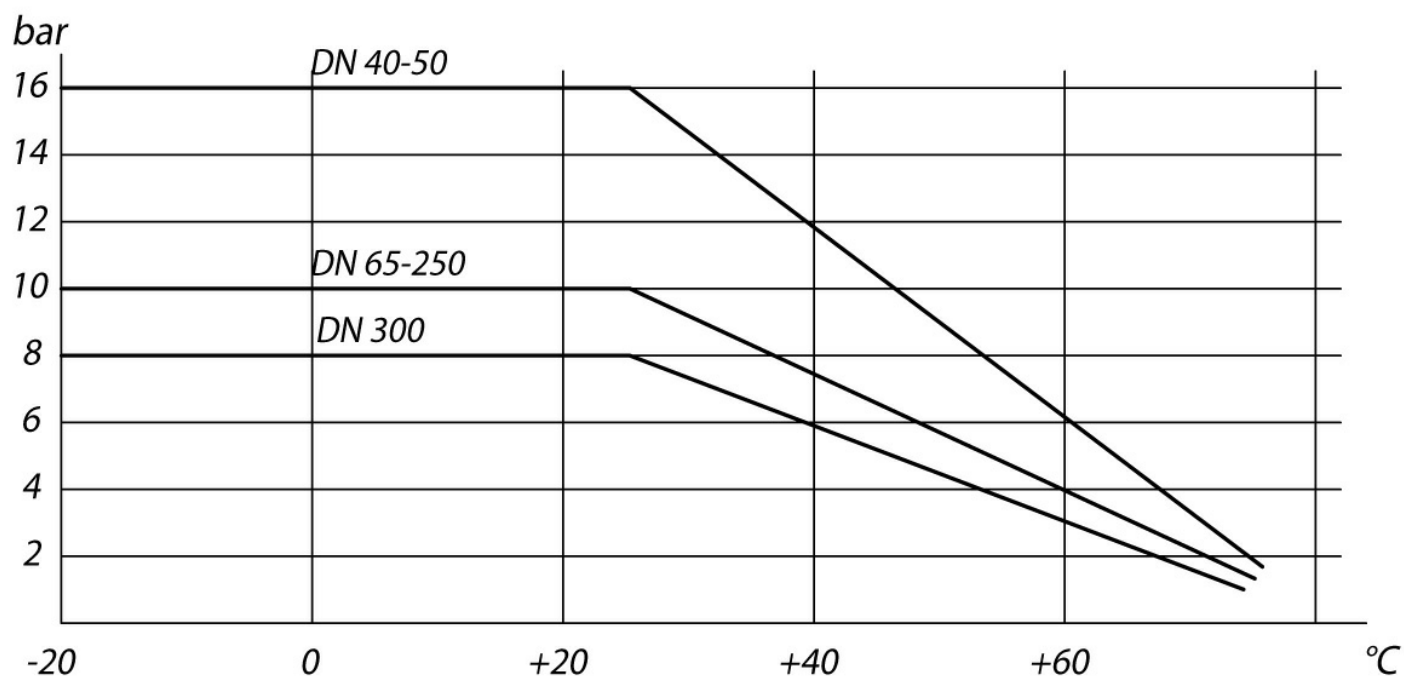
On request:

Butterfly: PVC; PP-H; PVDF

Seals: FPM or NBR.

Gear box.

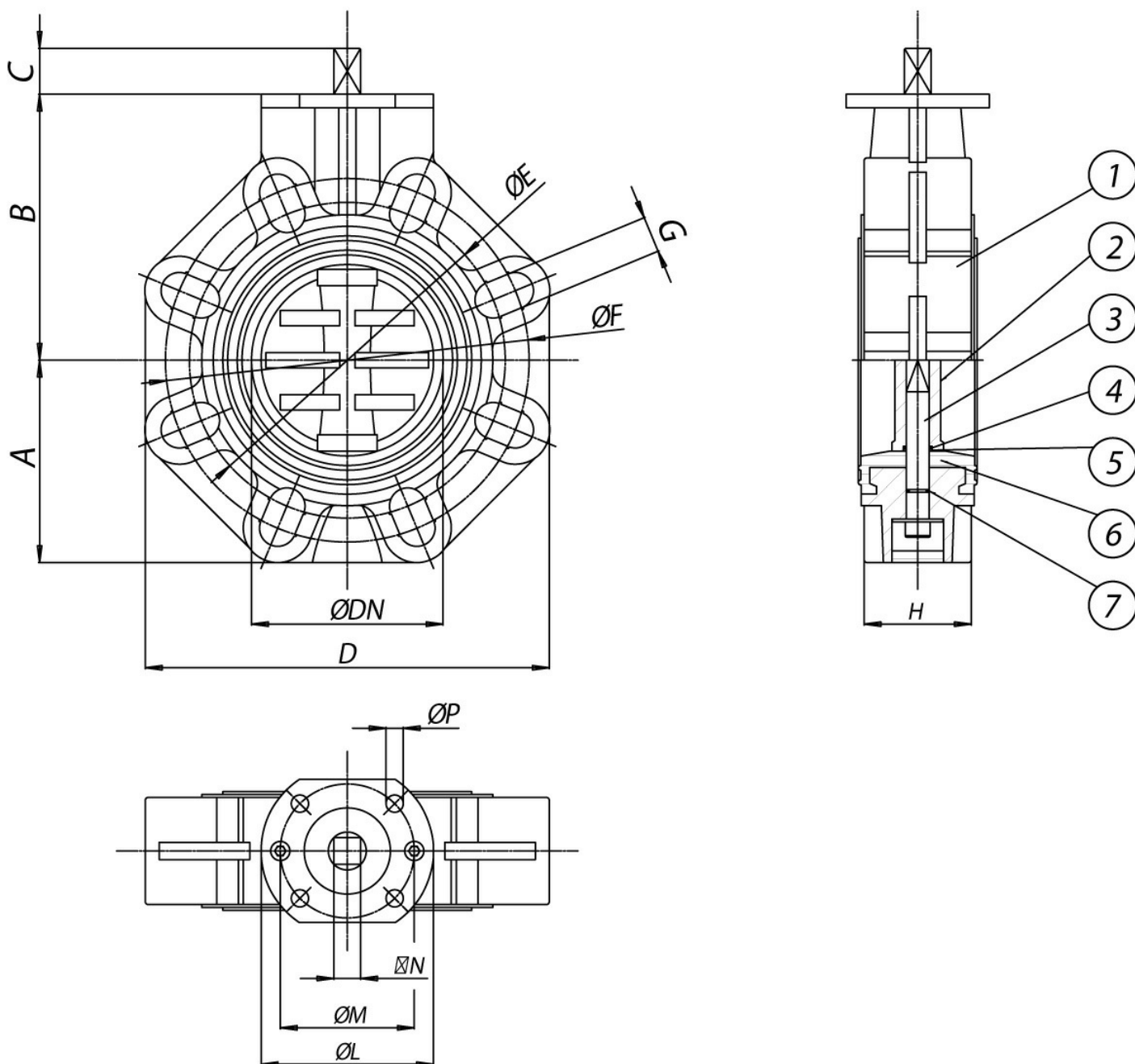
Pressure/temperature diagram



| Size | DN 40 1"1/2 | DN 50 2" | DN 65 2"1/2 | DN 80 3" | DN 100 4" | DN 125 5" | DN 150 6" | DN 200 8" | DN 250 10" | DN 300 12" |
|-----------|----------------|----------|----------------|----------|--------------|--------------|--------------|--------------|---------------|---------------|
| PN 10 bar | | | 11 | 21 | 32 | 45 | 64 | 168 | 171 | 502 |
| PN 16 bar | 9 | 10 | | | | | | | | |

Torque can vary depending on temperature and type of fluid; a safety factor of 1.4 must be applied. Torque can drop on high frequency of operations. The actuator/valve sizing, indicated on the following pages, are based for valves to be used with liquids or gaseous fluids, clean, and for medium temperatures. For further information, or different uses please contact our technical department.

Dimensions and materials free shaft valve



FREE SHAFT

| 678 Valve codes in standard execution | | | | | | | | | | |
|---------------------------------------|----------------|----------|----------------|----------|--------------|--------------|--------------|--------------|---------------|---------------|
| Size | DN 40 1"1/2 | DN 50 2" | DN 65 2"1/2 | DN 80 3" | DN 100 4" | DN 125 5" | DN 150 6" | DN 200 8" | DN 250 10" | DN 300 12" |
| Free shaft | V678PE68 | V678PE69 | V678PE70 | V678PE71 | V678PE72 | V678PE73 | V678PE74 | V678PE75 | V678PE76 | V678PE77 |
| weight Kg. | 0,6 | 0,8 | 1 | 1,4 | 1,75 | 2,55 | 3,3 | 6 | 12 | 19 |
| with lever | L678PE68 | L678PE69 | L678PE70 | L678PE71 | L678PE72 | L678PE73 | L678PE74 | L678PE75 | | |
| weight Kg. | 0,9 | 1 | 1,47 | 1,87 | 2,22 | 3,1 | 3,85 | 6,75 | | |

DIMENSIONS

| Size | PN | A | B | C | D | E | F | G | H | L | M | N | P | n° holes |
|------|----|---|---|---|---|---|---|---|---|---|---|---|---|----------|
|------|----|---|---|---|---|---|---|---|---|---|---|---|---|----------|

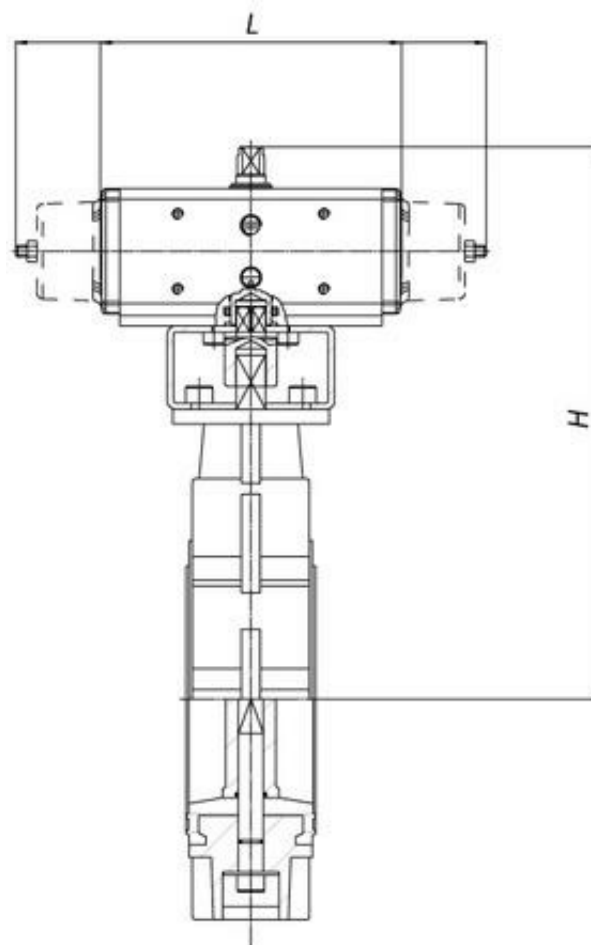
| | | | | | | | | | | | | | | |
|---------------|----|-----|-----|----|-----|-----|-------|------|-----|-----|-------|----|--------|----|
| DN40 1"1/2 | 16 | 48 | 106 | 24 | 132 | 99 | 109 | 19 | 33 | 90 | 50 | 11 | 7 | 4 |
| DN50 2" | 16 | 58 | 112 | 24 | 147 | 115 | 125,5 | 19 | 43 | 90 | 50 | 11 | 7 | 4 |
| DN65 2"1/2 | 10 | 68 | 119 | 24 | 165 | 128 | 144 | 19 | 46 | 90 | 50/70 | 11 | 07-set | 4 |
| DN80 3" | 10 | 81 | 133 | 28 | 185 | 145 | 160 | 19 | 49 | 90 | 70 | 14 | 9 | 8 |
| DN100 4" | 10 | 95 | 147 | 28 | 211 | 165 | 190 | 19 | 56 | 90 | 70 | 14 | 9 | 8 |
| DN125 5" | 10 | 108 | 167 | 31 | 240 | 204 | 215 | 23 | 64 | 90 | 70 | 17 | 9 | 8 |
| DN150 6" | 10 | 122 | 180 | 31 | 268 | 230 | 242 | 23 | 70 | 90 | 70 | 17 | 9 | 8 |
| DN200 8" | 10 | 149 | 227 | 36 | 323 | 280 | 298 | 23 | 71 | 175 | 102 | 22 | 11 | 8 |
| DN250 10" | 10 | 198 | 248 | 41 | 405 | 335 | 362 | 25,4 | 114 | 175 | 102 | 27 | 11 | 12 |
| DN300 12" | 8 | 233 | 305 | 41 | 475 | 390 | 432 | 29 | 114 | 175 | 102 | 27 | 11 | 12 |

MATERIALS

| | |
|-----------------|------------|
| 1) Body | PP-GR |
| 2) Disc | PVC-C |
| 3) Shaft | ACC. INOX |
| 4) O-ring | EPDM o FPM |
| 5) Ring | P.T.F.E. |
| 6) Sealing | EPDM o FPM |
| 7) Shaft o-ring | EPDM o FPM |



Drives - double acting pneumatic actuator

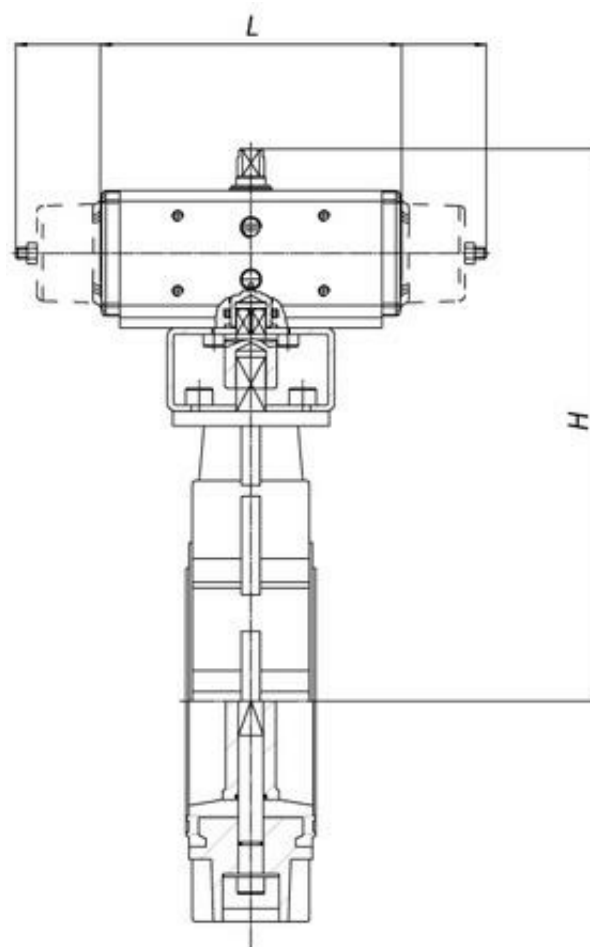


| Model | Actuator | Mounting kit | DN mm | " | L mm | H mm | Weight Kg |
|----------|-----------|--------------|-------|-------|------|------|-----------|
| D678PE68 | DA015411S | KCF033203 | 40 | 1"1/2 | 152 | 218 | 1,3 |
| D678PE69 | DA015411S | KCF033203 | 50 | 2" | 152 | 224 | 1,5 |
| D678PE70 | DA030411S | KCF033203 | 65 | 2"1/2 | 168 | 239 | 2 |
| D678PE71 | DA045412S | KCF043945 | 80 | 3" | 182 | 259 | 2,6 |
| D678PE72 | DA060412S | KCF043945 | 100 | 4" | 190 | 277 | 3,3 |
| D678PE73 | DA090411S | KCF053946 | 125 | 5" | 224 | 304 | 4,4 |
| D678PE74 | DA120411S | KCF053946 | 150 | 6" | 240 | 336 | 6,1 |
| D678PE75 | DA240411S | KCF073202 | 200 | 8" | 314 | 403 | 11,3 |
| D678PE76 | DA480411S | KCF103210 | 250 | 10" | 365 | 468 | 20,4 |
| D678PE77 | DA480411S | KCF103210 | 300 | 12" | 365 | 525 | 27,4 |

The sizing of pneumatic actuators has been done considering a minimum supply pressure of 5,6 barg.



Drives - spring return pneumatic actuator



| Model | Actuator | Mounting kit | DN mm | " | L mm | H mm | Weight Kg |
|----------|-----------|--------------|-------|-------|------|------|-----------|
| S678PE68 | SR015401S | KCF033203 | 40 | 1"1/2 | 221 | 226 | 1,9 |
| S678PE69 | SR015401S | KCF033203 | 50 | 2" | 221 | 232 | 2,1 |
| S678PE70 | SR030402S | KCF044255 | 65 | 2"1/2 | 240 | 249 | 3 |
| S678PE71 | SR045401S | KCF053948 | 80 | 3" | 294 | 230 | 3,8 |
| S678PE72 | SR060401S | KCF053948 | 100 | 4" | 319 | 263 | 5,3 |
| S678PE73 | SR090401S | KCF073947 | 125 | 5" | 357 | 293 | 7,2 |
| S678PE74 | SR120401S | KCF073947 | 150 | 6" | 368 | 316 | 10 |
| S678PE75 | SR240401S | KCF104258 | 200 | 8" | 456 | 387 | 17 |
| S678PE76 | SR480401S | KCF123207 | 250 | 10" | 602 | 431 | 31,2 |
| S678PE77 | SR480401S | KCF123207 | 300 | 12" | 602 | 488 | 38,2 |

The sizing of pneumatic actuators has been done considering a minimum supply pressure of 5,6 barg.

