

BUTTERFLY VALVES

Butterfly valves

ITEM 385,386,387 - Butterfly valve to be inserted between flanges, "Lug" type.

features

features and benefits

seals kit

dimensions and materials

valve codes free shaft

connection kit

drives



Features

Standard executions:

Available range: from DN 40 to DN 300

PN 10 - PN 16

Standard flanges: PN 10=PN 16 - from DN 40 to DN 150;

PN 10 or PN 16 from DN 200 to DN 300.

On request PN 16 from DN 200 to DN 300

General requirements in accordance with UNI EN593

Face to face as per EN 558 serie 20

Valve head as per ISO 5211

Tightness as per EN 12266-1 rate A

Other tests on request.

Working temperature: EPDM from -40°C to +135°C ; NBR from -23°C to +82°C; FKM from -10°C to +190°C; PTFE from -25°C to +150°C

Working pressure between flanges: PN 16 bar for DN 40 to DN 150; PN 10 or PN 16 bar for DN 200 to DN 300

On request:

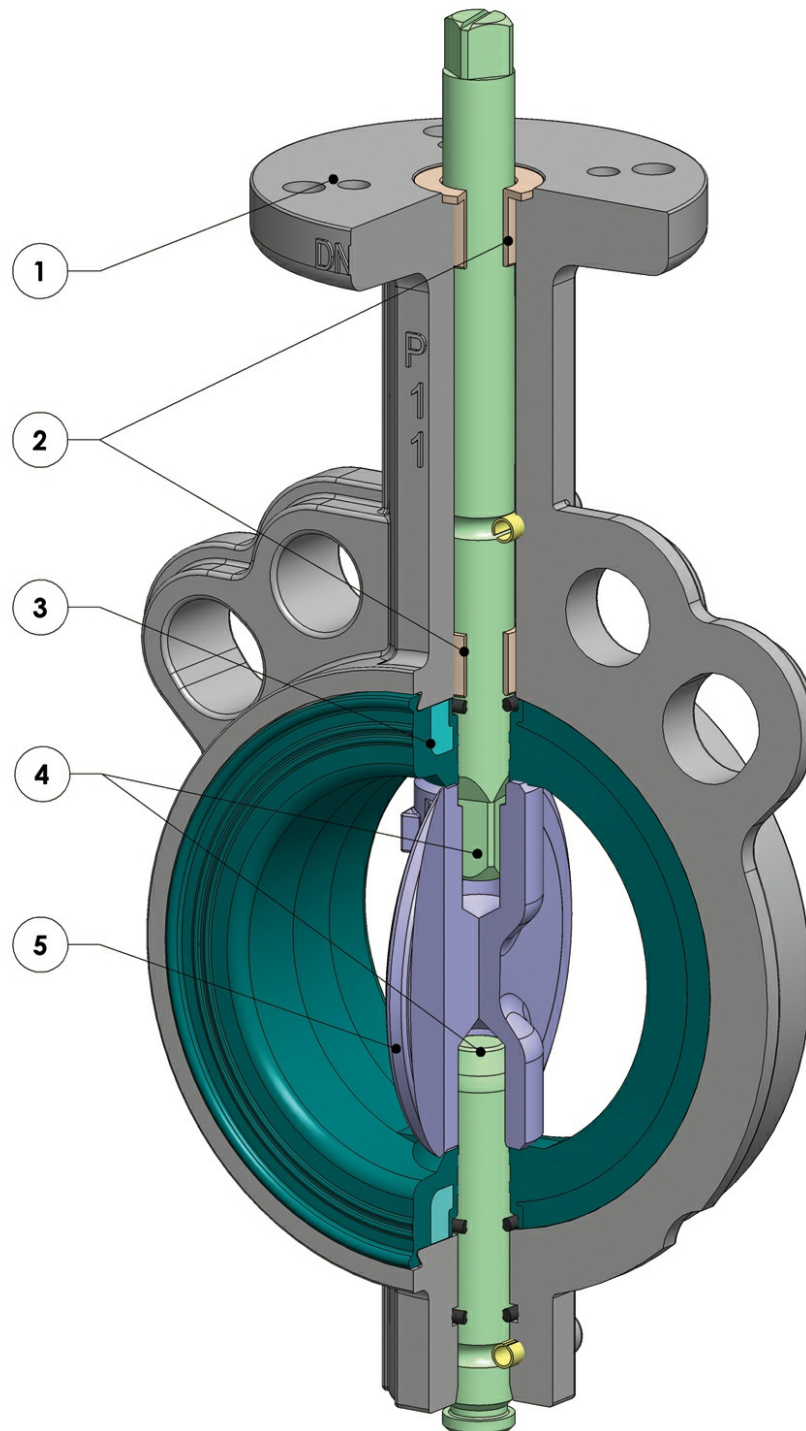
Working temperature: SILICONE from -50°C to +160°C; NBR CARBOX from -10°C to +82°C; NBR WHITE for food from -23°C to +82°C;

HNBR from -30°C to +100°C

For other applications, please contact our technical department.

Features and benefits

"The image may not be representative of the product".



FEATURES & BENEFITS

1	ISO 5211 top mounting	Easy coupling with every kind of drives
2	Two guiding bushings on the shaft	It grants a perfect alignment of the shaft on the body and prevents oscillations even with high pressure Less friction between the shaft and body.
3	Vulcanized liner on rigid ring	Less deformation of the liner Easy assembly / disassembly of the liner for maintenance No deformation of the liner during assembly between the flanges during assembly Greater dimensional accuracy during the injection/molding

4	Shaft in 2 pieces without fixing components	Easy assembly / disassembly of the disc for maintenance
		Higher Kv thanks to the central section of the disk thinner than a valve with a single shaft
5	Lapped surface of the disc's circumference	Better tightness and less wear of the liner
		Lower torque due to less friction between the disc and liner
	Wide range of LINER materials	Various applications possibility
	ATEX Certificate	Installation is allowed in a potential explosive environment
	PED Certificate	Full compliance with European Safety Standards for Pressure Equipment

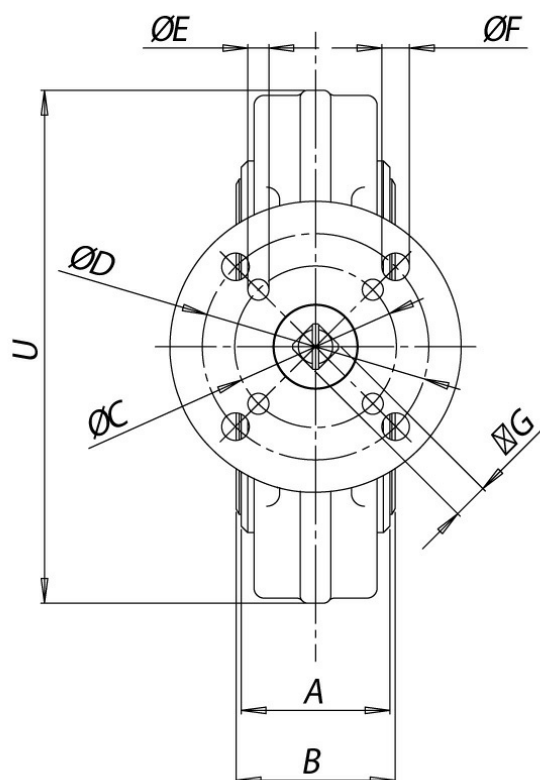
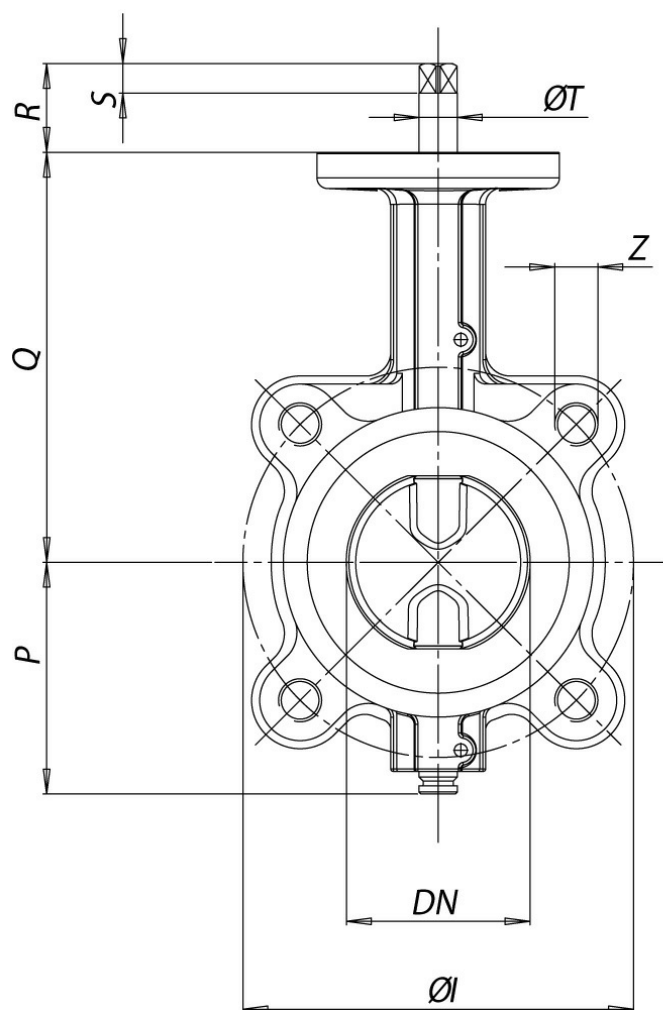
Seals kit

SEALS KIT

CAST IRON - STAINLESS STEEL AND BRONZE ALUMINIUM BUTTERFLY

LINER	EPDM	NBR	FKM	WHITE NBR	NBR CARBOX	DVGW
DN 40 PN 10-16	KGFE0068	KGFN0068	KGFV0068	KGFA0068	KGFC0068	KGFG0068
DN 50 PN 10-16	KGFE0069	KGFN0069	KGFV0069	KGFA0069	KGFC0069	KGFG0069
DN 65 PN 10-16	KGFE0070	KGFN0070	KGFV0070	KGFA0070	KGFC0070	KGFG0070
DN 80 PN 10-16	KGFE0071	KGFN0071	KGFV0071	KGFA0071	KGFC0071	KGFG0071
DN 100 PN 10-16	KGFE0072	KGFN0072	KGFV0072	KGFA0072	KGFC0072	KGFG0072
DN 125 PN 10-16	KGFE0073	KGFN0073	KGFV0073	KGFA0073	KGFC0073	KGFG0073
DN 150 PN 10-16	KGFE0074	KGFN0074	KGFV0074	KGFA0074	KGFC0074	KGFG0074
DN 200 PN 10	KGFE0075	KGFN0075	KGFV0075	KGFA0075	KGFC0075	KGFG0075
DN 250 PN 10	KGFE0076	KGFN0076	KGFV0076	KGFA0076	KGFC0076	KGFG0076
DN 300 PN 10	KGFE0077	KGFN0077	KGFV0077	KGFA0077	KGFC0077	KGFG0077
DN 200 PN 16	KGFE0075	KGFN0075	KGFV0075	KGFA0075	KGFC0075	KGFG0075
DN 250 PN 16	KGFE0076	KGFN0076	KGFV0076	KGFA0076	KGFC0076	KGFG0076
DN 300 PN 16	KGFE0077	KGFN0077	KGFV0077	KGFA0077	KGFC0077	KGFG0077

Dimensions and materials - Free shaft



**A: Scartamento valvola
Face to Face**

**B: Guarnizioni non compresse
Liner not compressed**

DIMENSION

Size	PN	A	B	øC	øD	øE	øF	G	i	p	q	r	s	t	u	z	holes
DN 40 1"1/2	10-16	33	36	50	70	6,5	8,5	9	110	70	125	31	9	14,2	118	M16	4
DN 50 2"	10-16	43	46	50	70	6,5	8,5	9	125	80	140	31	9	14,2	125	M16	4
DN 65 2"1/2	10-16	46	49	50	70	6,5	8,5	11	145	86	152	33	11	14,2	139	M16	4
DN 80 3"	10-16	46	49	50	70	6,5	8,5	11	160	95,5	159	33	11	14,2	184	M16	8
DN 100 4"	10-16	52	56	50	70	6,5	8,5	11	180	108	178	33	11	14,2	204	M16	8
DN 125 5"	10-16	56	59	70		8,5		14	210	124,5	190,5	36	14	19	230	M16	8
DN 150 6"	10-16	56	59	70		8,5		14	240	137	203	36	14	19	266	M20	8
DN 200 8"	16	60	64	70		8,5		17	295	166	238	39	17	22,2	329	M20	12
DN 250 10"	16	68	72	102	125	11	13	22	355	199	268	55	22	28,5	395	M24	12
DN 300 12"	16	78	81,5	102	125	11	13	22	410	234	306	55	22	28,5	448	M24	12

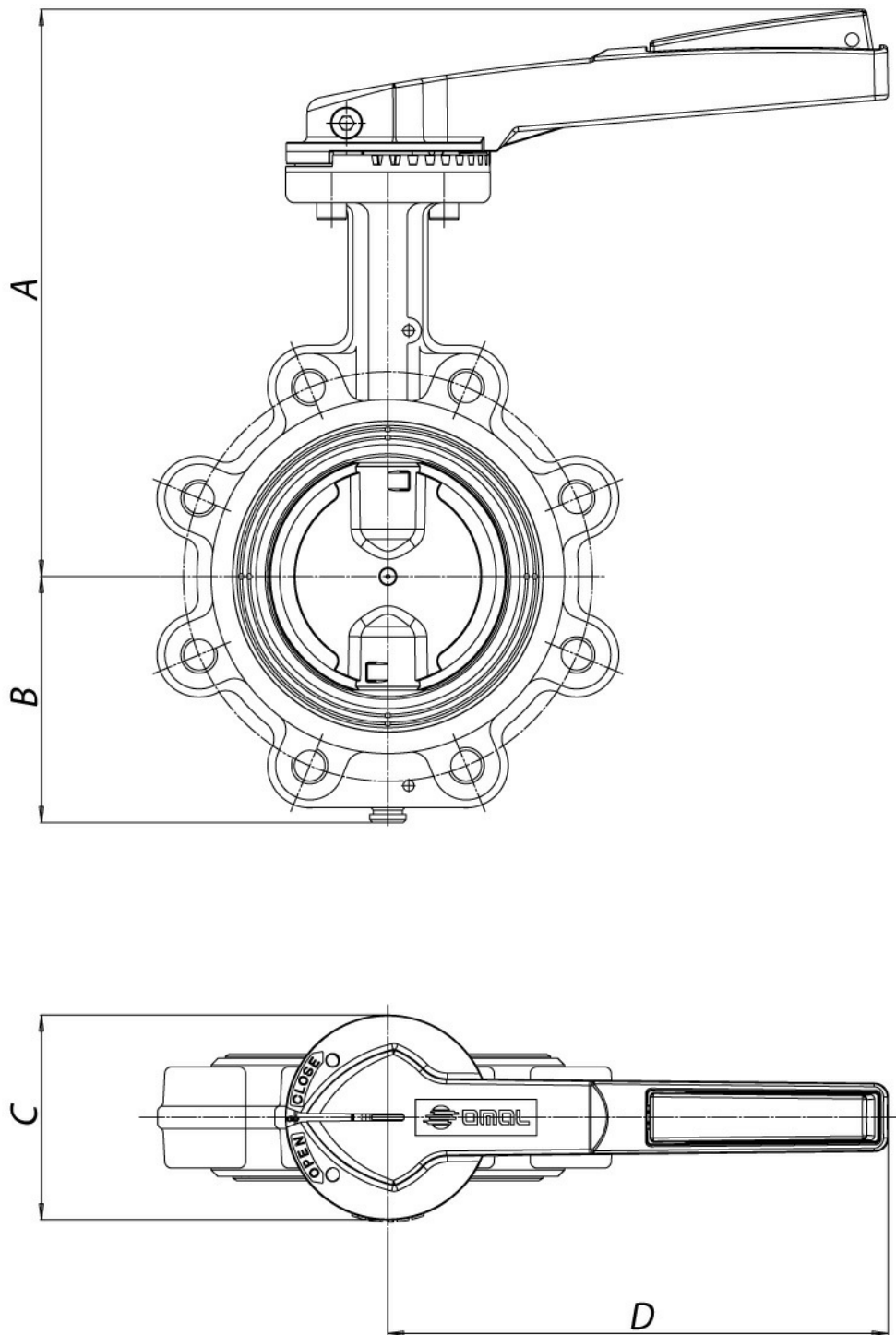
DN 200 8"	10	60	64	70		8,5		17	295	166	238	39	17	22,2	318	M20	8
DN 250 10"	10	68	72	102	125	11	13	17	350	199	268	50	17	28,5	395	M20	12
DN 300 12"	10	78	81,5	102	125	11	13	22	400	234	306	55	22	28,5	448	M20	12

BREAKAWAY TORQUES Nm

Size	DN 40 1"1/2	DN 50 2"	DN 65 2"1/2	DN 80 3"	DN 100 4"	DN 125 5"	DN 150* 6"	DN 200 8"	DN 250 10"	DN 300 12"
PN 10 bar	15	15	17	19	27	36	54	109	145	218
PN 16 bar	18	18	25	27	35	52	72	142	170	250

Torque can vary depending on temperature and type of fluid; a safety factor of 1.4 must be applied. Torque can drop on high frequency of operations.
The actuator/valve sizing, indicated on the following pages, are based for valves to be used with liquids or gaseous fluids, clean, and for medium temperatures. For further information, or different uses please contact our technical department.

Dimensions and materials - With manual



VALVE 385-386-387 WITH LEVER

Size	A	B	øC	D	Kg
DN 40	188	70	90	160	2,5
DN 50	203	80	90	160	3,4
DN 65	225	86	90	220	4,3
DN 80	230	95,5	90	220	5,5
DN 100	250	108	90	220	6,6
DN 125	277	124,5	90	350	9
DN 150	290	137	90	350	11,4
DN 200	325	166	90	350	17,5
DN 250	395	199	175	500	26,8

DN 300	432	234	175	500	41,8
--------	-----	-----	-----	-----	------

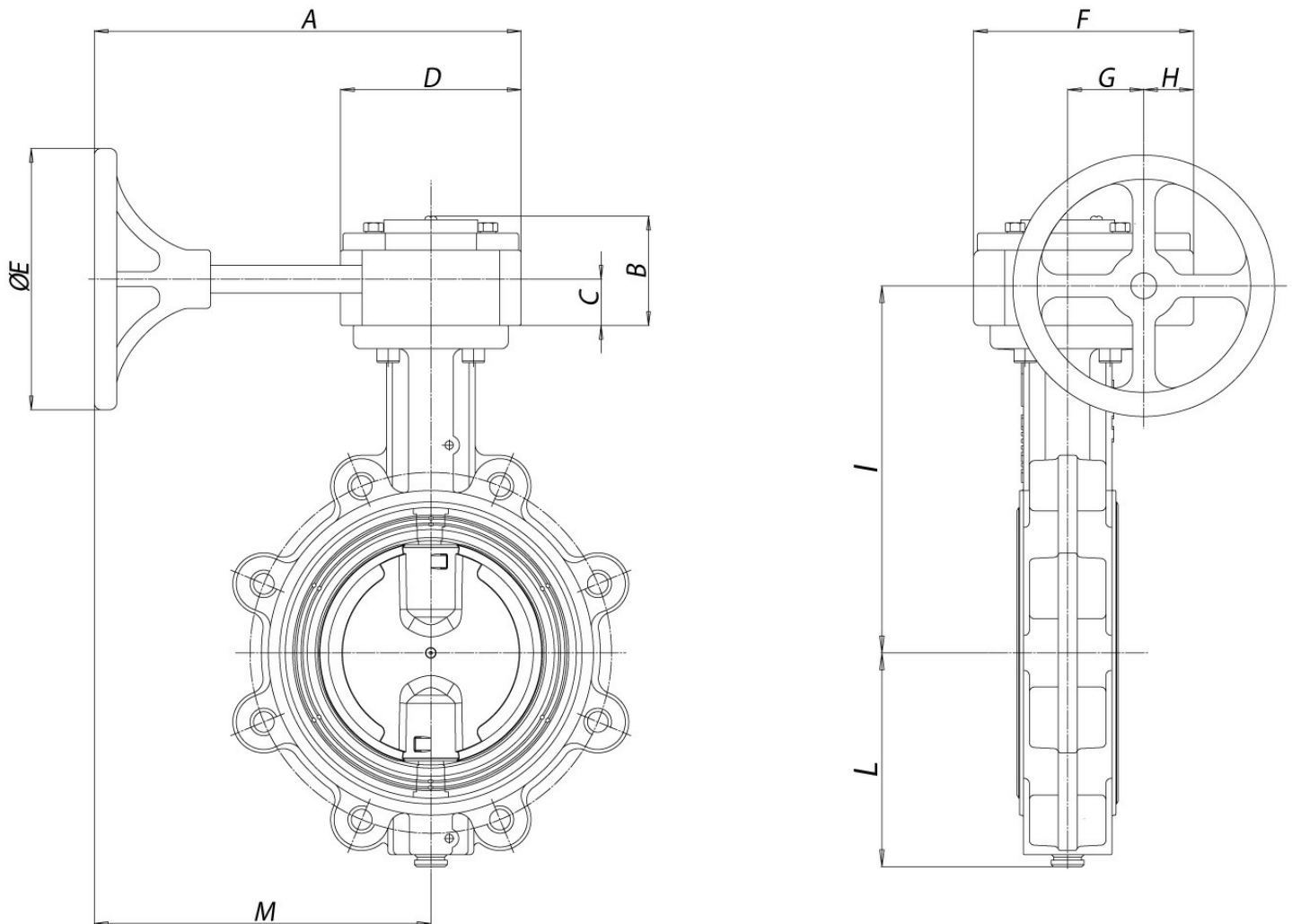
LEVER FEATURES

10-position lever; lockable in each position.

Material: Aluminium.

Surface coating: polyester.

Weight: from 0,3 to 0,9 Kg.



VALVE 385-386-387 WITH GEAR BOX

Size	PN	A	B	C	D	øE	F	G	H	i	L	M	Kg
DN 40 1"1/2	10-6	200	49	24	80	140	115	42	35	171,2	70	160	3,6
DN 50 2"	10-6	200	49	24	80	140	115	42	35	185,9	80	160	4,5
DN 65 2"1/2	10-6	200	54	27	100	200	130	50	40	201,6	86	150	5,9
DN 80 3"	10-6	200	54	27	100	200	130	50	40	208	95,5	150	7,1
DN 100 4"	10-6	200	54	27	100	200	130	50	40	227	108	150	8,2
DN 125 5"	10-6	200	54	27	100	200	130	50	40	239,7	124,5	150	10,2
DN 150 6"	10-6	200	54	27	100	200	130	50	40	252,4	137	150	12
DN 200 8"	16	250	70,5	40,5	140	300	175	60	60	300,7	166	180	21,6
DN 250 10"	16	250	70,5	40,5	140	300	175	60	60	342	199	180	29,8
DN 300 12"	16	250	70,5	40,5	140	300	175	60	60	380	234	180	45,1

DN 200 8"	10	250	70,5	40,5	140	300	175	60	60	300,7	166	180	21,6
DN 250 10"	10	250	70,5	40,5	140	300	175	60	60	342	199	180	29,8
DN 300 12"	10	250	70,5	40,5	140	300	175	60	60	380	234	180	45,1

GEAR BOX FEATURES

Designed tested mechanism, working through pinion and worm.

Visual indicator gives the position of the valve.

Alluminium alloy carter for the gear box "RF0 " type, cast iron for the gear box "RW008 " Type.

Cast iron pinion.

Worm gear in hardened steel.

Steel wheel for the gear box "RF0 " type, cast iron weel for the gear box "RW008 " Type.

Epoxy painted external surface.

Valve codes free shaft

CAST IRON butterfly

LINER	EPDM	NBR	NBR CARBOX
DN 40 PN 10-16	V385XE68	V385XN68	V385XC68
DN 50 PN 10-16	V385XE69	V385XN69	V385XC69
DN 65 PN 10-16	V385XE70	V385XN70	V385XC70
DN 80 PN 10-16	V385XE71	V385XN71	V385XC71
DN 100 PN 10-16	V385XE72	V385XN72	V385XC72
DN 125 PN 10-16	V385XE73	V385XN73	V385XC73
DN 150 PN 10-16	V385XE74	V385XN74	V385XC74
DN 200 PN 10	V385KE75	V385KN75	V385KC75
DN 250 PN 10	V385KE76	V385KN76	V385KC76
DN 300 PN 10	V385KE77	V385KN77	V385KC77
DN 200 PN 16*	V385FE75	V385FN75	V385FC75
DN 250 PN 16*	V385FE76	V385FN76	V385FC76
DN 300 PN 16*	V385FE77	V385FN77	V385FC77

* ON REQUEST

Please add "YX" at the end of the code for the Atex version

AISI316 butterfly

LINER	EPDM	NBR	FKM	ON REQUEST	DVGW	WHITE NBR	NBR WATER
DN 40 PN 10-16	V386XE68	V386XN68	V386XV68	V386XT68	V386XN68GA	V386XB68	V386XW68NF
DN 50 PN 10-16	V386XE69	V386XN69	V386XV69	V386XT69	V386XN69GA	V386XB69	V386XW69NF
DN 65 PN 10-16	V386XE70	V386XN70	V386XV70	V386XT70	V386XN70GA	V386XB70	V386XW70NF
DN 80 PN 10-16	V386XE71	V386XN71	V386XV71	V386XT71	V386XN71GA	V386XB71	V386XW71NF
DN 100 PN 10-16	V386XE72	V386XN72	V386XV72	V386XT72	V386XN72GA	V386XB72	V386XW72NF
DN 125 PN 10-16	V386XE73	V386XN73	V386XV73	V386XT73	V386XN73GA	V386XB73	V386XW73NF
DN 150 PN 10-16	V386XE74	V386XN74	V386XV74	V386XT74	V386XN74GA	V386XB74	V386XW74NF
DN 200 PN 10	V386KE75	V386KN75	V386KV75	V386KT75	V386KN75GA	V386KB75	V386KW75NF

DN 250 PN 10	V386KE76	V386KN76	V386KV76	V386KT76	V386KN76GA	V386KB76	V386KW76NF
DN 300 PN 10	V386KE77	V386KN77	V386KV77	V386KT77	V386KN77GA	V386KB77	V386KW77NF
DN 200 PN 16*	V386FE75	V386FN75	V386FV75	V386FT75	V386FN75GA	V386FB75	V386FW75NF
DN 250 PN 16*	V386FE76	V386FN76	V386FV76	V386FT76	V386FN76GA	V386FB76	V386FW76NF
DN 300 PN 16*	V386FE77	V386FN77	V386FV77	V386FT77	V386FN77GA	V386FB77	V386FN77NF

* ON REQUEST

Please add "YX" at the end of the code for the Atex version

BRONZE ALLUMINIUM butterfly

LINER	EPDM	NBR
DN 40 PN 10-16	V387XE68	V387XN68
DN 50 PN 10-16	V387XE69	V387XN69
DN 65 PN 10-16	V387XE70	V387XN70
DN 80 PN 10-16	V387XE71	V387XN71
DN 100 PN 10-16	V387XE72	V387XN72
DN 125 PN 10-16	V387XE73	V387XN73
DN 150 PN 10-16	V387XE74	V387XN74
DN 200 PN 10	V387KE75	V387KN75
DN 250 PN 10	V387KE76	V387KN76
DN 300 PN 10	V387KE77	V387KN77
DN 200 PN 16*	V387FE75	V387FN75
DN 250 PN 16*	V387FE76	V387FN76
DN 300 PN 16*	V387FE77	V387FN77

* ON REQUEST

Please add "YX" at the end of the code for the Atex version

Connection kit

valve-actuator connection kit

VALVE SIZE	ACTUATOR	CONNECTION KIT
DN 40 PN 10-16	DA 30	KCF042896
	SR 30 (F03-F05)	KCF042895
	EA 35	KCF052925
	AM 50	KCE282926
DN 50 PN 10-16	DA 30	KCF042896
	SR 30 (F03-F05)	KCF042895
	EA 35	KCF052925
	AM 50	KCE282926
DN 65 PN 10-16	DA 45 (F03-F05)	KCF042896
	SR 45	KCF052897
	EA 35	KCF052897
	AM 50	KCE282927
DN 80 PN 10-16	DA 45 (F03-F05)	KCF042896
	SR 45	KCF052897
	EA 35	KCF052897
	AM 50	KCE282927
DN 100 PN 10-16	DA 60 (F03-F05)	KCF042896
	SR 60	KCF052897
	EA 70	KCF052897
	AM 100	KCE282927
DN 125 PN 10-16	DA 90	KCF052898
	SR 90	KCF072899
	EA 130	KCF072899
	AM 100	KCE282928
DN 150 PN 10-16	DA 120	KCF052898
	SR 120	KCF072899
	EA 130	KCF052898
	AM 200	KCE362929
DN 200 PN 16	DA 240	KCF052898
	SR 240	KCF102900
	EA 240	KCF102900
	AM 200	KCE362930
DN 250 PN 16	DA 360	KCF102901
	SR 360	KCF122902
	AE 400	KCE363035
	AM 500	KCE562932
DN 300 PN 16	DA 480	KCF102901
	SR 480	KCF122902
	AE 600	KCE562932
	AM 500	KCE562932

DN 200 PN 10	DA 180	KCF052898
	SR 180	KCF102900
	EA 240	KCF102900
	AM 200	KCE362930
DN 250 PN 10	DA 240	KCF072906
	SR 240	KCF103034
	EA 240	KCF103034
	AM 500	KCE563036
DN 300 PN 10	DA 360	KCF102901
	SR360	KCF122902
	AE 400	KCE362931
	AM 500	KCE562932



Drives - with lever

CAST IRON butterfly

LINER	EPDM	NBR	NBR CARBOX	LEVER
DN 40 PN 10-16	L385XE68	L385XN68	L385XC68	KLW37569
DN 50 PN 10-16	L385XE69	L385XN69	L385XC69	KLW37569
DN 65 PN 10-16	L385XE70	L385XN70	L385XC70	KLW37570
DN 80 PN 10-16	L385XE71	L385XN71	L385XC71	KLW37570
DN100 PN 10-16	L385XE72	L385XN72	L385XC72	KLW37570
DN125 PN 10-16	L385XE73	L385XN73	L385XC73	KLW37573
DN150 PN 10-16	L385XE74	L385XN74	L385XC74	KLW37573
DN 200 PN 10	L385KE75	L385KN75	L385KC75	KLW37575
DN 250 PN 10	L385KE76	L385KN76	L385KC76	KLW37576
DN 300 PN 10	L385KE77	L385KN77	L385KC77	KLW37576
DN 200 PN 16*	L385FE75	L385FN75	L385FC75	KLW37575
DN 250 PN 16*	L385FE76	L385FN76	L385FC76	KLW37576
DN 300 PN 16*	L385FE77	L385FN77	L385FC77	KLW37576

* on request

Please add "YX" at the end of the code for the ATEX version

AISI316 butterfly

LINER	EPDM	NBR	FKM	PTFE ON REQUEST	DVGW	WHITE NBR	NBR WATER	LEVER
DN 40 PN 10-16	L386XE68	L386XN68	L386XV68	L386XT68	L386XN68GA	L386XB68	L386XW68NF	KLW37569**
DN 50 PN 10-16	L386XE69	L386XN69	L386XV69	L386XT69	L386XN69GA	L386XB69	L386XW69NF	KLW37569**
DN 65 PN 10-16	L386XE70	L386XN70	L386XV70	L386XT70	L386XN70GA	L386XB70	L386XW70NF	KLW37570**
DN 80 PN 10-16	L386XE71	L386XN71	L386XV71	L386XT71	L386XN71GA	L386XB71	L386XW71NF	KLW37570**
DN100 PN 10-16	L386XE72	L386XN72	L386XV72	L386XT72	L386XN72GA	L386XB72	L386XW72NF	KLW37570**
DN125 PN 10-16	L386XE73	L386XN73	L386XV73	L386XT73	L386XN73GA	L386XB73	L386XW73NF	KLW37573**
DN150 PN 10-16	L386XE74	L386XN74	L386XV74	L386XT74	L386XN74GA	L386XB74	L386XW74NF	KLW37573**

DN 200 PN 10	L386KE75	L386KN75	L386KV75	L386KT75	L386KN75GA	L386KB75	L386KW75NF	KLW37575**
DN 250 PN 10	L386KE76	L386KN76	L386KV76	L386KT76	L386KN76GA	L386KB76	L386KW76NF	KLW37576**
DN 300 PN 10	L386KE77	L386KN77	L386KV77	L386KT77	L386KN77GA	L386KB77	L386KW77NF	KLW37576**
DN 200 PN 16*	L386FE75	L386FN75	L386FV75	L386FT75	L386FN75GA	L386FB75	L386FW75NF	KLW37575**
DN 250 PN 16*	L386FE76	L386FN76	L386FV76	L386FT76	L386FN76GA	L386FB76	L386FW76NF	KLW37576**
DN 300 PN 16*	L386FE77	L386FN77	L386FV77	L386FT77	L386FN77GA	L386FB77	L386FW77NF	KLW37576**

* On request

**Please add "GI" at the end of the code for the DVGW version

Please add "YX" at the end of the code for the Atex version

BRONZE ALLUMINIUM butterfly			
LINER	EPDM	NBR	LEVER
DN 40 PN 10-16	L387XE68	L387XN68	KLW37569
DN 50 PN 10-16	L387XE69	L387XN69	KLW37569
DN 65 PN 10-16	L387XE70	L387XN70	KLW37570
DN 80 PN 10-16	L387XE71	L387XN71	KLW37570
DN100 PN 10-16	L387XE72	L387XN72	KLW37570
DN125 PN 10-16	L387XE73	L387XN73	KLW37573
DN150 PN 10-16	L387XE74	L387XN74	KLW37573
DN 200 PN 10	L387KE75	L387KN75	KLW37575
DN 250 PN 10	L387KE76	L387KN76	KLW37576
DN 300 PN 10	L387KE77	L387KN77	KLW37576
DN 200 PN 16*	L387FE75	L387FN75	KLW37575
DN 250 PN 16*	L387FE76	L387FN76	KLW37576
DN 300 PN 16*	L387FE77	L387FN77	KLW37576

* on request

Please add "YX" at the end of the code for the Atex version



Drives - with gear box

CAST IRON butterfly					
LINER	EPDM	NBR	NBR CARBOX	GEAR BOX	KIT VALVE-GEAR-BOX
DN40 PN10-16	R385XE68	R385XN68	R385XC68	RF01070900	KCF052898
DN50 PN10-16	R385XE69	R385XN69	R385XC69	RF01070900	KCF052898
DN65 PN10-16	R385XE70	R385XN70	R385XC70	RF02071400	KCF074035
DN80 PN10-16	R385XE71	R385XN71	R385XC71	RF02071400	KCF074035
DN100 PN10-16	R385XE72	R385XN72	R385XC72	RF02071400	KCF074035
DN125 PN10-16	R385XE73	R385XN73	R385XC73	RF02071400	KCF052898
DN150 PN10-16	R385XE74	R385XN74	R385XC74	RF02071400	KCF052898
DN200 PN10	R385KE75	R385KN75	R385KC75	RF04122200	KCF124037
DN250 PN10	R385KE76	R385KN76	R385KC76	RF04122200	KCF124039
DN300 PN10	R385KE77	R385KN77	R385KC77	RF04122200	KCF124038
DN200 PN16*	R385FE75	R385FN75	R385FC75	RF04122200	KCF124037
DN250 PN16*	R385FE76	R385FN76	R385FC76	RF04122200	KCF124038
DN300 PN16*	R385FE77	R385FN77	R385FC77	RF04122200	KCF124038

* on request

Please add "YX" at the end of the code for the Atex version

AISI316 butterfly									
LINER	EPDM	NBR	FKM	PTFE ON REQUEST	DVGW	WHITE NBR	NBR WATER	GEAR BOX	KIT VALVOLA-RIDUTTORE KIT VALVE-GEAR-BOX
DN40 PN10-16	R386XE68	R386XN68	R386XV68	R386XT68	R386XN68GA	R386XB68	R386xW68NF	RF01070900	KCF052898
DN50 PN10-16	R386XE69	R386XN69	R386XV69	R386XT69	R386XN69GA	R386XB69	R386xW69NF	RF01070900	KCF052898
DN65 PN10-16	R386XE70	R386XN70	R386XV70	R386XT70	R386XN70GA	R386XB70	R386xW70NF	RF02071400	KCF074035
DN80 PN10-16	R386XE71	R386XN71	R386XV71	R386XT71	R386XN71GA	R386XB71	R386xW71NF	RF02071400	KCF074035
DN100 PN10-16	R386XE72	R386XN72	R386XV72	R386XT72	R386XN72GA	R386XB72	R386xW72NF	RF02071400	KCF074035
DN125 PN10-16	R386XE73	R386XN73	R386XV73	R386XT73	R386XN73GA	R386XB73	R386xW73NF	RF02071400	KCF052898
DN150 PN10-16	R386XE74	R386XN74	R386XV74	R386XT74	R386XN74GA	R386XB74	R386xW74NF	RF02071400	KCF052898

DN200 PN10	R386KE75	R386KN75	R386KV75	R386KT75	R386KN75GA	R386KB75	R386kW75NF	RF04122200	KCF124037
DN250 PN10	R386KE76	R386KN76	R386KV76	R386KT76	R386KN76GA	R386KB76	R386kW76NF	RF04122200	KCF124039
DN300 PN10	R386KE77	R386KN77	R376KV77	R386KT77	R386KN77GA	R386KB77	R386kW77NF	RF04122200	KCF124038
DN200 PN16*	R386FE75	R386FN75	R386FV75	R386FT75	R386FN75GA	R386FB75	R386fW75NF	RF04122200	KCF124037
DN250 PN16*	R386FE76	R386FN76	R386FV76	R386FT76	R386FN76GA	R386FB76	R386fW76NF	RF04122200	KCF124038
DN300 PN16*	R386FE77	R386FN77	R386FV77	R386FT77	R386FN77GA	R386FB77	R386fW77NF	RF04122200	KCF124038

on request

Please add "YX" at the end of the code for the Atex version

BRONZE ALLUMINIUM butterfly

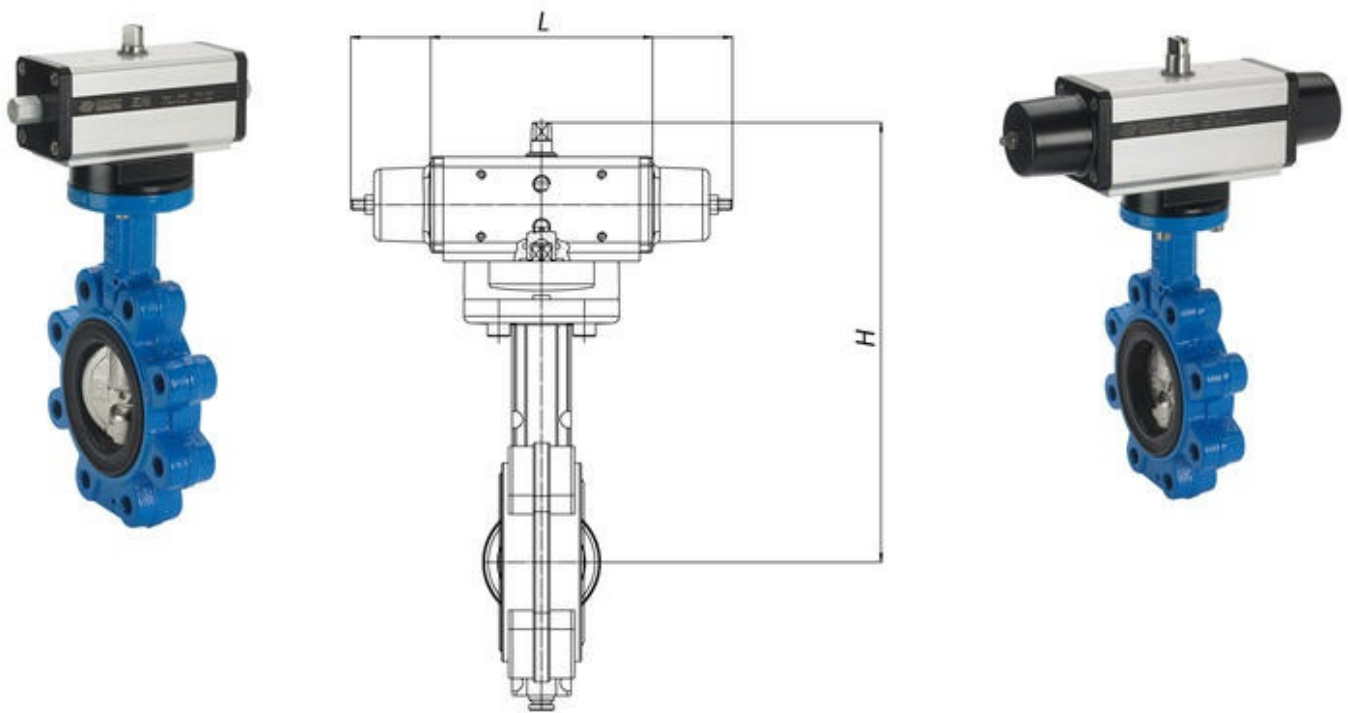
LINER	EPDM	NBR	GEAR BOX	KIT VALVE-GEAR-BOX
DN40 PN10-16	R387XE68	R387XN68	RF01070900	KCF052898
DN50 PN10-16	R387XE69	R387XN69	RF01070900	KCF052898
DN65 PN10-16	R387XE70	R387XN70	RF02071400	KCF074035
DN80 PN10-16	R387XE71	R387XN71	RF02071400	KCF074035
DN100 PN10-16	R387XE72	R387XN72	RF02071400	KCF074035
DN125 PN10-16	R387XE73	R387XN73	RF02071400	KCF052898
DN150 PN10-16	R387XE74	R387XN74	RF02071400	KCF052898
DN200 PN10	R387KE75	R387KN75	RF04122200	KCF124037
DN250 PN10	R387KE76	R387KN76	RF04122200	KCF124039
DN300 PN10	R387KE77	R387KN77	RF04122200	KCF124038
DN200 PN16*	R387FE75	R387FN75	RF04122200	KCF124037
DN250 PN16*	R387FE76	R387FN76	RF04122200	KCF124038
DN300 PN16*	R387FE77	R387FN77	RF04122200	KCF124038

* on request

Please add "YX" at the end of the code for the Atex version



Drives - pneumatic actuator



valve with double acting pneumatic actuator

	DN 40 PN 10-16	DN 50 PN 10-16	DN 65 PN 10-16	DN 80 PN 10-16	DN 100 PN 10-16	DN 125 PN 10-16	DN 150 PN 10-16	DN 200 PN 10-16	DN 250 PN 10-16	DN 300 PN 10-16	DN 200 PN 10	DN 250 PN 10	DN 300 PN 10
L mm	168	168	182	182	190	225	240	314	336	365	268	314	336
H mm	242	242	260	267	290	310	342	397	449	500	387	438	488
Kg.	3,3	4,2	5	6,2	7,6	9,9	12,6	22,2	32,3	48,8	20,3	30,4	47,6

valve with spring return pneumatic actuator

	DN 40 PN 10-16	DN 50 PN 10-16	DN 65 PN 10-16	DN 80 PN 10-16	DN 100 PN 10-16	DN 125 PN 10-16	DN 150 PN 10-16	DN 200 PN 10-16	DN 250 PN 10-16	DN 300 PN 10-16	DN 200 PN 10	DN 250 PN 10	DN 300 PN 10
L mm	240	240	294	294	320	357	368	456	566	602	436	456	566
H mm	252	252	272	279	316	339	362	421	479	523	408	461	518
Kg.	4,3	5,2	6	7,2	8,7	11,9	15,4	27,9	41	59,6	26,3	36,1	56,3

body in cast iron

CAST IRON BUTTERFLY				ACTUATOR
liner	EPDM	NBR	NBR CARBOX	
DN 40 PN 10-16	D385XE68	D385XN68	D385XC68	DA 30
	S385XE68	S385XN68	S385XC68	SR 30 (F03-F05)
DN 50 PN 10-16	D385XE69	D385XN69	D385XC69	DA 30

	S385XE69	S385XN69	S385XC69	SR 30 (F03-F05)
DN 65 PN 10-16	D385XE70	D385XN70	D385XC70	DA 45 (F03-F05)
	S385XE70	S385XN70	S385XC70	SR 45
DN 80 PN 10-16	D385XE71	D385XN71	D385XC71	DA 45 (F03-F05)
	S385XE71	S385XN71	S385XC71	SR 45
DN 100 PN 10-16	D385XE72	D385XN72	D385XC72	DA 60 (F03-F05)
	S385XE72	S385XN72	S385XC72	SR 60
DN 125 PN 10-16	D385XE73	D385XN73	D385XC73	DA 90
	S385XE73	S385XN73	S385XC73	SR 90
DN 150 PN 10-16	D385XE74	D385XN74	D385XC74	DA 120
	S385XE74	S385XN74	S385XC74	SR 120
DN 200 PN 10	D385KE75	D385KN75	D385KC75	DA 180
	S385KE75	S385KN75	S385KC75	SR 180
DN 250 PN 10	D385KE76	D385KN76	D385KC76	DA 240
	S385KE76	S385KN76	S385KC76	SR 240
DN 300 PN 10	D385KE77	D385KN77	D385KC77	DA 360
	S385KE77	S385KN77	S385KC77	SR 360
DN 200 PN 16*	D385FE75	D385FN75	D385FC75	DA 240
	S385FE75	S385FN75	S385FC75	SR 240
DN 250 PN 16*	D385FE76	D385FN76	D385FC76	DA 360
	S385FE76	S385FN76	S385FC76	SR 360
DN 300 PN 16*	D385FE77	D385FN77	D385FC77	DA 480
	S385FE77	S385FN77	S385FC77	SR 480

*On request

Please add "YX" at the end of the code for the Atex version

The sizing of pneumatic actuators has been done considering a minimum supply pressure of 5,6 barg.

body in cast iron

AISI 316 BUTTERFLY								ACTUATOR
liner	EPDM	NBR	FKM	PTFE on request	DVGW	WHITE NBR	NBR WATER	
DN 40 PN 10-16	D386XE68	D386XN68	D386XV68	D386XT68	D386XN68GA	D386XB68	D386XW68NF	DA 30
	S386XE68	S386XN68	S386XV68	S386XT68	S386XN68GA	S386XB68	S386XW68NF	SR 30 (F03-F05)
DN 50 PN 10-16	D386XE69	D386XN69	D386XV69	D386XT69	D386XN69GA	D386XB69	D386XW69NF	DA 30
	S386XE69	S386XN69	S386XV69	S386XT69	S386XN69GA	S386XB69	S386XW69NF	SR 30 (F03-F05)
DN 65 PN 10-16	D386XE70	D386XN70	D386XV70	D386XT70	D386XN70GA	D386XB70	D386XW70NF	DA 45 (F03-F05)
	S386XE70	S386XN70	S386XV70	S386XT70	S386XN70GA	S386XB70	S386XW70NF	SR 45
DN 80 PN 10-16	D386XE71	D386XN71	D386XV71	D386XT71	D386XN71GA	D386XB71	D386XW71NF	DA 45 (F03-F05)
	S386XE71	S386XN71	S386XV71	S386XT71	S386XN71GA	S386XB71	S386XW71NF	SR 45
DN 100 PN 10-16	D386XE72	D386XN72	D386XV72	D386XT72	D386XN72GA	D386XB72	D386XW72NF	DA 60 (F03-F05)
	S386XE72	S386XN72	S386XV72	S386XT72	S386XN72GA	S386XB72	S386XW72NF	SR 60
DN 125 PN 10-16	D386XE73	D386XN73	D386XV73	D386XT73	D386XN73GA	D386XB73	D386XW73NF	DA 90

		S386XE73	S386XN73	S386XV73	S386XT73	S386XN73GA	S386XB73	S386XW73NF	SR 90
DN 150 PN 10-16		D386XE74	D386XN74	D386XV74	D386XT74	D386XN74GA	D386XB74	D386XW74NF	DA 120
		S386XE74	S386XN74	S386XV74	S386XT74	S386XN74GA	S386XB74	S386XW74NF	SR 120
DN 200 PN 10		D386KE75	D386KN75	D386KV75	---	D386KN75GA	D386KB75	D386KW75NF	DA 180
		S386KE75	S386KN75	S386KV75	---	S386KN75GA	S386KB75	S386KW75NF	SR 180
DN 250 PN 10		D386KE76	D386KN76	D386KV76	---	D386KN76GA	D386KB76	D386KW76NF	DA 240
		S386KE76	S386KN76	S386KV76	---	S386KN76GA	S386KB76	S386KW76NF	SR 240
DN 300 PN 10		D386KE77	D386KN77	D386KV77	---	D386KN77GA	D386KB77	D386KW77NF	DA 360
		S386KE77	S386KN77	S386KV77	---	S386KN77GA	S386KB77	S386KW77NF	SR 360
DN 200 PN 16*		D386FE75	D386FN75	D386FV75	D386FT75	D386FN75GA	D386FB75	D386FW75NF	DA 240
		S386FE75	S386FN75	S386FV75	S386FT75	S386FN75GA	S386FB75	S386FW75NF	SR 240
DN 250 PN 16*		D386FE76	D386FN76	D386FV76	D386FT76	D386FN76GA	D386FB76	D386FW76NF	DA 360
		S386FE76	S386FN76	S386FV76	S386FT76	S386FN76GA	S386FB76	S386FW76NF	SR 360
DN 300 PN 16*		D386FE77	D386FN77	D386FV77	D386FT77	D386FN77GA	D386FB77	D386FW77NF	DA 480
		S386FE77	S386FN77	S386FV77	S386FT77	S386FN77GA	S386FB77	S386FW77NF	SR 480

*On request

Please add "YX" at the end of the code for the Atex version

The sizing of pneumatic actuators has been done considering a minimum supply pressure of 5,6 barg.

body in cast iron

BRONZE ALLUMINIUM BUTTERFLY			ACTUATOR
liner	EPDM	NBR	
DN 40 PN 10-16	D387XE68	D387XN68	DA 30
	S387XE68	S387XN68	SR 30 (F03-F05)
DN 50 PN 10-16	D387XE69	D387XN69	DA 30
	S387XE69	S387XN69	SR 30 (F03-F05)
DN 65 PN 10-16	D387XE70	D387XN70	DA 45 (F03-F05)
	S387XE70	S387XN70	SR 45
DN 80 PN 10-16	D387XE71	D387XN71	DA 45 (F03-F05)
	S387XE71	S387XN71	SR 45
DN 100 PN 10-16	D387XE72	D387XN72	DA 60 (F03-F05)
	S387XE72	S387XN72	SR 60
DN 125 PN 10-16	D387XE73	D387XN73	DA 90
	S387XE73	S387XN73	SR 90
DN 150 PN 10-16	D387XE74	D387XN74	DA 120
	S387XE74	S387XN74	SR 120
DN 200 PN 10	D387KE75	D387KN75	DA 180
	S387KE75	S387KN75	SR 180
DN 250 PN 10	D387KE76	D387KN76	DA 240
	S387KE76	S387KN76	SR 240
DN 300 PN 10	D387KE77	D387KN77	DA 360

	S387KE77	S387KN77	SR 360
DN 200 PN 16*	D387FE75	D387FN75	DA 240
	S387FE75	S387FN75	SR 240
DN 250 PN 16*	D387FE76	D387FN76	DA 360
	S387FE76	S387FN76	SR 360
DN 300 PN 16*	D387FE77	D387FN77	DA 480
	S387FE77	S387FN77	SR 480

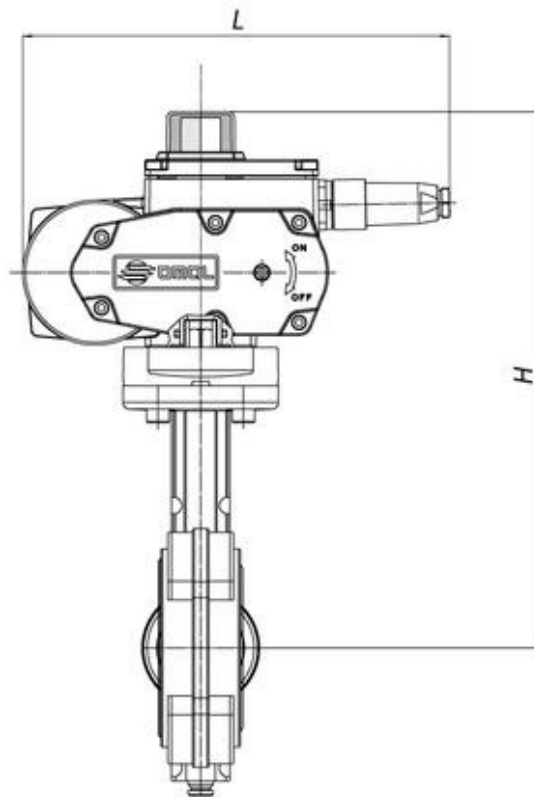
*On request

Please add "YX" at the end of the code for the Atex version

The sizing of pneumatic actuators has been done considering a minimum supply pressure of 5,6 barg.



Drives - electric actuators



valve with ON-OFF electric actuator

	DN 40 PN 10-16	DN 50 PN 10-16	DN 65 PN 10-16	DN 80 PN 10-16	DN 100 PN 10-16	DN 125 PN 10-16	DN 150 PN 10-16	DN 200 PN 10-16	DN 250 PN 10-16	DN 300 PN 10-16	DN 200 PN 10	DN 250 PN 10	DN 300 PN 10
L mm	213	213	213	213	213	213	229,5	229,5	256,5	381	229,5	229,5	256,5
H mm	284,1	298,8	314,2	317,8	336,9	349,6	383	418	486,4	573,5	418	459	524,5
Kg.	6	6,9	7,6	8,8	10,2	12,2	18	24,4	33,2	60,9	24,4	34,1	49,4

valve with rotary modulating electric actuator

	DN 40 PN 10-16	DN 50 PN 10-16	DN 65 PN 10-16	DN 80 PN 10-16	DN 100 PN 10-16	DN 125 PN 10-16	DN 150 PN 10-16	DN 200 PN 10-16	DN 250 PN 10-16	DN 300 PN 10-16	DN 200 PN 10	DN 250 PN 10	DN 300 PN 10
L mm	213	213	213	213	213	213	229,5	229,5	381	381	229,5	229,5	381
H mm	347,9	362,6	378	381,6	400,7	413,4	446,8	481,8	535,4	573,5	481,8	522,8	573,5
Kg.	6,6	7,5	8,3	9,5	10,8	12,9	18,6	25	47,9	63,2	25	33,2	63,2

body in cast iron

CAST IRON BUTTERFLY				ATUATOR
LINER	EPDM	NBR	NBR CARBOX	
DN 40 PN 10-16	C385EA5E68	C385NA5E68	C385CA5E68	EA 35
	M385E16F68	M385N16F68	M385C16F68	AM 50
DN 50 PN 10-16	C385EA5E69	C385NA5E69	C385CA5E69	EA 35
	M385E16F69	M385N16F69	M385C16F69	AM 50

DN 65 PN 10-16	C385EA5E70	C385NA5E70	C385CA5E70	EA 35
	M385E16F70	M385N16F70	M385C16F70	AM 50
DN 80 PN 10-16	C385EA5E71	C385NA5E71	C385CA5E71	EA 35
	M385E16F71	M385N16F71	M385C16F71	AM 50
DN 100 PN 10-16	C385EA5G72	C385NA5G72	C385CA5G72	EA 70
	M385E16H72	M385N16H72	M385C16H72	AM 100
DN 125 PN 10-16	C385EA5G73	C385NA5G73	C385CA5G73	EA 70
	M385E16L73	M385N16L73	M385C16L73	AM 200
DN 150 PN 10-16	C385EA5I74	C385NA5I74	C385CA5I74	EA 130
	M385E16L74	M385N16L74	M385C16L74	AM 200
DN 200 PN 10	C385EKA5K75	C385NKA5K75	C385CKA5K75	EA 240
	M385EF16L75	M385NF16L75	M385CF16L75	AM 200
DN 250 PN 10	E385EK16N76	E385NK16N76	E385CK16N76	AE 400
	M385EF16P76	M385NF16P76	M385CF16P76	AM 200
DN 300 PN 10	E385EK16R77	E385NK16R77	E385CK16R77	AE 600
	M385EK16P77	M385NK16P77	M385CK16P77	AM 500
DN 200 PN 16*	C385EFA5K75	C385NFA5K75	C385CFA5K75	EA 240
	M385EK16L75	M385NK16L75	M385CK16L75	AM 200
DN 250 PN 16*	E385EF16N76	E385NF16N76	E385CF16N76	AE 400
	M385EF16P76	M385NF16P76	M385CF16P76	AM 500
DN 300 PN 16*	E385EF16R77	E385NF16R77	E385CF16R77	AE 600
	M385EF16P77	M385NF16P77	M385CF16P77	AM 500

*On request

body in cast iron

AISI 316 BUTTERFLY								ACTUATOR
liner	EPDM	NBR	FKM	PTFE on request	DVGW	WHITE NBR	NBR WATER	
DN 40 PN 10-16	C386EA5E68	C386NA5E68	C386VA5E68	C386TA5E68	C386NA5E68GA	C386BA5E68	C386WA5E68NF	EA 35
	M386E16F68	M386N16F68	M386V16F68	M386T16F68	M386N16F68GA	M386B16F68	M386W16F68NF	AM 50
DN 50 PN 10-16	C386EA5E69	C386NA5E69	C386VA5E69	C386TA5E69	C386NA5E69GA	C386BA5E69	C386WA5E69NF	EA 35
	M386E16F69	M386N16F69	M386V16F69	M386T16F69	M386N16F69GA	M386B16F69	M386W16F69NF	AM 50
DN 65 PN 10-16	C386EA5E70	C386NA5E70	C386VA5E70	C386TA5E70	C386NA5E70GA	C386BA5E70	C386WA5E70NF	EA 35
	M386E16F70	M386N16F70	M386V16F70	M386T16F70	M386N16F70GA	M386B16F70	M386W16F70NF	AM 50
DN 80 PN 10-16	C386EA5E71	C386NA5E71	C386VA5E71	C386TA5E71	C386NA5E71GA	C386BA5E71	C386WA5E71NF	EA 35
	M386E16F71	M386N16F71	M386V16F71	M386T16F71	M386N16F71GA	M386B16F71	M386W16F71NF	AM 50
DN 100 PN	C386EA5G72	C386NA5G72	C386VA5G72	C386TA5G72	C386NA5G72GA	C386BA5G72	C386WA5G72NF	EA 70

...	10-16	M386E16H72	M386N16H72	M386V16H72	M386T16H72	M386N16H72GA	M386B16H72	M386W16H72NF	AM 100
DN 125 PN 10-16		C386EA5G73	C386NA5G73	C386VA5G73	C386TA5G73	C386NA5G73GA	C386BA5G73	C386WA5G73NF	EA 70
		M386E16L73	M386N16L73	M386V16L73	M386T16L73	M386N16L73GA	M386B16L73	M386W16L73NF	AM 200
DN 150 PN 10-16		C386EA5I74	C386NA5I74	C386VA5I74	C386TA5I74	C386NA5I74GA	C386BA5I74	C386WA5I74NF	EA 130
		M386E16L74	M386N16L74	M386V16L74	M386T16L74	M386N16L74GA	M386B16L74	M386W16L74NF	AM 200
DN 200 PN 10		C386EKA5K75	C386NKA5K75	C386VKA5K75	C386TKA5K75	C386NKA5K75GA	C386BKA5K75	C386WKA5K75NF	EA 240
		M386EF16L75	M386NF16L75	M386VF16L75	M386TF16L75	M386NF16L75GA	M386BF16L75	M386WF16L75NF	AM 200
DN 250 PN 10		E386EK16N76	E386NK16N76	E386VK16N76	E386TK16N76	E386NK16N76GA	E386BK16N76	E386WK16N76NF	AE 400
		M386EF16P76	M386NF16P76	M386VF16P76	M386TF16P76	M386NF16P76GA	M386BF16P76	M386WF16P76NF	AM 200
DN 300 PN 10		E386EK16R77	E386NK16R77	E386VK16R77	E386TK16R77	E386NK16R77GA	E386BK16R77	E386WK16R77NF	AE 400
		M386EK16P77	M386NK16P77	M386VK16P77	M386TK16P77	M386NK16P77GA	M386BK16P77	M386WK16P77NF	AM 500
DN 200 PN 16*		C386EFA5K75	C386NFA5K75	C386VFA5K75	C386TFA5K75	C386NFA5K75GA	C386BFA5K75	C386WFA5K75NF	EA 240
		M386EK16L75	M386NK16L75	M386VK16L75	M386NK16L75	M386NK16L75GA	M386BK16L75	M386WK16L75NF	AM 200
DN 250 PN 16*		E386EF16N76	E386NF16N76	E386VF16N76	E386TF16N76	E386NF16N76GA	E386BF16N76	E386WF16N76NF	AE 400
		M386EF16P76	M386NF16P76	M386VF16P76	M386TF16P76	M386NF16P76GA	M386BF16P76	M386WF16P76NF	AM 500
DN 300 PN 16*		E386EF16R77	E386NF16R77	E386VF16R77	E386TF16R77	E386NF16R77GA	E386BF16R77	E386WF16R77NF	AE 600
		M386EF16P77	M386NF16P77	M386VF16P77	M386TF16P77	M386NF16P77GA	M386BF16P77	M386WF16P77NF	AM 500

*On request

body in cast iron

BRONZE ALLUMINIUM BUTTERFLY			ACTUATOR
Liner	EPDM	NBR	
DN 40 PN 10-16	C387EA5E68	C387NA5E68	EA 35
	M387E16F68	M387N16F68	AM 50
DN 50 PN 10-16	C387EA5E69	C387NA5E69	EA 35
	M387E16F69	M387N16F69	AM 50
DN 65 PN 10-16	C387EA5E70	C387NA5E70	EA 35
	M387E16F70	M387N16F70	AM 50
DN 80 PN 10-16	C387EA5E71	C387NA5E71	EA 35
	M387E16F71	M387N16F71	AM 50
DN 100 PN 10-16	C387EA5G72	C387NA5G72	EA 70
	M387E16H72	M387N16H72	AM 100
DN 125 PN 10-16	C387EA5G73	C387NA5G73	EA 70
	M387E16L73	M387N16L73	AM 200

DN 150 PN 10-16	C387EA5I74	C387NA5I74	EA 130
	M387E16L74	M387N16L74	AM 200
DN 200 PN 10	C387EKA5K75	C387NKA5K75	EA 240
	M386EF16L75	M387NF16L75	AM 200
DN 250 PN 10	E387EK16N76	E387NK16N76	AE 400
	M386EF16P76	M387NF16P76	AM 200
DN 300 PN 10	E387EK16R77	E387NK16R77	AE 400
	M387EK16P77	M387NK16P77	AM 500
DN 200 PN 16*	C387EFA5K75	C387NFA5K75	EA 240
	M386EK16L75	M387NK16L75	AM 200
DN 250 PN 16*	E387EF16N76	E387NF16N76	AE 400
	M386EF16P76	M387NF16P76	AM 500
DN 300 PN 16*	E387EF16R77	E387NF16R77	AE 600
	M386EF16P77	M386NF16P77	AM 500

*On request