

BUTTERFLY VALVES

Butterfly valves

ITEM 375,376,377 - Butterfly valve to be inserted between flanges, "Wafer" type

features

features and benefits

seals kit

dimensions and materials

valve codes free shaft

connection kit

drives



Features

STANDARD EXECUTIONS

Standard flanges:

- PN 10 - PN 16 - ANSI 150 from DN 40 to DN 300.
- PN 10 from DN 350 to DN 600.

General requirements in accordance with UNI EN593

Face to face as per EN 558 serie 20

Valve head as per ISO 5211 (DN40-DN300)

Tightness as per EN 12266-1 rate A

Other tests on request.

Operating Temperature of the Media: EPDM from -40°C to +135°C; NBR from -23°C to +82°C; FKM from -10°C to +190°C *; PTFE from -25°C to +150°C *

Operating Temperature for the Cast Iron body: Ambient Temperature:: -25°C +250°C

Working pressure between flanges:

- PN 16 bar for DN 40 to DN 300
- PN 10 bar for DN 350 to DN 600

* DN40-DN300

ON REQUEST

Working temperature: SILICONE from -50°C to +160°C; NBR CARBOX from -10°C to +82°C; NBR WHITE for food from -23°C to +82°C; HNBR from -20°C to +120°C

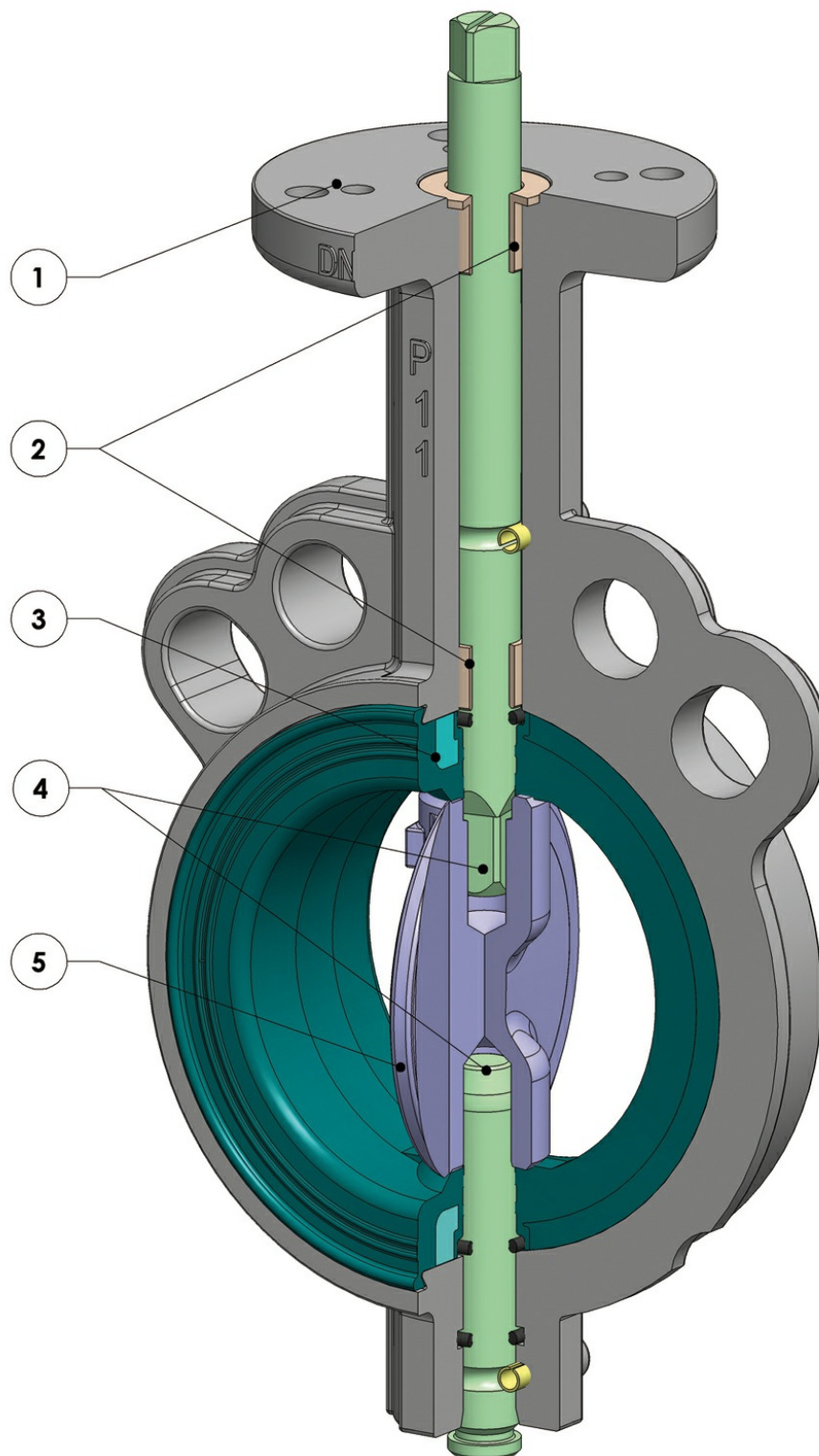
For other applications, please contact our technical department.

APPROVALS

According to 97/23 EC "PED"; DVGW homologation for gas (V376); RINA homologation; conformity to the italian D.M.n°174 suitable with drinking water and alimentary fluid (V376); ATEX directive 2014-34-EU.

Features and benefits

"The image may not be representative of the product".



FEATURES & BENEFITS		
1	ISO 5211 top mounting	Easy coupling with every kind of drives
2	Two guiding bushings on the shaft	It grants a perfect alignment of the shaft on the body and prevents oscillations even with high pressure Less friction between the shaft and body.
3	Vulcanized liner on rigid ring	Less deformation of the liner Easy assembly / disassembly of the liner for maintenance

		No deformation of the liner during assembly between the flanges during assembly
		Greater dimensional accuracy during the injection/molding
4	Shaft in 2 pieces without fixing components	Easy assembly / disassembly of the disc for maintenance
		Higher Kv thanks to the central section of the disk thinner than a valve with a single shaft
5	Lapped surface of the disc's circumference	Better tightness and less wear of the liner
		Lower torque due to less friction between the disc and liner
	Wide range of LINER materials	Various applications possibility
	ATEX Certificate	Installation is allowed in a potential explosive environment
	PED Certificate	Full compliance with European Safety Standards for Pressure Equipment

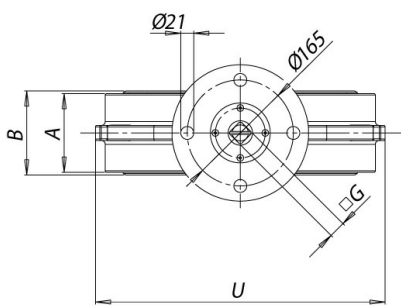
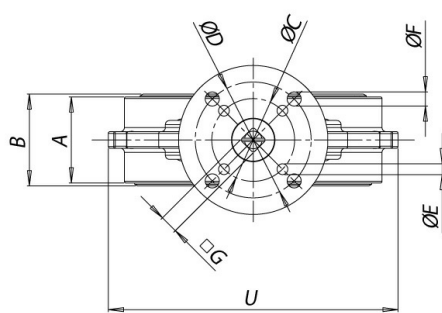
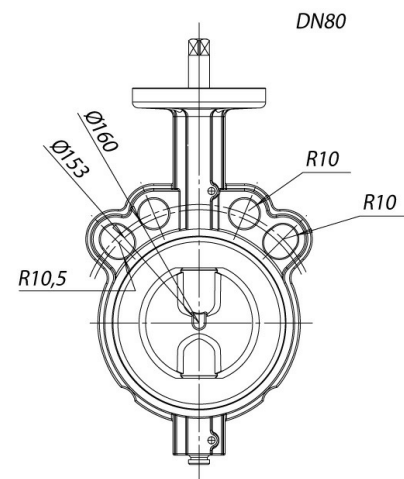
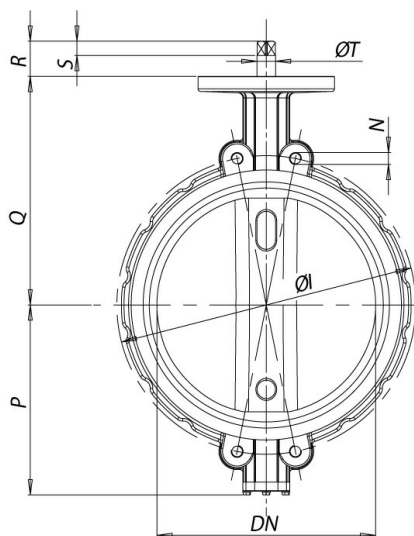
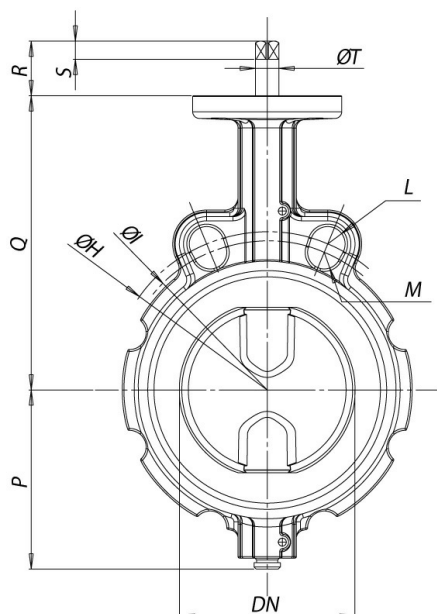
Seals kit

SEALS KIT

CAST IRON - STAINLESS STEEL AND BRONZE ALUMINIUM BUTTERFLY

LINER	EPDM	NBR	FKM	WHITE NBR	NBR CARBOX	DVGW
DN 40	KGFE0068	KGFN0068	KGFV0068	KGFA0068	KGFC0068	KGFG0068
DN 50	KGFE0069	KGFN0069	KGFV0069	KGFA0069	KGFC0069	KGFG0069
DN 65	KGFE0070	KGFN0070	KGFV0070	KGFA0070	KGFC0070	KGFG0070
DN 80	KGFE0071	KGFN0071	KGFV0071	KGFA0071	KGFC0071	KGFG0071
DN 100	KGFE0072	KGFN0072	KGFV0072	KGFA0072	KGFC0072	KGFG0072
DN 125	KGFE0073	KGFN0073	KGFV0073	KGFA0073	KGFC0073	KGFG0073
DN 150	KGFE0074	KGFN0074	KGFV0074	KGFA0074	KGFC0074	KGFG0074
DN 200	KGFE0075	KGFN0075	KGFV0075	KGFA0075	KGFC0075	KGFG0075
DN 250	KGFE0076	KGFN0076	KGFV0076	KGFA0076	KGFC0076	KGFG0076
DN 300	KGFE0077	KGFN0077	KGFV0077	KGFA0077	KGFC0077	KGFG0077
DN 350	KGFE0078	KGFN0078	---	---	---	---
DN 400	KGFE0079	KGFN0079	---	---	---	---
DN 450	KGFE0080	KGFN0080	---	---	---	---
DN 500	KGFE0081	KGFN0081	---	---	---	---
DN 600	KGFE0082	KGFN0082	---	---	---	---

Dimensions and materials - Free shaft



DN40-DN65
DN100-DN300

DN350-DN600

A: Scartamento valvola
Face to Face

B: Guarnizioni non compresse
Liner not compressed

DIMENSION

Size	A	B	øC	øD	øE	øF	G	g'	øh	øi	L	M	N	p	q	r	r'	s	s'	t	u
DN 40 1"1/2	33	36	50	70	6,5	8,5	9		110	98,5	r10	r9		70	125	31		9		14,2	116
DN 50 2"	43	46	50	70	6,5	8,5	9		125	121	r10	r10,5		80	140	31		9		14,2	128
DN 65 2"1/2	46	49	50	70	6,5	8,5	11	9	145	140	r10	r10,5		86	152	33	31	11	9	14,2	143
DN 80 3"	46	49	50	70	6,5	8,5	11	9						95,5	159	33	31	11	9	14,2	153
DN 100 4"	52	56	50	70	6,5	8,5	11		191	180	r10,5	r10		108	178	33		11		14,2	175
DN 125 5"	56	59	70		8,5		14	11	216	210	r12,5	r10		124,5	190,5	36	33	14	11	19	197
DN 150* 6"	56	59	70		8,5		14		242	240	r12,5	r12		137	203	36		14		19	222
DN 200 8"	60	64	70		8,5		17		299	295	r12,5	r12		166	238	39		17		22,2	279
DN 250 10"	68	72	102	125	11	13	22	17	362	350	r14	r13,5		199	268	55	50	22	17	28,5	340

DN 300 12"	78	81,5	102	125	11	13	22		432	400	r14	r13,5		234	306	55		22		28,5	410
DN 350 14"	78	82							22	460			m20	293	352		55		22	28,5	446
DN 400 16"	102	105							27	515			m24	325	388		60		27	36,5	508
DN 450 18"	114	118							27	565			m24	348	415		60		27	36,5	543
DN 500 20"	127	130,5							36	620			m24	386,5	441		70		36	48,5	600
DN 600 24"	154	158							36	725			m27	447,5	505		70		36	48,5	718

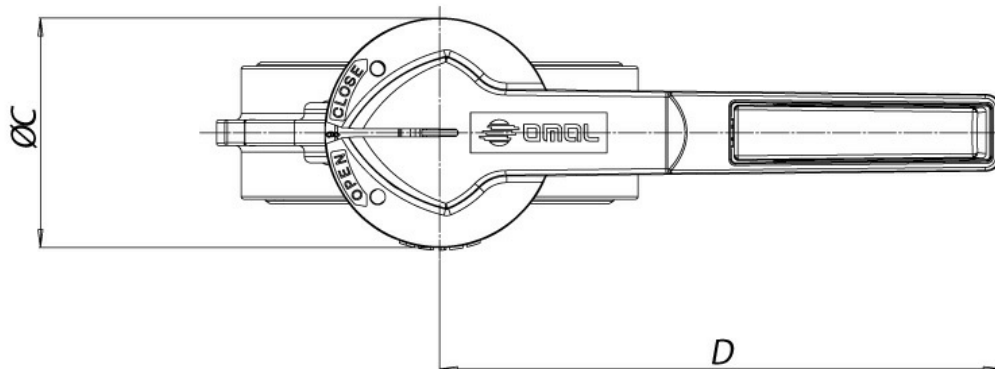
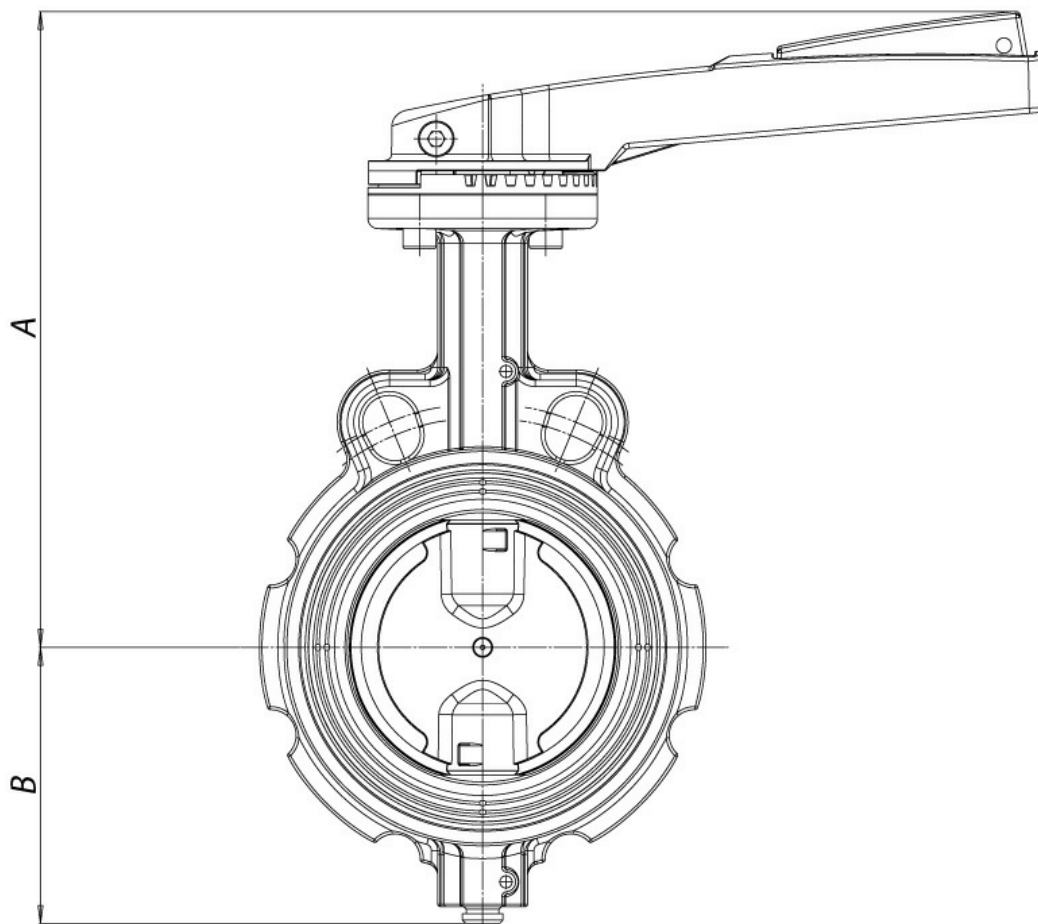
n.b. : G', R', S' DIMENSIONS REFERRED TO PN10 VALVES

BREAKAWAY TORQUES Nm

size	DN 40 1"1/2	DN 50 2"	DN 65 2"1/2	DN 80 3"	DN 100 4"	DN 125 5"	DN 150* 6"	DN 200 8"	DN 250 10"	DN 300 12"	DN 350 14"	DN 400 16"	DN 450 18"	DN 500 20"	DN 600 24"
PN 10 bar	15	15	17	19	27	36	54	109	145	218	340	510	680	1020	1300
PN 16 bar	18	18	25	27	35	52	72	142	170	250					

Torque can vary depending on temperature and type of fluid; a safety factor of 1.4 must be applied. Torque can drop on high frequency of operations. The actuator/valve sizing, indicated on the following pages, are based for valves to be used with liquids or gaseous fluids, clean, and for medium temperatures. For further information, or different uses please contact our technical department.

Dimensions and materials - With manual drive



VALVE TYPE 375-376-377 WITH LEVER

Size	A	B	øC	D	Kg
DN 40	188	70	90	160	2,2
DN 50	203	80	90	160	3
DN 65	225	86	90	220	3,8
DN 80	230	95,5	90	220	4
DN 100	250	108	90	220	5,1
DN 125	277	124,5	90	350	7,8

DN 150	290	137	90	350	9,2
DN 200	325	166	90	350	13,3
DN 250	395	199	175	500	25,1
DN 300	432	234	175	500	34,5

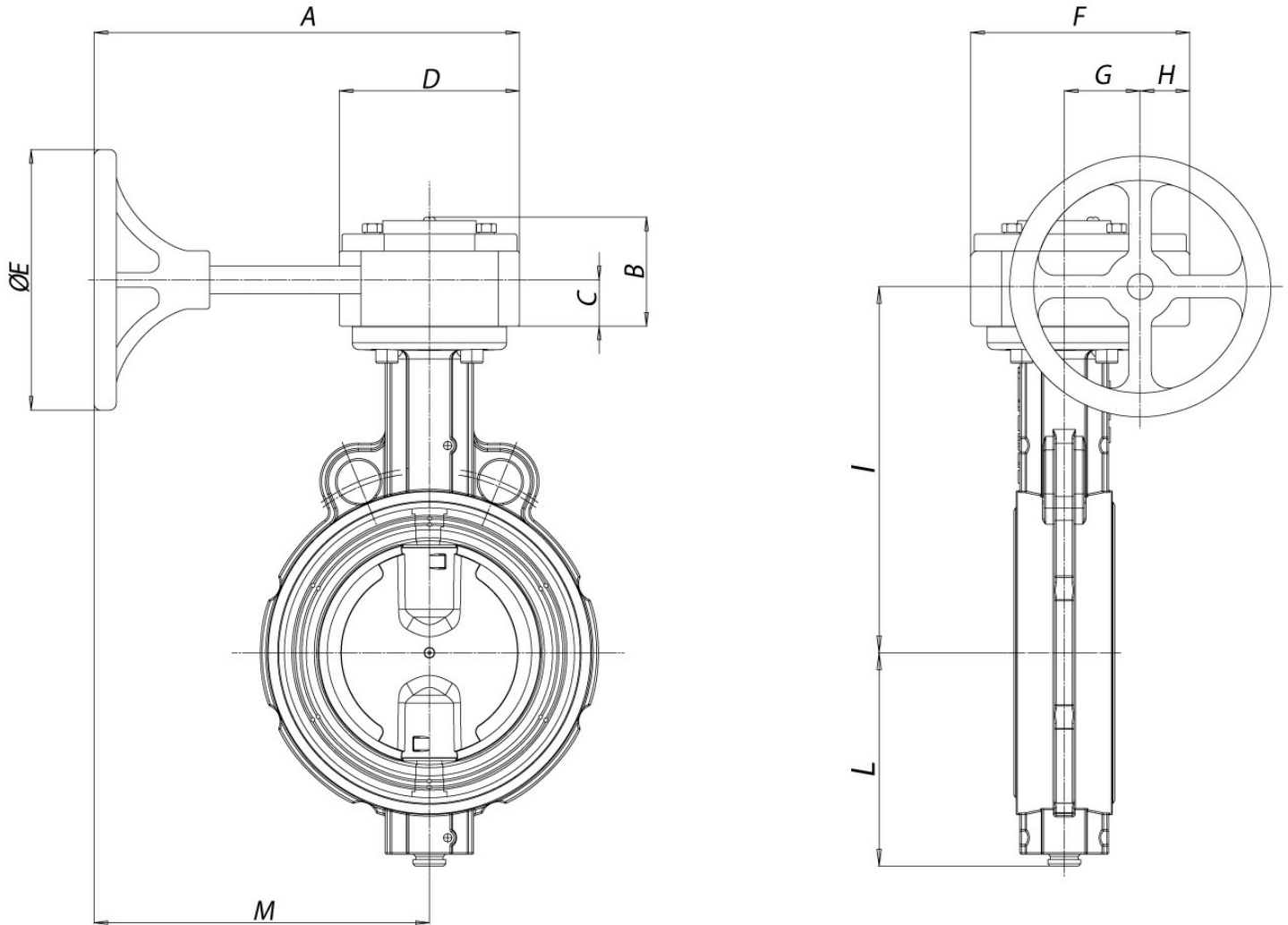
LEVER FEATURES

10-position lever; lockable in each position

Material: Aluminium;

Surface coating: polyester

Weight: from 0,3 to 0,9 Kg.



VALVE TYPE 375-376-377 WITH GEAR BOX

Size	A	B	C	D	ØE	F	G	H	I	L	M	Kg
DN 40 - 1"1/2	200	49	24	80	140	115	42	35	171,2	70	160	3,3
DN 50 - 2"	200	49	24	80	140	115	42	35	185,9	80	160	4,1
DN 65 - 2"1/2	200	54	27	100	200	130	50	40	201,6	86	150	5,7
DN 80 - 3"	200	54	27	100	200	130	50	40	208	95,5	150	6
DN 100 - 4"	200	54	27	100	200	130	50	40	227	108	150	7
DN 125 - 5"	200	54	27	100	200	130	50	40	239,7	124,5	150	9,4
DN 150 - 6"	200	54	27	100	200	130	50	40	252,4	137	150	10,7
DN 200 - 8"	250	70,5	40,5	140	300	175	60	60	300,7	166	180	17,4

DN 250 - 10"	250	70,5	40,5	140	300	175	60	60	342	199	180	28
DN 300 - 12"	250	70,5	40,5	140	300	175	60	60	380	234	180	37,5
DN 350 - 14"	250	70,5	40,5	140	300	175	60	60	425,5	293	180	56
DN 400 - 16"	418	120	56,5	260	302	290	120	160	445,5	325	288	99,3
DN 450 - 18"	418	120	56,5	260	302	290	120	160	471,5	348	288	116
DN 500 - 20"	410	161	119	260	400	310	120	180	560	386,5	280	155,5
DN 600 - 24"	410	161	119	260	400	310	120	180	624	447,5	280	217,5

GEAR BOX FEATURES

Designed tested mechanism, working through pinion and worm.

Visual indicator gives the position of the valve

Alluminium alloy carter for the gear box "RF0 " type, cast iron for the gear box "RW008 " Type

Cast iron pinion

Worm gear in hardened steel.

Steel wheel for the gear box "RF0 " type, cast iron weel for the gear box "RW008 " Type

Epoxy painted external surface

Valve codes free shaft

VALVE CODES FREE SHAFT IN STANDARD EXECUTION

CAST IRON BUTTERFLY

LINER	EPDM	NBR	NBR CARBOX
DN 40 - 1"1/2	V375XE68	V375XN68	V375XC68
DN 50 - 2"	V375XE69	V375XN69	V375XC69
DN 65 - 2"1/2	V375XE70*	V375XN70*	V375XC70
DN 80 - 3"	V375XE71*	V375XN71*	V375XC71
DN 100 - 4"	V375XE72	V375XN72	V375XC72
DN 125 - 5"	V375XE73*	V375XN73*	V375XC73
DN 150 - 6"	V375XE74	V375XN74	V375XC74
DN 200 - 8"	V375XE75	V375XN75	V375XC75
DN 250 - 10"	V375XE76*	V375XN76*	V375XC76
DN 300 - 12"	V375XE77	V375XN77	V375XC77
DN 350 - 14"	V375KE78	ON REQUEST	---
DN 400 - 16"	V375KE79	ON REQUEST	---
DN 450 - 18"	V375KE80	ON REQUEST	---
DN 500 - 20"	V375KE81	ON REQUEST	---
DN 600 - 24"	V375KE82	ON REQUEST	---

* Valve available also with PN 10: in the code are indicated with letter K instead of letter X

Please add "YX" at the end of the code for the ATEX version

AISI316 BUTTERFLY

TENUTA LINER	EPDM	NBR	FKM	PTFE ON REQUEST	DVGW	WHITE NBR	NBR WATER
DN 40 - 1"1/2	V376XE68	V376XN68	V376XV68	V376XT68	V376XN68GA	V376XB68	V376XW68NF
DN 50 - 2"	V376XE69	V376XN69	V376XV69	V376XT69	V376XN69GA	V376XB69	V376XW69NF
DN 65 - 2"1/2	V376XE70*	V376XN70*	V376XV70	V376XT70	V376XN70GA	V376XB70	V376XW70NF
DN 80 - 3"	V376XE71*	V376XN71*	V376XV71	V376XT71	V376XN71GA	V376XB71	V376XW71NF
DN 100 - 4"	V376XE72	V376XN72	V376XV72	V376XT72	V376XN72GA	V376XB72	V376XW72NF
DN 125 - 5"	V376XE73*	V376XN73*	V376XV73	V376XT73	V376XN73GA	V376XB73	V376XW73NF
DN 150 - 6"	V376XE74	V376XN74	V376XV74	V376XT74	V376XN74GA	V376XB74	V376XW74NF
DN 200 - 8"	V376XE75	V376XN75	V376XV75	V376XT75	V376XN75GA	V376XB75	V376XW75NF
DN 250 - 10"	V376XE76*	V376XN76*	V376XV76	V376XT76	V376XN76GA	V376XB76	V376XW76NF
DN 300 - 12"	V376XE77	V376XN77	V376XV77	V376XT77	V376XN77GA	V376XB77	V376XW77NF
DN 350 - 14"	V376KE78	ON REQUEST	----	----	----	----	----
DN 400 - 16"	V376KE79	ON REQUEST	----	----	----	----	----
DN 450 - 18"	V376KE80	ON REQUEST	----	----	----	----	----
DN 500 - 20"	V376KE81	ON REQUEST	----	----	----	----	----
DN 600 - 24"	V376KE82	ON REQUEST	----	----	----	----	----

* Valve available also with PN 10: in the code are indicated with letter K instead of letter X

Please add "YX" at the end of the code for the ATEX version

BRONZE ALLUMINIUM BUTTERFLY

LINER	EPDM	NBR
DN 40 - 1"1/2	V377XE68	V377XN68
DN 50 - 2"	V377XE69	V377XN69
DN 65 - 2"1/2	V377XE70	V377XN70
DN 80 - 3"	V377XE71	V377XN71
DN 100 - 4"	V377XE72	V377XN72
DN 125 - 5"	V377XE73	V377XN73
DN 150 - 6"	V377XE74	V377XN74
DN 200 - 8"	V377XE75	V377XN75
DN 250 - 10"	V377XE76	V377XN76
DN 300 - 12"	V377XE77	V377XN77
DN 350 - 14"	ON REQUEST	----
DN 400 - 16"	ON REQUEST	----
DN 450 - 18"	ON REQUEST	----
DN 500 - 20"	ON REQUEST	----
DN 600 - 24"	ON REQUEST	----

Please add "YX" at the end of the code for the Atex version

Connection kit

connection kit				
VALVE SIZE	ACTUATOR	CONNECTION KIT	ACTUATOR	CONNECTION KIT
DN 40	DA 30	KCF042896		
	SR 30 (F03-F05)	KCF042895		
	EA 35	KCF052925		
DN 50	DA 30	KCF042896		
	SR 30 (F03-F05)	KCF042895		
	EA 35	KCF052925		
DN 65	DA 30	KCF042896	DA 45	KCF042896
	SR 30 (F03-F05)	KCF042895	SR 45	KCF052897
	EA 35	KCF052897		
DN 80	DA 30	KCF042896	DA 45	KCF042896
	SR 30 (F03-F05)	KCF042896	SR 45	KCF052897
	EA 35	KCF052897		
DN 100	DA 45 (F03-F05)	KCF042896	DA 60	KCF042896
	SR 45	KCF052897	SR 60	KCF052897
	EA 70	KCF052897		
DN 125	DA 60 (F03-F05)	KCF042904	DA 90	KCF052898
	SR 60	KCF052898	SR 90	KCF072899
	EA 130	KCF072899		
DN 150	DA 90	KCF052898	DA 120	KCF052898
	SR 90	KCF072899	SR 120	KCF072899
	EA 130	KCF072899		
DN 200	DA 180	KCF052898	DA 240	KCF052898
	SR 180	KCF102900	SR 240	KCF102900
	EA 240	KCF102900		
DN 250	DA 240	KCF072906	DA 360	KCF102901
	SR 240	KCF102901	SR 360	KCF122902
	AE 400	KCE362931	AM 500	KCE562932
DN 300	DA 360	KCF102901	DA 480	KCF102901
	SR 360	KCF122902	SR 480	KCF122902
	AE 600	KCE563350	AM 500	KCE562932
DN 350	DA 480	KCF103211		
	SR 480	KCF123212		
	AE 1000	KCE563395	AM 1000	KCF563395
DN 400	DA 720	KCF123213		
	SRN 720 (F14)	KCF143214		
	AE 1000	KCE563350	AM 1000	KCE563350
DN 450	DA 960	KCF123213		
	SRN 960 (F14)	KCF164264		

	AE 1000	KCE563350	AM 1000	KCE563350
DN 500	DAN 1440 (F14)	KCF143215		
	SR 1920	KCF163216		
	AE 1500	KCE563390	AM 1500	KCE563390
DN 600	DAN 1920 (F14)	KCF164265		
	SR 1920	KCF163216		
	AE 2000	KCE563390	AM 2000	KCE563390



Drives - with lever

Valve codes with lever

CAST IRON butterfly

LINER	EPDM	NBR	NBR CARBOX	LEVER
DN 40 - 1"1/2	L375XE68	L375XN68	L375XC68	KLW37569
DN 50 - 2"	L375XE69	L375XN69	L375XC69	KLW37569
DN 65 - 2"1/2	L375XE70	L375XN70	L375XC70	KLW37570
DN 80 - 3"	L375XE71	L375XN71	L375XC71	KLW37570
DN 100 - 4"	L375XE72	L375XN72	L375XC72	KLW37570
DN 125 - 5"	L375XE73	L375XN73	L375XC73	KLW37573
DN 150 - 6"	L375XE74	L375XN74	L375XC74	KLW37573
DN 200 - 8"	L375XE75	L375XN75	L375XC75	KLW37575
DN 250 - 10"	L375XE76	L375XN76	L375XC76	KLW37576
DN 300 - 12"	L375XE77	L375XN77	L375XC77	KLW37576

Please add "YX" at the end of the code for the Atex version

AISI 316 butterfly

LINER	EPDM	NBR	FKM	PTFE ON REQUEST	DVGW	WHITE NBR	NBR WATER	LEVER
DN 40 - 1"1/2	L376XE68	L376XN68	L376XV68	L376XT68	L376XN68GA	L376XB68	L376XW68NF	KLW37569*
DN 50 - 2"	L376XE69	L376XN69	L376XV69	L376XT69	L376XN69GA	L376XB69	L376XW69NF	KLW37569*
DN 65 - 2"1/2	L376XE70	L376XN70	L376XV70	L376XT70	L376XN70GA	L376XB70	L376XW70NF	KLW37570*
DN 80 - 3"	L376XE71	L376XN71	L376XV71	L376XT71	L376XN71GA	L376XB71	L376XW71NF	KLW37570*
DN 100 - 4"	L376XE72	L376XN72	L376XV72	L376XT72	L376XN72GA	L376XB72	L376XW72NF	KLW37570*
DN 125 - 5"	L376XE73	L376XN73	L376XV73	L376XT73	L376XN73GA	L376XB73	L376XW73NF	KLW37573*
DN 150 - 6"	L376XE74	L376XN74	L376XV74	L376XT74	L376XN74GA	L376XB74	L376XW74NF	KLW37573*
DN 200 - 8"	L376XE75	L376XN75	L376XV75	L376XT75	L376XN75GA	L376XB75	L376XW75NF	KLW37575*
DN 250 - 10"	L376XE76	L376XN76	L376XV76	L376XT76	L376XN76GA	L376XB76	L376XW76NF	KLW37576*
DN 300 - 12"	L376XE77	L376XN77	L376XV77	L376XT77	L376XN77GA	L376XB77	L376XW77NF	KLW37576*

*Please add "GI" at the end of the code for the DVGW version

Please add "YX" at the end of the code for the Atex version

BRONZE ALUMINIUM butterfly

LINER	EPDM	NBR	LEVER
DN 40 - 1"1/2	L377XE68	L377XN68	KLW37569
DN 50 - 2"	L377XE69	L377XN69	KLW37569
DN 65 - 2"1/2	L377XE70	L377XN70	KLW37570
DN 80 - 3"	L377XE71	L377XN71	KLW37570
DN 100 - 4"	L377XE72	L377XN72	KLW37570
DN 125 - 5"	L377XE73	L377XN73	KLW37573
DN 150 - 6"	L377XE74	L377XN74	KLW37573
DN 200 - 8"	L377XE75	L377XN75	KLW37575
DN 250 - 10"	L377XE76	L377XN76	KLW37576
DN 300 - 12"	L377XE77	L377XN77	KLW37576

Please add "YX" at the end of the code for the Atext version



Drives - with gear box

Valve codes with gear box

CAST IRON butterfly

LINER	EPDM	NBR	NBR CARBOX	GEAR BOX	KIT VALVE-GEAR BOX
DN 40 - 1"1/2	R375XE68	R375XN68	R375XC68	RF01070900	KCF052898
DN 50 - 2"	R375XE69	R375XN68	R375XC69	RF01070900	KCF052898
DN 65 - 2"1/2	R375XE70	R375XN70	R375XC70	RF02071400	KCF074035
DN 80 - 3"	R375XE71	R375XN71	R375XC71	RF02071400	KCF074035
DN 100 - 4"	R375XE72	R375XN72	R375XC72	RF02071400	KCF074035
DN 125 - 5"	R375XE73	R375XN73	R375XC73	RF02071400	KCF052898
DN 150 - 6"	R375XE74	R375XN74	R375XC74	RF02071400	KCF052898
DN 200 - 8"	R375XE75	R375XN75	R375XC75	RF04122200	KCF124037
DN 250 - 10"	R375XE76	R375XN76	R375XC76	RF04122200	KCF124038
DN 300 - 12"	R375XE77	R375XN77	R375XC77	RF04122200	KCF124038
DN 350 - 14"	R375KE78	ON REQUEST	---	RF04122200	KCF123213
DN 400 - 16"	R375KE79	ON REQUEST	---	RW008W79	KCW143789
DN 450 - 18"	R375KE80	ON REQUEST	---	RW008W79	KCW143789
DN 500 - 20"	R375KE81	ON REQUEST	---	RW008W81	KCW143789
DN 600 - 24"	R375KE82	ON REQUEST	---	RW008W81	KCW143789

Please add "YX" at the end of the code for the Atex version

AINI 316 butterfly

LINER	EPDM	NBR	FKM	PTFE ON REQUEST	DVGW	WHITE NBR	NBR WATER	GEAR BOX	KIT VALVE-GEAR BOX
DN 40 - 1"1/2	R376XE68	R376XN68	R376XV68	R376XT68	R376XN68GA	R376XB68	R376XW68NF	RF01070900	KCF052898
DN 50 - 2"	R376XE69	R376XN69	R376XV69	R376XT69	R376XN69GA	R376XB69	R376XW69NF	RF01070900	KCF052898
DN 65 - 2"1/2	R376XE70	R376XN70	R376XV70	R376XT70	R376XN70GA	R376XB70	R376XW70NF	RF02071400	KCF074035
DN 80 - 3"	R376XE71	R376XN71	R376XV71	R376XT71	R376XN71GA	R376XB71	R376XW71NF	RF02071400	KCF074035
DN 100 - 4"	R376XE72	R376XN72	R376XV72	R376XT72	R376XN72GA	R376XB72	R376XW72NF	RF02071400	KCF074035
DN 125 - 5"	R376XE73	R376XN73	R376XV73	R376XT73	R376XN73GA	R376XB73	R376XW73NF	RF02071400	KCF052898

DN 150 - 6"	R376XE74	R376XN74	R376XV74	R376XT74	R376XN74GA	R376XB74	R376XW74NF	RF02071400	KCF052898
DN 200 - 8"	R376XE75	R376XN75	R376XV75	R376XT75	R376XN75GA	R376XB75	R376XW75NF	RF04122200	KCF124037
DN 250 - 10"	R376XE76	R376XN76	R376XV76	R376XT76	R376XN76GA	R376XB76	R376XW76NF	RF04122200	KCF124038
DN 300 - 12"	R376XE77	R376XN77	R376XV77	R376XT77	R376XN77GA	R376XB77	R376XW77NF	RF04122200	KCF124038
DN 350 - 14"	R376KE78	ON REQUEST	-	-	-	-	-	RF04122200	KCF123213
DN 400 - 16"	R376KE79	ON REQUEST	-	-	-	-	-	RW008W79	KCW143789
DN 450 - 18"	R376KE80	ON REQUEST	-	-	-	-	-	RW008W79	KCW143789
DN 500 - 20"	R376KE81	ON REQUEST	-	-	-	-	-	RW008W81	KCW143789
DN 600 - 24"	R376KE82	ON REQUEST	-	-	-	-	-	RW008W81	KCW143789

Please add "YX" at the end of the code for the Atex version

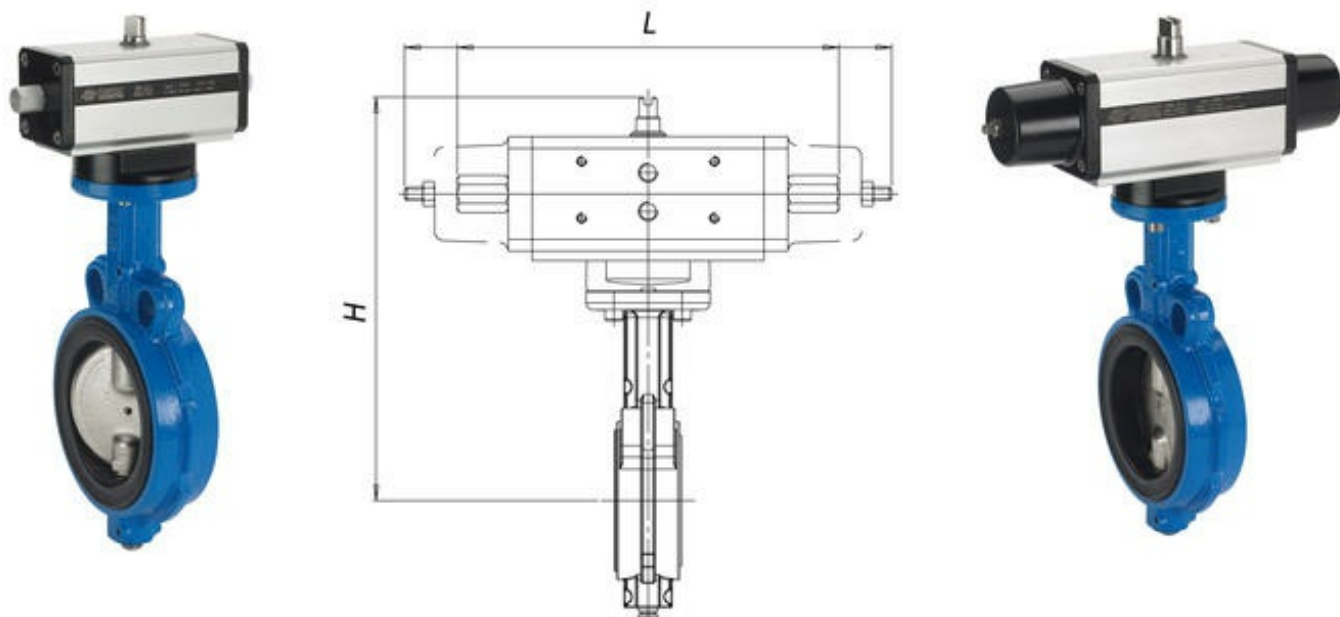
BRONZE ALLUMINIUM butterfly

LINER	EPDM	NBR	GEAR BOX	KIT VALVE-GEAR BOX
DN 40 - 1"1/2	R377XE68	R377XN68	RF01070900	KCF052898
DN 50 - 2"	R377XE69	R377XN69	RF01070900	KCF052898
DN 65 - 2"1/2	R377XE70	R377XN70	RF02071400	KCF074035
DN 80 - 3"	R377XE71	R377XN71	RF02071400	KCF074035
DN 100 - 4"	R377XE72	R377XN72	RF02071400	KCF074035
DN 125 - 5"	R377XE73	R377XN73	RF02071400	KCF052898
DN 150 - 6"	R377XE74	R377XN74	RF02071400	KCF052898
DN 200 - 8"	R377XE75	R377XN75	RF04122200	KCF124037
DN 250 - 10"	R377XE76	R377XN76	RF04122200	KCF124038
DN 300 - 12"	R377XE77	R377XN77	RF04122200	KCF124038
DN 350 - 14"	-	ON REQUEST	RF04122200	KCF123213
DN 400 - 16"	-	ON REQUEST	RW008W79	KCW143789
DN 450 - 18"	-	ON REQUEST	RW008W79	KCW143789
DN 500 - 20"	-	ON REQUEST	RW008W81	KCW143789
DN 600 - 24"	-	ON REQUEST	RW008W81	KCW143789

Please add "YX" at the end of the code for the Atex version



Drives - PN10 pneumatic actuator



Valve with double acting pneumatic actuator

	DN 40	DN 50	DN 65	DN 80	DN 100	DN 125	DN 150	DN 200	DN 250	DN 300	DN 350	DN 400	DN 450	DN 500	DN 600
L mm	168	168	168	168	182	190	225	268	314	336	365	401	445	507	600
H mm	228	242	255	261	286	303	323	387	438	488	545	599	631	690	776
Kg.	3	3,8	4,5	4,7	6	8,8	10,4	16,1	28,6	40	59,6	84,4	103,1	144	214

Valve with spring return pneumatic actuator

	DN 40	DN 50	DN 65	DN 80	DN 100	DN 125	DN 150	DN 200	DN 250	DN 300	DN 350	DN 400	DN 450	DN 500	DN 600
L mm	240	240	240	240	294	320	357	436	456	656	602	798	828	975	975
H mm	238	252	265	271	298	329	351	409	461	518	568	637	686	788,5	852,5
Kg.	4	4,8	5,5	5,7	7,2	10,7	13,2	22,1	34,3	48,7	70,4	101	124	189,6	251,6

Body in cast iron

CAST IRON BUTTERFLY			
	EPDM	NBR	ACTUATOR
DN 40	D375XE68	D375XN68	DA 30
	S375XE68	S375XN68	SR 30 (F03-F05)
DN 50	D375XE69	D375XN69	DA 30
	S375XE69	S375XN69	SR 30 (F03-F05)
DN 65	D375KE70	D375KN70	DA 30
	S375KE70	S375KN70	SR 30 (F03-F05)
DN 80	D375KE71	D375KN71	DA 30

	S375KE71	S375KN71	SR 30 (F03-F05)
DN 100	D375KE72	D375KN72	DA 45 (F03-F05)
	S375KE72	S375KN72	SR 45
DN 125	D375KE73	D375KN73	DA 60 (F03-F05)
	S375KE73	S375KN73	SR 60
DN 150	D375KE74	D375KN74	DA 90
	S375KE74	S375KN74	SR 90
DN 200	D375KE75	D375KN75	DA 180
	S375KE75	S375KN75	SR 180
DN 250	D375KE76	D375KN76	DA 240
	S375KE76	S375KN76	SR 240
DN 300	D375KE77	D375KN77	DA 360
	S375KE77	S375KN77	SR 360
DN 350	D375KE78	ON REQUEST	DA 480
	S375KE78	ON REQUEST	SR 480
DN 400	D375KE79	ON REQUEST	DA 720
	S375KE79	ON REQUEST	SRN 720 (F14)
DN 450	D375KE80	ON REQUEST	DA 960
	S375KE80	ON REQUEST	SRN 960 (F14)
DN 500	D375KE81	ON REQUEST	DAN 1440 (F14)
	S375KE81	ON REQUEST	SR 1920
DN 600	D375KE82	ON REQUEST	DAN 1920 (F14)
	S375KE82	ON REQUEST	SR 1920

Please add "YX" at the end of the code for the Atex version

The sizing of pneumatic actuators has been done considering a minimum supply pressure of 5,6 barg.

Body in cast iron

AISI 316 BUTTERFLY				
liner	EPDM	NBR	FKM	ACTUATOR
DN 40	D376XE68	D376XN68	D376XV68	DA 30
	S376XE68	S376XN68	S376XV68	SR 30 (F03-F05)
DN 50	D376XE69	D376XN69	D376XV69	DA 30
	S376XE69	S376XN69	S376XV69	SR 30 (F03-F05)
DN 65	D376KE70	D376KN70	D376KV70	DA 30
	S376KE70	S376KN70	S376KV70	SR 30 (F03-F05)
DN 80	D376KE71	D376KN71	D376KV71	DA 30
	S376KE71	S376KN71	S376KV71	SR 30 (F03-F05)
DN 100	D376KE72	D376KN72	D376KV72	DA 45 (F03-F05)
	S376KE72	S376KN72	S376KV72	SR 45
DN 125	D376KE73	D376KN73	D376KV73	DA 60 (F03-F05)
	S376KE73	S376KN73	S376KV73	SR 60

DN 150	D376KE74	D376KN74	D376KV74	DA 90
	S376KE74	S376KN74	S376KV74	SR 90
DN 200	D376KE75	D376KN75	D376KV75	DA 180
	S376KE75	S376KN75	S376KV75	SR 180
DN 250	D376KE76	D376KN76	D376KV76	DA 240
	S376KE76	S376KN76	S376KV76	SR 240
DN 300	D376KE77	D376KN77	D376KV77	DA 360
	S376KE77	S376KN77	S376KV77	SR 360
DN 350	D376KE78	ON REQUEST	----	DA 480
	S376KE78	ON REQUEST	----	SR 480
DN 400	D376KE79	ON REQUEST	----	DA 720
	S376KE79	ON REQUEST	----	SRN 720 (F14)
DN 450	D376KE80	ON REQUEST	----	DA 960
	S376KE80	ON REQUEST	----	SRN 960 (F14)
DN 500	D376KE81	ON REQUEST	----	DAN 1440 (F14)
	S376KE81	ON REQUEST	----	SR 1920
DN 600	D376KE82	ON REQUEST	----	DAN 1920 (F14)
	S376KE82	ON REQUEST	----	SR 1920

Please add "YX" at the end of the code for the ATEX version

The sizing of pneumatic actuators has been done considering a minimum supply pressure of 5,6 barg.

Body in cast iron

BRONZE ALLUMINIUM BUTTERFLY			
liner	EPDM	NBR	ACTUATOR
DN 40	D377XE68	D377XN68	DA 30
	S377XE68	S377XN68	SR 30 (F03-F05)
DN 50	D377XE69	D377XN69	DA 30
	S377XE69	S377XN69	SR 30 (F03-F05)
DN 65	D377KE70	D377KN70	DA 30
	S377KE70	S377KN70	SR 30 (F03-F05)
DN 80	D377KE71	D377KN71	DA 30
	S377KE71	S377KN71	SR 30 (F03-F05)
DN 100	D377KE72	D377KN72	DA 45 (F03-F05)
	S377KE72	S377KN72	SR 45
DN 125	D377KE73	D377KN73	DA 60 (F03-F05)
	S377KE73	S377KN73	SR 60
DN 150	D377KE74	D377KN74	DA 90
	S377KE74	S377KN74	SR 90
DN 200	D377KE75	D377KN75	DA 180
	S377KE75	S377KN75	SR 180
DN 250	D377KE76	D377KN76	DA 240
	S377KE76	S377KN76	SR 240

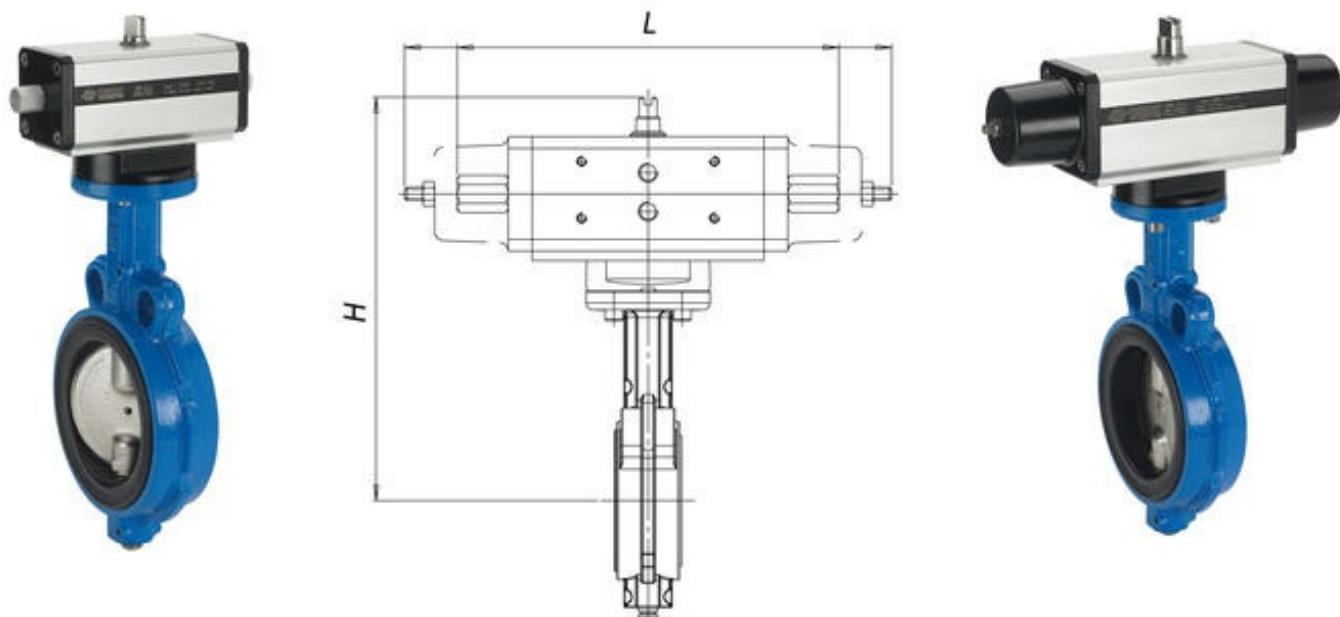
DN 300	D377KE77	D377KN77	DA 360
	S377KE77	S377KN77	SR 360
DN 350	----	ON REQUEST	DA 480
	----	ON REQUEST	SR 480
DN 400	----	ON REQUEST	DA 720
	----	ON REQUEST	SRN 720 (F14)
DN 450	----	ON REQUEST	DA 960
	----	ON REQUEST	SR 960 (F14)
DN 500	----	ON REQUEST	DA 1440 (F14)
	----	ON REQUEST	SR 1920
DN 600	----	ON REQUEST	DAN 1920 (F14)
	----	ON REQUEST	SR 1920

Please add "YX" at the end of the code for the Atex version

The sizing of pneumatic actuators has been done considering a minimum supply pressure of 5,6 barg.



Drives - PN16 pneumatic actuator



Valve with double acting pneumatic actuator

	DN 40	DN 50	DN 65	DN 80	DN 100	DN 125	DN 150	DN 200	DN 250	DN 300
L mm	168	168	182	182	190	225	240	314	336	365
H mm	242	242	260	267	290	310	342	397	449	500
Kg.	3	3,8	4,8	5	6,3	9,1	11,4	18	30,55	41,2

Valve with spring return pneumatic actuator

	DN 40	DN 50	DN 65	DN 80	DN 100	DN 125	DN 150	DN 200	DN 250	DN 300
L mm	240	240	294	294	320	357	368	456	566	602
H mm	252	252	272	279	316	339	362	421	479	523
Kg.	4	4,8	5,9	6,1	8,3	11,8	15,3	23,7	39,2	52

Body in cast iron

CAST IRON BUTTERFLY				ACTUATOR
LINER	EPDM	NBR	NBR CARBOX	
DN 40	D375XE68	D375XN68	D375XC68	DA 30
	S375XE68	S375XN68	S375XC68	SR 30 (F03-F05)
DN 50	D375XE69	D375XN69	D375XC69	DA 30
	S375XE69	S375XN69	S375XC69	SR 30 (F03-F05)
DN 65	D375XE70	D375XN70	D375XC70	DA 45 (F03-F05)
	S375XE70	S375XN70	S375XC70	SR 45
DN 80	D375XE71	D375XN71	D375XC71	DA 45 (F03-F05)
	S375XE71	S375XN71	S375XC71	SR 45

DN 100	D375XE72	D375XN72	D375XC72	DA 60 (F03-F05)
	S375XE72	S375XN72	S375XC72	SR 60
DN 125	D375XE73	D375XN73	D375XC73	DA 90
	S375XE73	S375XN73	S375XC73	SR 90
DN 150	D375XE74	D375XN74	D375XC74	DA 120
	S375XE74	S375XN74	S375XC74	SR 120
DN 200	D375XE75	D375XN75	D375XC75	DA 240
	S375XE75	S375XN75	S375XC75	SR 240
DN 250	D375XE76	D375XN76	D375XC76	DA 360
	S375XE76	S375XN76	S375XC76	SR 360
DN 300	D375XE77	D375XN77	D375XC77	DA 480
	S375XE77	S375XN77	S375XC77	SR 480

Please add "YX" at the end of the code for the Atex version

Il dimensionamento degli attuatori pneumatici è stato fatto considerando una pressione minima di alimentazione pari a 5,6 barg.

Body in cast iron

AISI 316 BUTTERFLY								ACTUATOR
LINER	EPDM	NBR	FKM	PTFE on request	DVGW	WHITE NBR	NBR WATER	
DN 40	D376XE68	D376XN68	D376XV68	D376XT68	D376XN68GA	D376XB68	D376XW68NF	DA 30
	S376XE68	S376XN68	S376XV68	S376XT68	S376XN68GA	S376XB68	S376XW68NF	SR 30 (F03-F05)
DN 50	D376XE69	D376XN69	D376XV69	D376XT69	D376XN69GA	D376XB69	D376XW69NF	DA 30
	S376XE69	S376XN69	S376XV69	S376XT69	S376XN69GA	S376XB69	S376XW69NF	SR 30 (F03-F05)
DN 65	D376XE70	D376XN70	D376XV70	D376XT70	D376XN70GA	D376XB70	D376XW70NF	DA 45 (F03-F05)
	S376XE70	S376XN70	S376XV70	S376XT70	S376XN70GA	S376XB70	S376XW70NF	SR 45
DN 80	D376XE71	D376XN71	D376XV71	D376XT71	D376XN71GA	D376XB71	D376XW71NF	DA 45 (F03-F05)
	S376XE71	S376XN71	S376XV71	S376XT71	S376XN71GA	S376XB71	S376XW71NF	SR 45
DN 100	D376XE72	D376XN72	D376XV72	D376XT72	D376XN72GA	D376XB72	D376XW72NF	DA 60 (F03-F05)
	S376XE72	S376XN72	S376XV72	S376XT72	S376XN72GA	S376XB72	S376XW72NF	SR 60
DN 125	D376XE73	D376XN73	D376XV73	D376XT73	D376XN73GA	D376XB73	D376XW73NF	DA 90
	S376XE73	S376XN73	S376XV73	S376XT73	S376XN73GA	S376XB73	S376XW73NF	SR 90
DN 150	D376XE74	D376XN74	D376XV74	D376XT74	D376XN74GA	D376XB74	D376XW74NF	DA 120
	S376XE74	S376XN74	S376XV74	S376XT74	S376XN74GA	S376XB74	S376XW74NF	SR 120
DN 200	D376XE75	D376XN75	D376XV75	D376XT75	D376XN75GA	D376XB75	D376XW75NF	DA 240
	S376XE75	S376XN75	S376XV75	S376XT75	S376XN75GA	S376XB75	S376XW75NF	SR 240
DN 250	D376XE76	D376XN76	D376XV76	D376XT76	D376XN76GA	D376XB76	D376XW76NF	DA 360
	S376XE76	S376XN76	S376XV76	S376XT76	S376XN76GA	S376XB76	S376XW76NF	SR 360
DN 300	D376XE77	D376XN77	D376XV77	D376XT77	D376XN77GA	D376XB77	D376XW77NF	DA 480
	S376XE77	S376XN77	S376XV77	S376XT77	S376XN77GA	S376XB77	S376XW77NF	SR 480

Please add "YX" at the end of the code for the Atex version

Il dimensionamento degli attuatori pneumatici è stato fatto considerando una pressione minima di alimentazione pari a 5,6 barg.

Body in cast iron

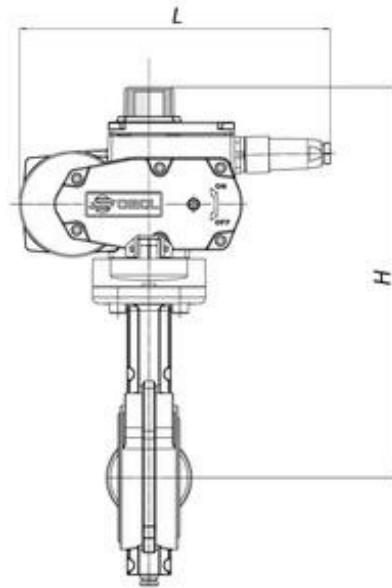
BRONZE ALLUMINIUM BUTTERFLY			ACTUATOR
LINER	EPDM	NBR	
DN 40	D377XE68	D377XN68	DA 30
	S377XE68	S377XN68	SR 30 (F03-F05)
DN 50	D377XE69	D377XN69	DA 30
	S377XE69	S377XN69	SR 30 (F03-F05)
DN 65	D377XE70	D377XN70	DA 45 (F03-F05)
	S377XE70	S377XN70	SR 45
DN 80	D377XE71	D377XN71	DA 45 (F03-F05)
	S377XE71	S377XN71	SR 45
DN 100	D377XE72	D377XN72	DA 60 (F03-F05)
	S377XE72	S377XN72	SR 60
DN 125	D377XE73	D377XN73	DA 90
	S377XE73	S377XN73	SR 90
DN 150	D377XE74	D377XN74	DA 120
	S377XE74	S377XN74	SR 120
DN 200	D377XE75	D377XN75	DA 240
	S377XE75	S377XN75	SR 240
DN 250	D377XE76	D377XN76	DA 360
	S377XE76	S377XN76	SR 360
DN 300	D377XE77	D377XN77	DA 480
	S377XE77	S377XN77	SR 480

Please add "YX" at the end of the code for the Atex version

Il dimensionamento degli attuatori pneumatici è stato fatto considerando una pressione minima di alimentazione pari a 5,6 barg.



Drives - electric actuators



Items are with electric actuator 230 Vac

Actuated valve with on-off electric actuator

	DN 40	DN 50	DN 65	DN 80	DN 100	DN 125	DN 150	DN 200	DN 250	DN 300	DN 350	DN 400	DN 450	DN 500	DN 600
L mm	213	213	213	213	213	213	261,1	261,1	256,5	381	381	381	381	381	381
H mm	284,1	298,8	311,5	317,8	336,9	349,6	383	418	485,4	573,5	619	655	682	717	781
Kg.	5,6	6,5	7,2	7,4	8,6	11,1	15,8	20,2	32,4	53,3	72,7	93,9	110,6	141,1	203,1

Actuated valve with rotary modulating electric actuator

	DN 40	DN 50	DN 65	DN 80	DN 100	DN 125	DN 150	DN 200	DN 250	DN 300	DN 350	DN 400	DN 450	DN 500	DN 600
L mm	213	213	213	213	213	213	261,1	261,1	381	381	381	381	381	381	381
H mm	347,9	362,6	375,3	381,6	400,7	413,4	446,8	481,8	305,5	573,5	619	655	682	717	781
Kg.	6,3	7,1	7,8	8	9,3	11,7	16,4	20,8	46,1	55,6	74	95,2	111,9	141,4	203,4

BODY IN CAST IRON

CAST IRON BUTTERFLY				ACTUATOR
LINER	EPDM	NBR	NBR CARBOX	
DN 40	C375EA5E68	C375NA5E68	C375CA5E68	EA 35
	M375E16F68	M375N16F68	M375C16F68	AM 50
DN 50	C375EA5E69	C375NA5E69	C375CA5E69	EA 35
	M375E16F69	M375N16F69	M375C16F79	AM 50
DN 65	C375EA5E70	C375NA5E70	C375CA5E70	EA 35

DN 65

Be environmentally friendly...please don't print this document unless you really need to.

DN 50	M375E16F70	M375N16F70	M375C16F70	AM 50
DN 80	C375EA5E71	C375NA5E71	C375CA5E71	EA 35
	M375E16F71	M375N16F71	M375C16F71	AM 50
DN 100	C375EA5G72	C375NA5G72	C375CA5G72	EA 70
	M375E16H72	M375N16H72	M375C16H72	AM 100
DN 125	C375EA5I73	C375NA5I73	C375CA5I73	EA 130
	M375E16L73	M375N16L73	M375C16L73	AM 200
DN 150	C375EA5I74	C375NA5I74	C375CA5I74	EA 130
	M375E16L74	M375N16L74	M375C16L74	AM 200
DN 200	C375EA5K75	C375NA5K75	C375CA5K75	EA 240
	M375E16L75	M375N16L75	M375C16L75	AM 200
DN 250	E375E16N76	E375N16N76	E375C16N76	AE 400
	M375E16P76	M375N16P76	M375C16P76	AM 500
DN 300	E375E16R77	E375N16R77	E375C16R77	AE 600
	M375E16P77	M375N16P77	M375C16P77	AM 500
DN 350	E375E16T78	A RICHIESTA	----	AE 1000
	M375E16T78	A RICHIESTA	----	AM 1000
DN 400	E375E16T79	A RICHIESTA	----	AE 1000
	M375E16T79	A RICHIESTA	----	AM 1000
DN 450	E375E16T80	A RICHIESTA	----	AE 1000
	M375E16T80	A RICHIESTA	----	AM 1000
DN 500	E375E16V81	A RICHIESTA	----	AE 1500
	M375E16V81	A RICHIESTA	----	AM 1500
DN 600	E375E16X82	A RICHIESTA	----	AE 2000
	M375E16X82	A RICHIESTA	----	AM 2000

BODY IN CAST IRON

AISI 316 BUTTERFLY								ATTUATORE
LINER	EPDM	NBR	FKM	PTFE ON REQUEST	DVGW	WHITE NBR	NBR WATER	
DN 40	C376EA5E68	C376NA5E68	C376VA5E68	C376TA5E68	C376NA5E68GA	C376BA5E68	C376WA5E68NF	EA 35
	M376E16F68	M376N16F68	M376V16F68	M376T16F68	M376N16F68GA	M376B16F69	M376W16F68NF	AM 50
DN 50	C376EA5E69	C376NA5E69	C376VA5E69	C376TA5E69	C376NA5E69GA	C376BA5E69	C376WA5E69NF	EA 35
	M376E16F69	M376N16F69	M376V16F69	M376T16F69	M376N16F69GA	M376B16F69	M376W16F69NF	AM 50
DN 65	C376EA5E70	C376NA5E70	C376VA5E70	C376TA5E70	C376NA5E70GA	C376BA5E70	C376WA5E70NF	EA 35
	M376E16F70	M376N16F70	M376V16F70	M376T16F70	M376N16F70GA	M376B16F70	M376W16F70NF	AM 50
DN 80	C376EA5E71	C376NA5E71	C376VA5E71	C376TA5E71	C376NA5E71GA	C376BA5E71	C376WA5E71NF	EA 35
	M376E16F71	M376N16F71	M376V16F71	M376T16F71	M376N16F71GA	M376B16F71	M376W16F71NF	AM 50
DN 100	C376EA5G72	C376NA5G72	C376VA5G72	C376TA5G72	C376NA5G72GA	C376BA5G72	C376WA5G72NF	EA 70
	M376E16H72	M376N16H72	M376V16H72	M376T16H72	M376N16H72GA	M376B16H72	M376W16H72NF	AM 100

DN 125	C376EA5I73	C376NA5I73	C376VA5I73	C376TA5I73	C376NA5I73GA	C376BA5I73	C376WA5I73NF	EA 130
	M376E16L73	M376E16L73	M376V16L73	M376T16L73	M376N16L73GA	M376B16L73	M376W16L73NF	AM 200
DN 150	C376EA5I74	C376NA5I74	C376VA5I74	C376TA5I74	C376NA5I74GA	C376BA5I74	C376WA5I74NF	EA 130
	M376E16L74	M376N16L74	M376V16L74	M376T16L74	M376N16L74GA	M376B16L74	M376W16L74NF	AM 200
DN 200	C376EA5K75	C376NA5K75	C376VA5K75	C376TA5K75	C376NA5K75GA	C376BA5K75	C376WA5K75NF	EA 240
	M376E16L75	M376N16L75	M376V16L75	M376T16L75	M376N16L75GA	M376B16L75	M376W16L75NF	AM 200
DN 250	E376E16N76	E376N16N76	E376V16N76	E376T16N76	E376N16N76GA	E376B16N76	E376W16N76NF	AE 400
	M376E16P76	M376N16P76	M376V16P76	M376T16P76	M376N16P76GA	M376B16P76	M376W16P76NF	AM 500
DN 300	E376E16R77	E376N16R77	E376V16R77	E376T16R77	E376N16R77GA	E376B16R77	E376W16R77NF	AE 600
	M376E16P77	M376N16P77	M376V16P77	M376T16P77	M376N16P77GA	M376B16P77	M376W16P77NF	AM 500
DN 350	E376E16T78	A RICHIESTA	----	----	----	----	----	AE 1000
	M376E16T78	A RICHIESTA	----	----	----	----	----	AM 1000
DN 400	E376E16T79	A RICHIESTA	----	----	----	----	----	AE 1000
	M376E16T79	A RICHIESTA	----	----	----	----	----	AM 1000
DN 450	E376E16T80	A RICHIESTA	----	----	----	----	----	AE 1000
	M376E16T80	A RICHIESTA	----	----	----	----	----	AM 1000
DN 500	E376E16V81	A RICHIESTA	----	----	----	----	----	AE 1500
	M376E16V81	A RICHIESTA	----	----	----	----	----	AM 1500
DN 600	E376E16X82	A RICHIESTA	----	----	----	----	----	AE 2000
	M376E16X82	A RICHIESTA	----	----	----	----	----	AM 2000

BODY IN CAST IRON

BRONZE ALUMINIUM BUTTERFLY				ACTUATOR
LINER	EPDM	NBR		
DN 40	C377EA5E68	C377NA5E68		EA 35
	M377E16F68	M377N16F68		AM 50
DN 50	C377EA5E69	C377NA5E69		EA 35
	M377E16F69	M377N16F69		AM 50
DN 65	C377EA5E70	C377NA5E70		EA 35
	M377E16F70	M377N16F70		AM 50
DN 80	C377EA5E71	C377NA5E71		EA 35
	M377E16F71	M377N16F71		AM 50
DN 100	C377EA5G72	C377NA5G72		EA 70
	M377E16H72	M377N16H72		AM 100
DN 125	C377EA5I73	C377NA5I73		EA 70
	M377E16L73	M377N16L73		AM 200
DN 150	C377EA5I74	C377NA5I74		EA 130
	M377E16L74	M377N16L74		AM 200
DN 200	C377EA5K75	C377NA5K75		EA 240
	M377E16L75	M377N16L75		AM 200
DN 250	E377E16N76	E377N16N76		AE 400

-----	M377E16P76	M377N16P76	AM 500
DN 300	E377E16R77	E377N16R77	AE 600
	M377E16P77	M377N16P77	AM 500
DN 350	----	A RICHIESTA	AE 1000
	----	A RICHIESTA	AM 1000
DN 400	----	A RICHIESTA	AE 1000
	----	A RICHIESTA	AM 1000
DN 450	----	A RICHIESTA	AE 1000
	----	A RICHIESTA	AM 1000
DN 500	----	A RICHIESTA	AE 1500
	----	A RICHIESTA	AM 1500
DN 600	----	A RICHIESTA	AE 2000
	----	A RICHIESTA	AM 2000