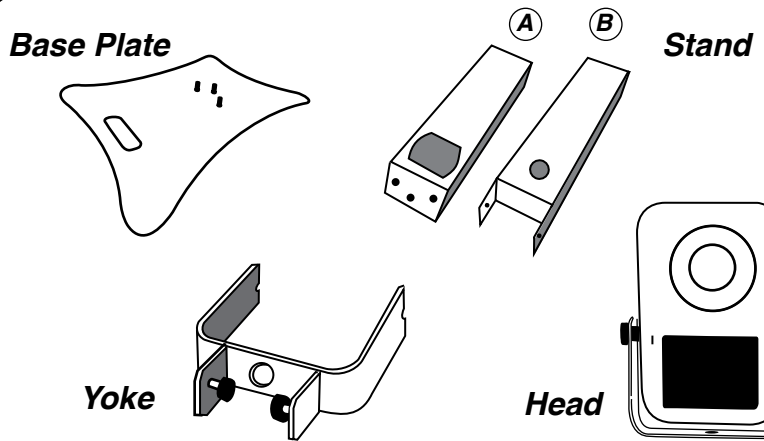
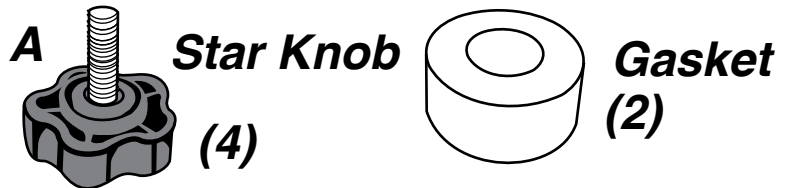


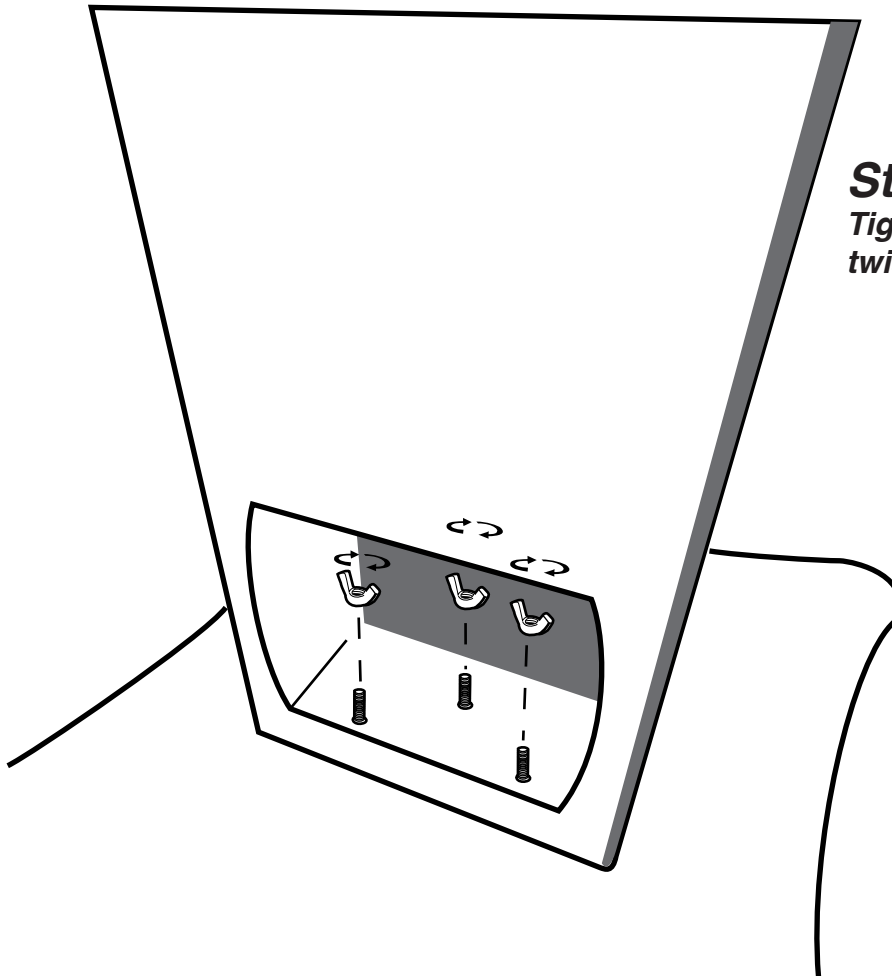
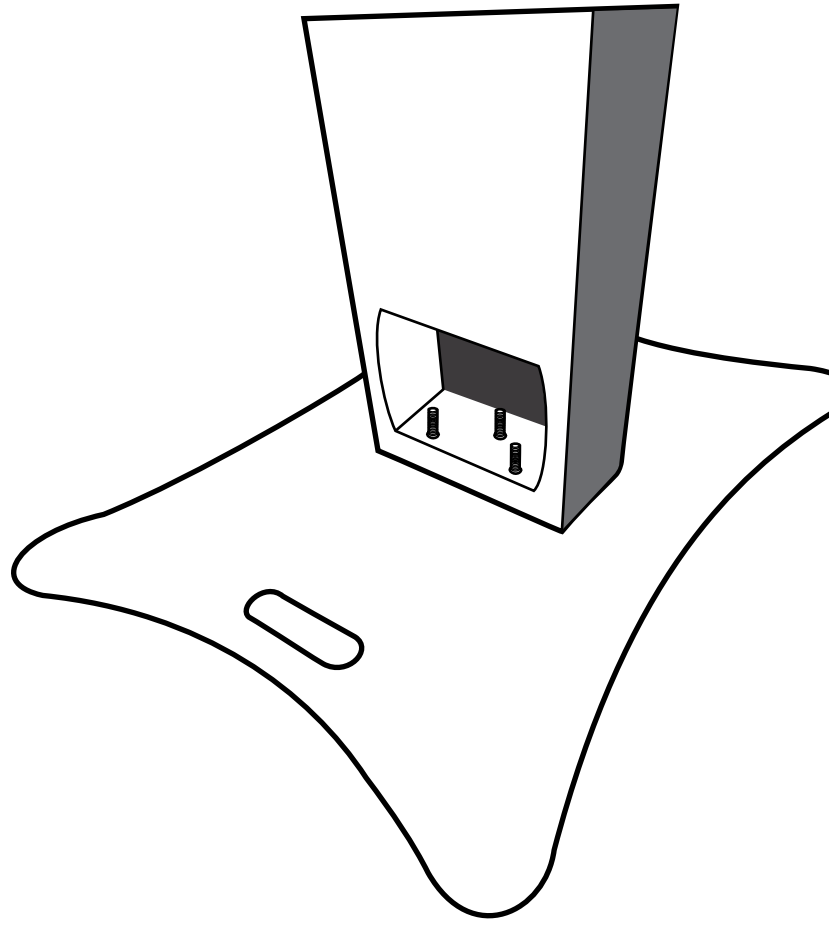
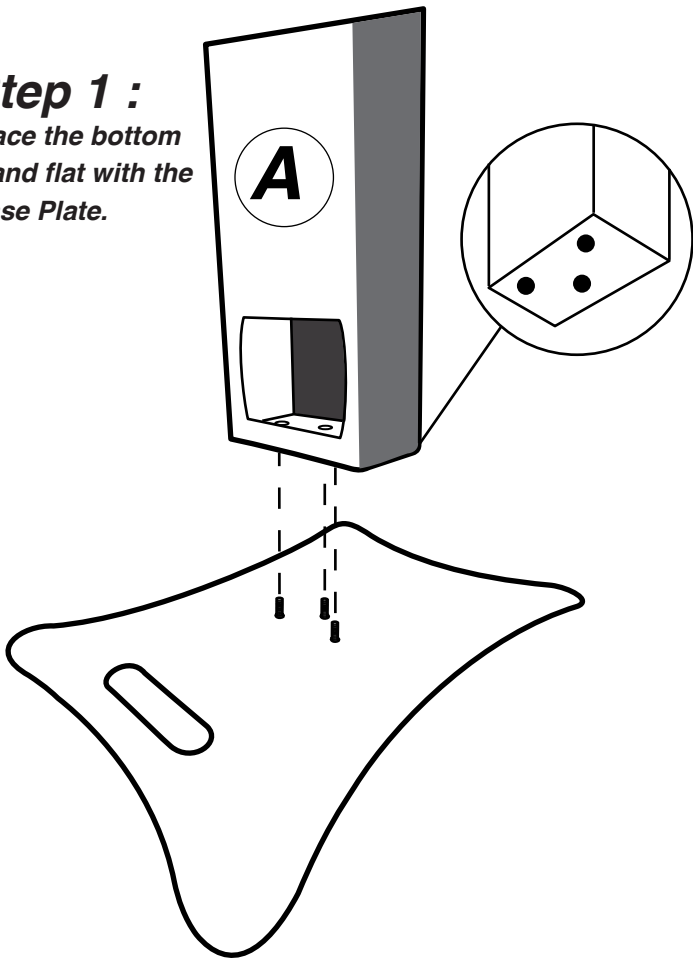
T12 SERIES

PHOTO BOOTH SHELL

ASSEMBLY MANUAL



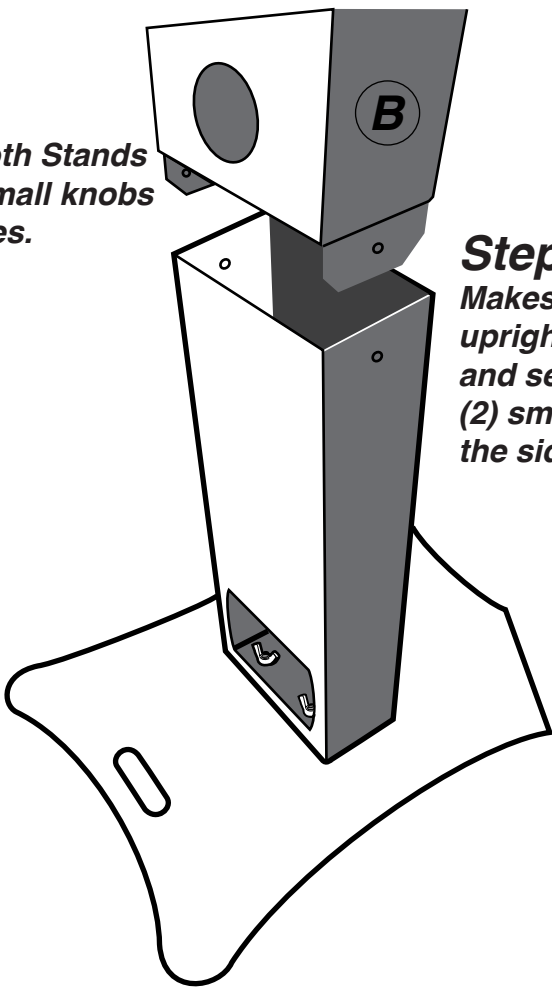
Step 1 :
Place the bottom
stand flat with the
Base Plate.



Step 2 :
Tighten the (3) wingnuts by
twisting clockwise

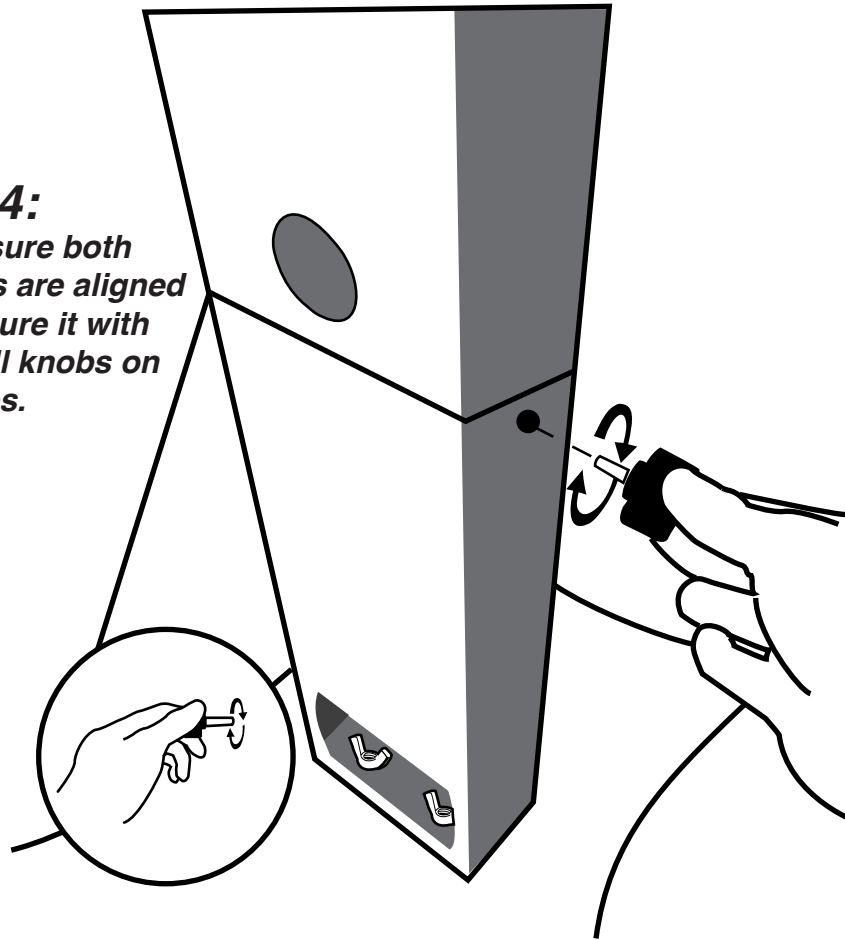
Step 3:

Attached both Stands with 2 (A) small knobs on both sides.



Step 4:

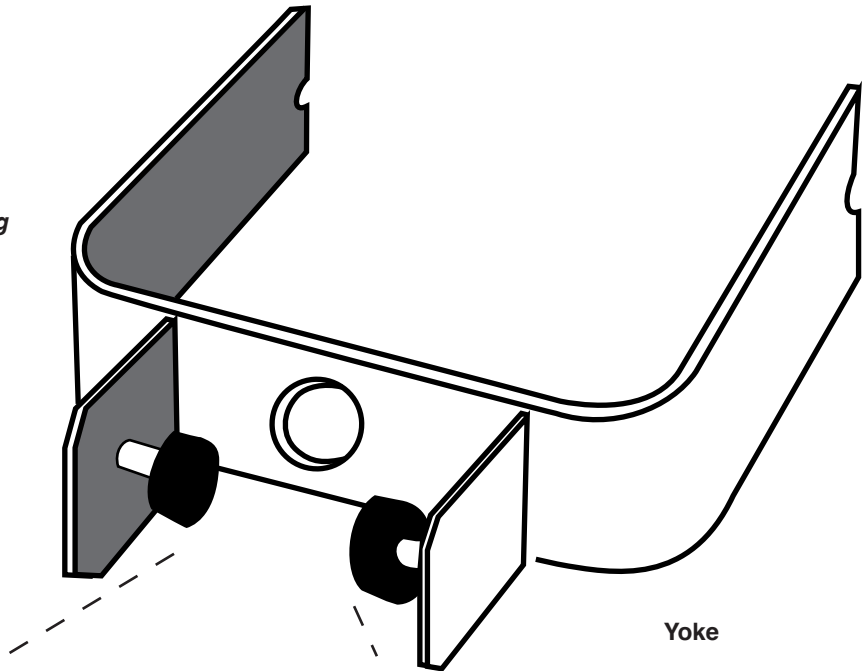
Makes sure both uprights are aligned and secure it with (2) small knobs on the sides.



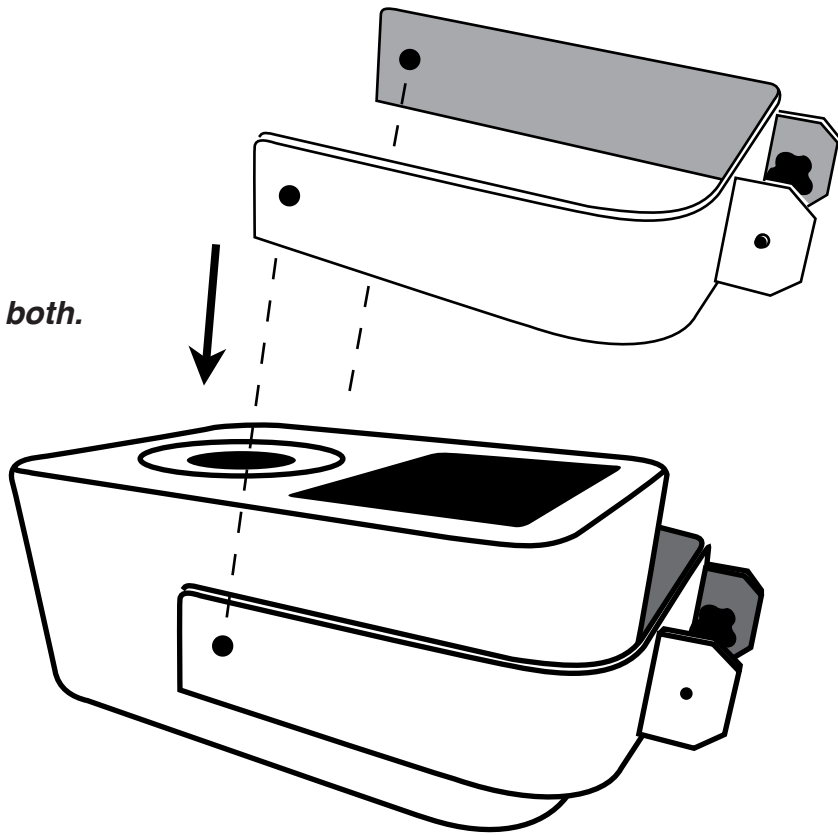
Step 5:

Un-Screw the knobs from the inside of the "Yoke" bracket

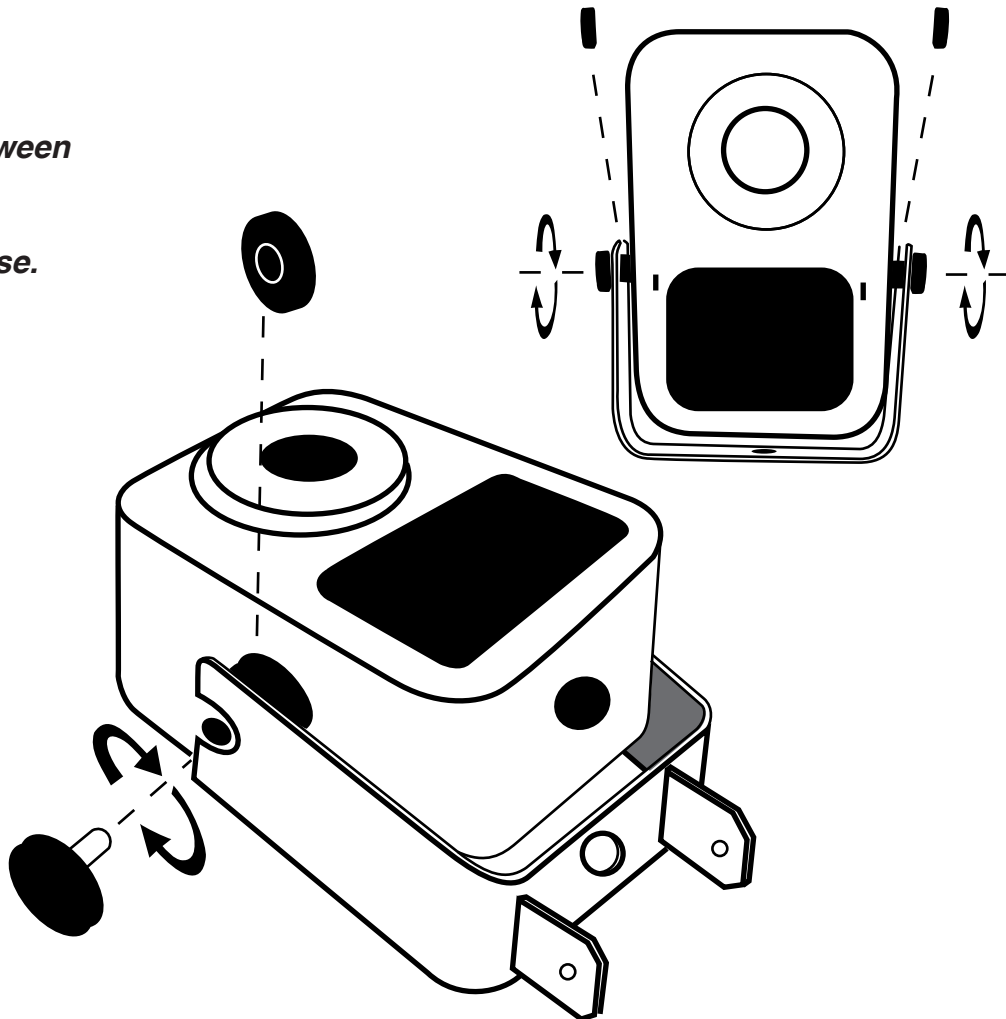
Note: We normally reverse knobs for packaging



Step 6:
Align Yoke with Head of photo both.



Step 7:
*Insert Gaskets inbetween
Yoke and Head. Then
apply Starscrew (B)
by screwing clockwise.*



Step 8

Align Photo booth Head with Stand.

Insert male end of booth into the reciving end of the stand.

Apply Star knob (A) and tighten on both sides.

