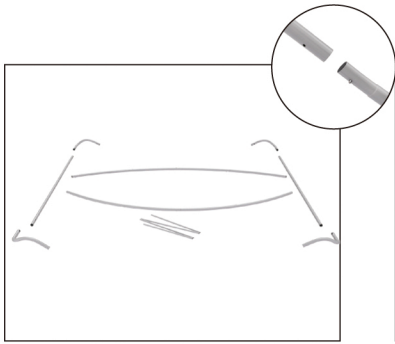
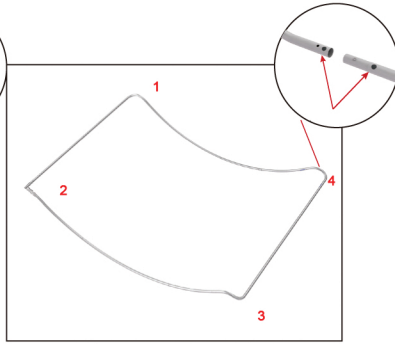


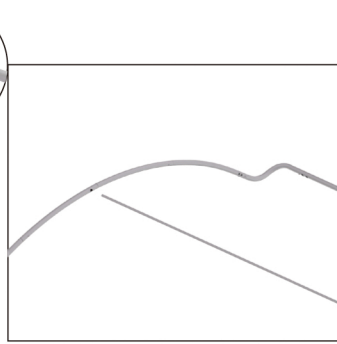
## Curved EZ-Zip Fabric Displays



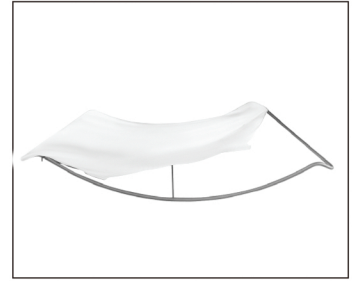
1. Assemble the poles.



2. Match symbols marked on 2 pieces together. Click together so that button nubs protrude through holes.



3. Insert vertical middle pole into holes top and bottom.



4. Slide on graphic like a pillow case on a pillow. Do not force.



5. Zip the zipper along the bottom of the graphic.



6. Adjust the graphic to fit the corners.



Note: Position the zippers so that they meet on one side of the display.



7. Attach optional lights securely

