

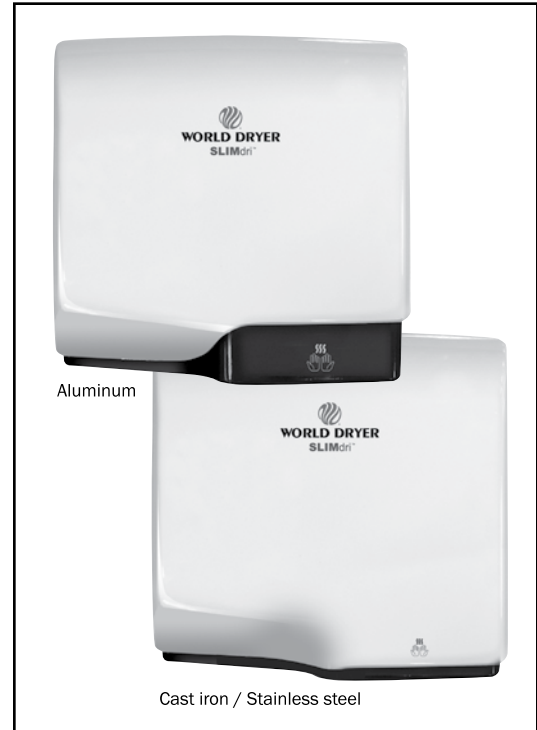
SLIMdri™ is the fastest and most energy efficient surface-mounted ADA compliant hand dryer. The SLIMdri hand dryer provides the best drying performance in its class, and is perfect for all commercial washrooms. The ON/OFF heating control, stylish low-profile design with flexible cover options, and universal voltage features fits any décor or washroom environment.

Product Benefits

- Surface-mounted ADA compliant
- Simplifies installation and reduces installation costs
- Up to 40% faster dry time than leading competitive surface-mounted ADA dryers
- Up to 70% less energy than competitive dryers
- Universal voltage – accepts 110-120 / 208 / 220-240 VAC input
- ON/OFF heat control to customize comfort and energy savings
- SteriTouch® antimicrobial protection to promote hand hygiene
- Automatic activation
- IP23 rating - protection against harmful water ingress
- Ultra compact and contemporary stylish design
- Durable and vandal resistant

Architecture & Engineering Specifications

SLIMdri™ hand dryer shall be manufactured by World Dryer Corporation to include a cover constructed of either die-cast aluminum finished with epoxy paint or chrome plating; stainless steel or cast iron with porcelain enamel finish. The wall mounting plate shall be constructed of die-cast aluminum and the nozzle shall be constructed of die-cast aluminum finished with epoxy paint finish. Epoxy painted covers shall incorporate SteriTouch® antimicrobial technology. The cover shall be attached to the wall mounting plate with tamper-proof screws. Motor shall be a thermally-protected universal brush type motor operating at 13,000 RPM and delivering 70 CFM air flow at a velocity of 140 MPH (12,320 LFM). Dryer shall incorporate universal controls accepting 115 / 208 / 230VAC input. Dryer will incorporate an chrome wire heating element protected by an automatic resetting thermal cutoff. Dryer shall be activated by an automatic infrared sensor with a 3 second run-on time and 60 second vandal shut-off. Control board shall contain a heater control switch which can be controlled in either ON or OFF position. Dryer shall provide a 48°F temperature rise. Dryer shall have an ingress protection rating of IP23. Hand dryers shall be certified to Underwriters Laboratories, Inc. standards for safety.



Aluminum

Cast iron / Stainless steel

Electrical specifications:

	110-120 V	208 V	220-240 V
Amps	8.3	3.7	4.1
Watts	950	775	950
Hz	60 Hz	60 Hz	60 Hz

Cover options:

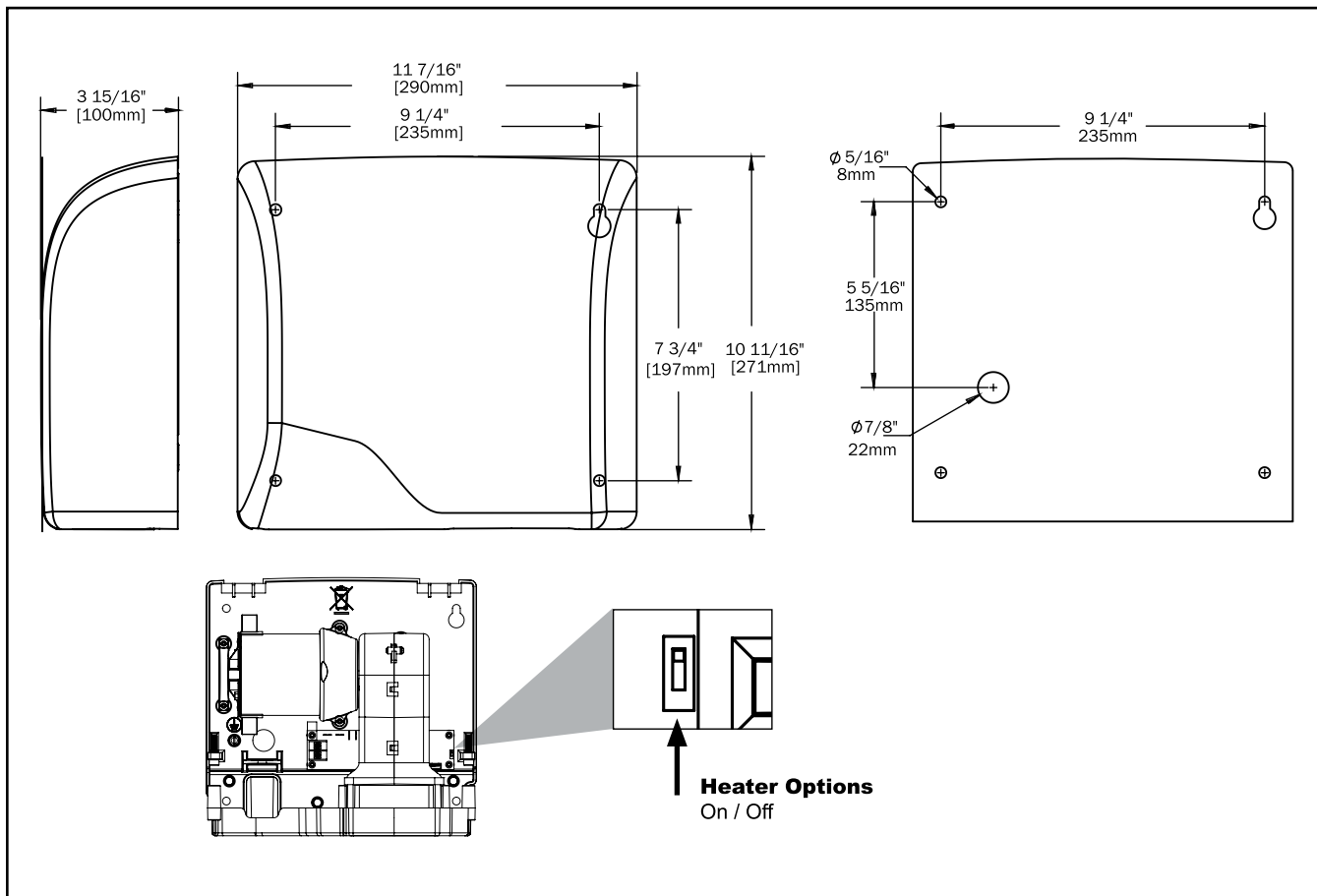
Cast Aluminum - with epoxy paint or chrome plating.

Cast Iron - with porcelain enamel finish

Stainless Steel - with polished or brushed finish

* Patented SteriTouch® Antimicrobial material reduces the spread of harmful mold, fungus and bacteria.

Cover Material	Cover Finish / Kit	110-120 / 208 / 220-240 V	Unit Weight	Shipping Weight	Unit Size (HxWxD) inch/mm	Shipping Size (HxWxD) inch/mm
Aluminum	White	# L-974	9.0 lbs / 4.1 kgs	10.6 lbs / 4.8 kgs	10.7" x11.43" x 3.9" 271 x 290 x 100	13.8" x 13" x 6.9" 350 x 330 x 175
Aluminum	Polished Chrome	# L-970	9.0 lbs / 4.1 kgs	10.6 lbs / 4.8 kgs	10.7" x11.43" x 3.9" 271 x 290 x 100	13.8" x 13" x 6.9" 350 x 330 x 175
Aluminum	Brushed Chrome	# L-971	9.0 lbs / 4.1 kgs	10.6 lbs / 4.8 kgs	10.7" x11.43" x 3.9" 271 x 290 x 100	13.8" x 13" x 6.9" 350 x 330 x 175
Cast Iron	Porcelain Enamel	# L-976	17.6 lbs / 7.9 kgs	20 lbs / 9 kgs	10.7" x11.43" x 3.9" 271 x 290 x 100	13.8" x 13" x 6.9" 350 x 330 x 175
Stainless Steel	Polished	# L-972	10.7 lbs / 4.8 kgs	12.3 lbs / 5.5 kgs	10.7" x11.43" x 3.9" 271 x 290 x 100	13.8" x 13" x 6.9" 350 x 330 x 175
Stainless Steel	Brushed	# L-973	10.7 lbs / 4.8 kgs	12.3 lbs / 5.5 kgs	10.7" x11.43" x 3.9" 271 x 290 x 100	13.8" x 13" x 6.9" 350 x 330 x 175



Placement Instruction

- Hand dryers should be spaced at least 2 feet apart, near but not over the wash basin
- In congested areas, dryers should be located to create a flow from wash basin to dryer to exit
- SLIMdri should be mounted at least 18" above or away from reflective surfaces which may interfere with the automatic sensor operation.
- Dryer Quantity Recommendation:
 Average Traffic: 1 dryer per 2 wash basins
 Heavy Traffic: 1 dryer per wash basin
 Industrial 54" Circular wash fountains: 4 dryers per sink
- Recommended mounting heights from floor to dryer bottom edge

Men's washrooms	46" (117 cm)
Women's washrooms	44" (112 cm)
Children's washrooms, ages 4-7	32" (81 cm)
Children's washrooms, ages 7-10	36" (91 cm)
Children's washrooms, ages 10-13	40" (102 cm)
Children's washrooms, ages 13-17	44" (112 cm)
Handicap Mounting Height	37" (94 cm)

Installation Guide

- SLIMdri™ hand dryers require a dedicated circuit with a minimum rating of 15 amps and must be properly grounded
- GFI circuit protection is recommended.
- One side of dryer should be mounted to a stud

Certifications



IP23



Warranty



10 year limited warranty
 5 year motor and sensor
 3 year motor brushes