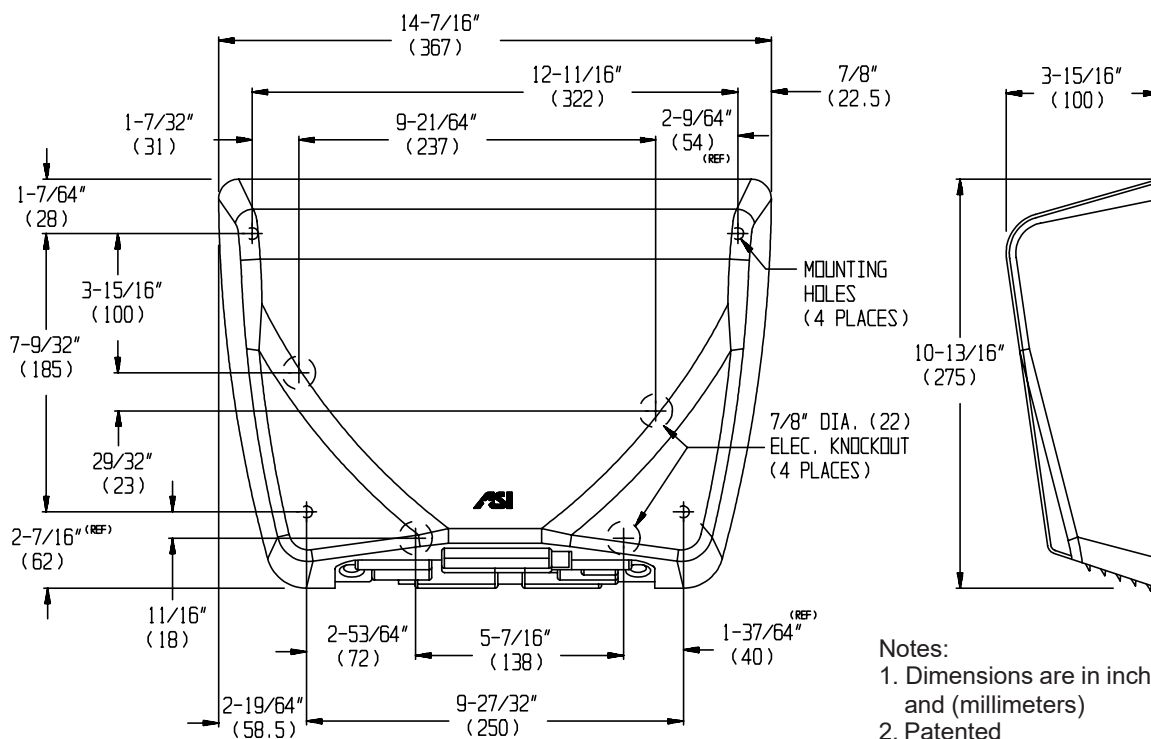


MODEL No: 0184

ISSUED: 10-05

REVISED: 07-08

SURFACE MOUNTED SENSOR HAND DRYER (pg 1/2)



- Notes:
 1. Dimensions are in inches and (millimeters)
 2. Patented

SPECIFICATION

Surface Mounted Hand Dryer shall operate automatically from IR sensor that shall activate dryer when hands are placed in sensor zone. Motor and heating element shall have internal resetting automatic thermal protection. Cover shall be fabricated of one-16 gauge (.063", 1.6) thick drawn steel and shall have all exposed surfaces finished with acid, chip and scratch resistant porcelain enamel or shall be 16 gauge stainless steel with bright or satin finish per option selected. Directional air vanes shall be heavy duty, rust proof and tamper resistant. Back plate shall be furnished with vibration isolating mounting bushings. Circuitry shall have self-adjusting time-out and fail-safe off protection controlled by a microprocessor that shall detect and reject false signals and shall automatically self calibrate to provide uniform sensitivity over its entire life span. Entire unit shall be internally grounded. Dryer unit shall have UL approval and be listed under the re-examination services of Underwriters Laboratories, Inc. Unit shall be warranted against defects in materials or workmanship for Ten (10) years.

Surface Mounted Sensor Hand Dryer shall be Model #0184 of by American Specialties Inc., 441 Saw Mill River Road, Yonkers, NY 10701-4913

INSTALLATION

Unit is surface mounted on wall with four (4) 1/4" screws, washers and bushings (supplied) through rubber grommets (supplied) in a corrosion protected formed heavy steel back plate. For masonry walls use expansion bolts or anchors for 1/4" (6) screws. Electrical service is supplied and connected (by others) prior to installing cover. Cover is secured to back plate with hex socket security screws (supplied). For compliance with ADA Accessibility Guidelines, unit should be installed so that bottom edge of dryer is 48" (1219) maximum above finished floor (AFF). For general utility install unit so that bottom edge of dryer is 45" to 50" (1143 to 1270) AFF. For two or more dryers, dryers should be no closer than 24" (610) on center.

OPERATION

Dryer is activated by user placing hands under sensor. Dryer automatically shuts off after time-out when user removes hands from sensor zone.

Accessory Specialties

AMERICAN DISPENSER

Desert Ray Products

MODEL No:	0184
ISSUED:	10-05
REVISED:	06-08

SURFACE MOUNTED SENSOR HAND DRYER (pg 2/2)

RATINGS

MODEL	TYPE	VOLTS AC FREQUENCY	TIMING	AMPS	WATTS	STOP DELAY	AUTO SHUT-OFF	COLOR
0184	Fixed Outlet	277 50/60Hz	Automatic	7.9	2200	2 Seconds	120 Seconds Maximum	White* (STD)

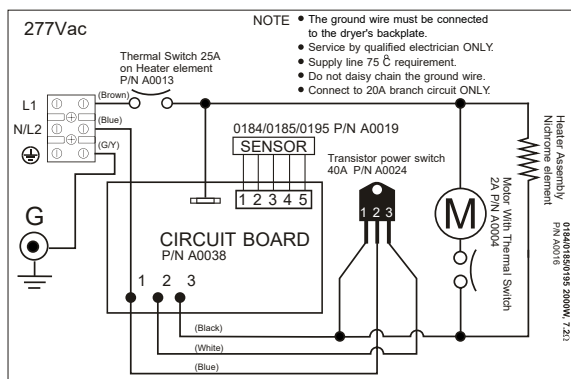
MOTOR	H/P	RPM	FAN TYPE	SENSOR	AIR FLOW	HEATING ELEMENT	OUTPUT AIR TEMPERATURE
Brush Type Dual Ball Bearings with 22°F (10°C) auto reset circuit breaker	1/4	7500	Single Inlet Centrifugal	Adjustable Activation Range 2" to 13" (51 to 330) Preset @ 7(±25% ₃₂) (178 ± 20)	185 CFM (314.5 m ³ /h)	2020W @ 7.12 Nichrome wire @ 120VAC with 149°F (65°C) auto reset circuit breaker	149°F (65°C) @ 77°F (25°C) ambient room temperature

COLOR OPTIONS*

Unit is supplied with white finish unless color option is specified. Specify optional color (from chart below) by adding proper code number suffix to standard model number (i.e. 0184-40) and indicate option by circle on correct code in chart. For color chips see the OPTIONS section.

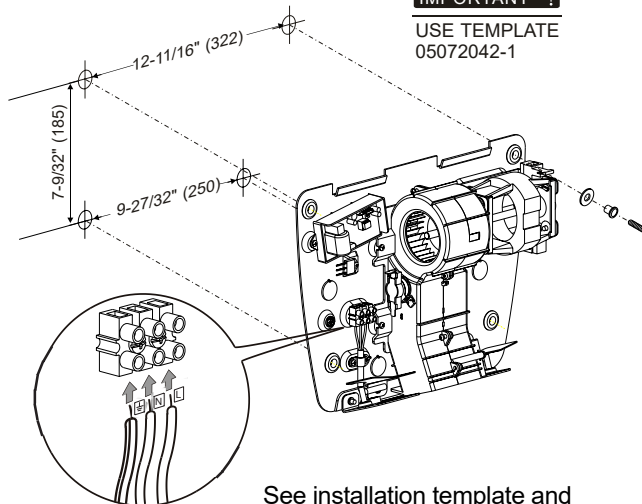
CODE	COLOR	CODE	COLOR	CODE	COLOR	CODE	COLOR	CODE	COLOR
40	Cool Grey	41	Black	71	Almond	92	Stainless Steel Bright	93	Stainless Steel Satin

Circuit Diagram



Installation Diagram

IMPORTANT !
USE TEMPLATE
05072042-1



See installation template and instructions packed with unit.