

VOORWOORD

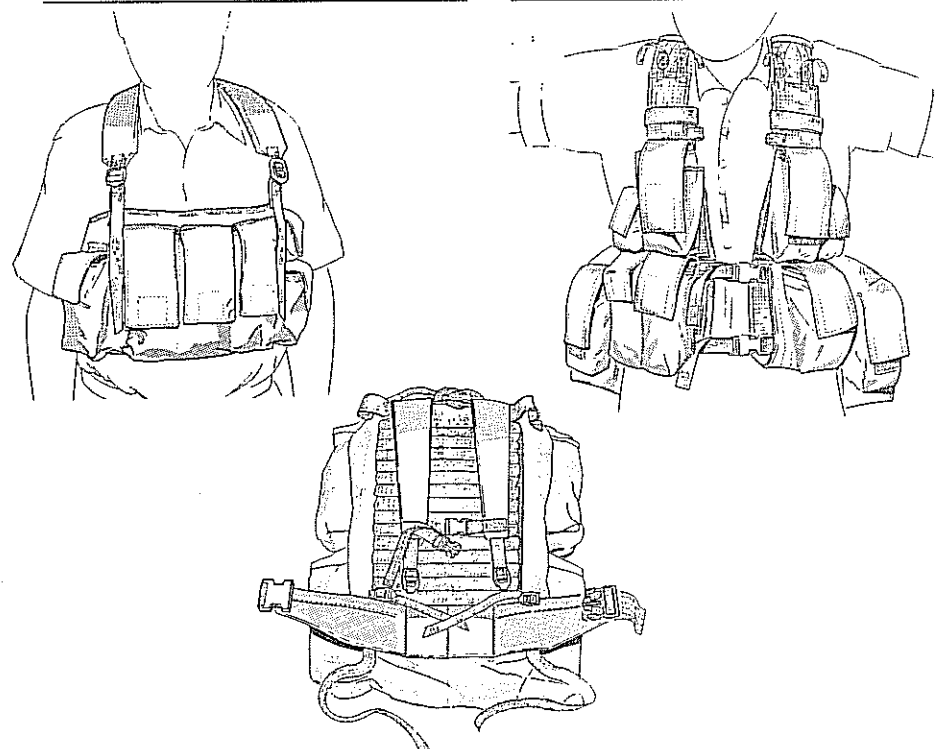
1. Hierdie handleiding is opgestel met die doel om:
 - a. Die instrukteur van die uitrusting met die hantering daarvan vertrou te maak, en
 - b. Aan die instrukteur die instandhoudingsprosedures te verduidelik wat uitgevoer moet word om die seiluitrusting in 'n diensbare toestand te hou.
2. Gevolglik is hierdie boek in twee dele verdeel:
 Deel A : Instrukteurshandleiding
 Deel B : Instandhoudingshandleiding.
3. Voordat die uitrusting gebruik word, moet die handleiding bestudeer word om die gebruiker vertrou te maak met die instruksies wat in hierdie handleiding gegee word.
4. Daar mag geensins afgewyk word van die instruksies wat in hierdie handleiding neergelê is nie.
5. Indien groot herstelwerk nodig is, moet dit deur die hou-eenheid se kleremaker uitgevoer word.
6. Die handleiding bestaan uit 'n enkele volume wat Dele A en B bevat.
7. Indien enige probleem met betrekking tot hierdie handleiding ontstaan, moet sodanige probleem onder die aandag gebring word van:

 Hoof van die Laër
 Direkteur Tegniese Dienste
 Privaatsak X172
 Pretoria
 0001
8. Alle wysigings aan hierdie publikasie moet op die wysigingsblad aangeteken word.

PREFACE

1. This manual is compiled with the purpose of:
 - a. Familiarising the instructor of the equipment with the handling of it and
 - b. Explaining to the instructor the maintenance procedures to be carried out to keep the webbing in a serviceable condition.
2. Consequently this book is divided into two parts:
 Part A : Instructor's Manual
 Part B : Maintenance Manual.
3. Before using the equipment, the manual must be studied in order to familiarise the instructor with the instructions issued in this manual.
4. Under no circumstances shall there be any deviation from the instructions laid down in this manual.
5. Should major repairs be necessary, they are to be carried out by the holding unit's tailor.
6. The manual consists of a single volume containing Parts A and B.
7. If any problem concerning this manual should arise, these problems shall be brought to the attention of:

 Chief of the Army
 Director Technical Services
 Private Bag X172
 Pretoria
 0001
8. All amendments to this publication shall be recorded on the amendment sheet.



Hoof Inhoudsopgawe/Main Contents List

Afdeling	Beskrywing	Bladsy	Section	Description	Page
DEEL A	INSTRUKTEURS-HANDLEIDING	A1	PART A	INSTRUCTOR'S MANUAL	A1
Afdeling A/1	Inleiding	A3	Section A/1	Introduction	A3
Afdeling A/2	Samestellingsinstruksies	A27	Section A/2	Assembly Instructions	A27
DEEL B	INSTANDHOUDINGS-HANDLEIDING	B1	PART B	MAINTENANCE MANUAL	B1
Afdeling B/1	Tegniese Spesifikasies	B3	Section B/1	Technical Specifications	B3
Afdeling B/2	Instandhoudingsinstruksies	B5	Section B/2	Maintenance Instructions	B5
Afdeling B/3	Skoonmaak van Uitrusting	B21	Section B/3	Cleaning the Equipment	B21
Afdeling B/4	Metodes van Herstel	B24	Section B/4	Methods of Repair	B24

GEDETAILLEERDE AFDELINGSINHOUD

DETAILED SECTION CONTENTS

INSTRUKTEURSHANDLEIDING

INSTRUCTOR'S MANUAL

Afdeling	Hoofdstuk	Beskrywing	Bladsy	Section	Chapter	Description	Page
A/1		INLEIDING	A3	A/1		INTRODUCTION	A3
	1.	Algemene	A3		1.	General	A3
	2.	Borsseiluitrusting	A9		2.	Ammunition Carrying Breast Pouch	A9
	3.	Gevegsbaadjie	A12		3.	Ammunition Carrying Vest	A12
	4.	Rugsak	A18		4.	Field Pack	A18
	5.	Staalraamsamestel	A23		5.	Steel Frame Assembly	A23
A/2		SAMESTELLINGS-INSTRUKSIES	A27	A/2		ASSEMBLY INSTRUCTIONS	A27
	1.	Borsseiluitrusting	A27		1.	Ammunition Carrying Breast Pouch	A27
	2.	Gevegsbaadjie	A34		2.	Ammunition Carrying Vest	A34
	3.	Rugsak	A47		3.	Field Pack	A47
	4.	Staalraamsamestel	A53		4.	Steel Frame Assembly	A53

DEEL
PART A

INSTRUKTEURSHANDLEIDING
INSTRUCTORS MANUAL

AFDELING A/1 - HOOFSTUK 1

ALGEMENE

INLEIDING

1. Die Seilveguitrusting, Patroon 83 bestaan uit die volgende items:
 - a. Borsseiluitrusting.
 - b. Gevegsbaadjie.
 - c. Rugsak.
 - d. Staalraamsamstel.
2. Elke item van die uitrusting het 'n spesifieke gebruik en verskillende kombinasies kan gedra word vir optimale dravermoë en draergerief. Een van die kenmerke van die ontwerp is om te verseker dat die draer nie deur los, klappende uitrusting belas word nie en dat volle beweeglikheid behou word.

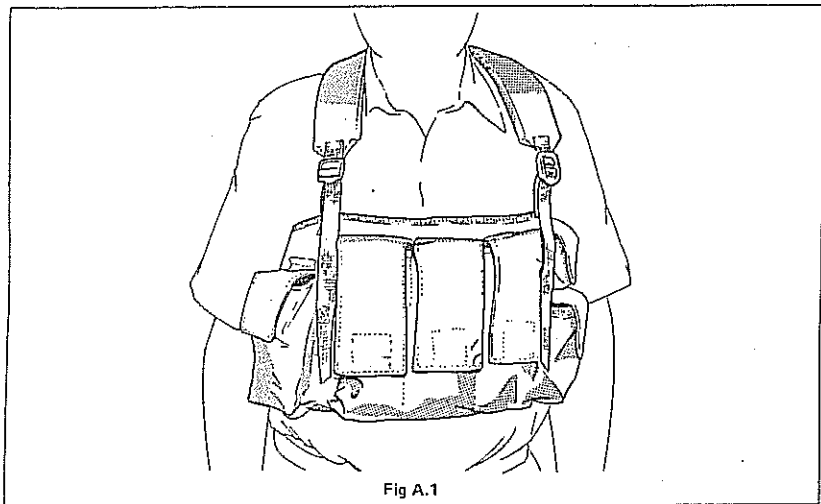


Fig A.1

3. Die borsseiluitrusting (Fig A.1) stel die draer in staat om 'n beperkte hoeveelheid ammunisie en ander items te dra, wat as noodsaaklik vir kortafstandoperasies beskou word. Tipiese dravermoë van die borsak is soos volg:
 - a. Ses R4 35-skoot-magasyne of ses R1 20-skoot-magasyne.
 - b. Een standaard personeelgranaat (M26).

SECTION A/1 - CHAPTER 1

GENERAL

INTRODUCTION

1. The Combat Webbing, Pattern 83 consists of the following items:
 - a. Ammunition carrying breast pouch.
 - b. Ammunition carrying vest (combat jacket).
 - c. Field pack.
 - d. Steel frame assembly.
2. Each item of equipment has a specific use and various combinations can be worn for optimum carrying capacity and wearer comfort. One of the features of the design is to ensure that the wearer is not encumbered by loose, flapping equipment and that full mobility is maintained.

3. The ammunition carrying breast pouch (Fig A.1) enables the wearer to carry a limited amount of ammunition and other items, which are considered essential for short range operations. Typical carrying capacity of the breast pouch is as follows:
 - a. Six R4 35-round magazines or six R1 20-round magazines.
 - b. One standard anti-personnel grenade (M26).

- c. Een fosfor- of rookgranaat (of 'n tweede M26-granaat).
- d. Een kompas of veldverband.
- e. Kaarte en gradeboë, ens.
- f. Een 15 mm-seinwerper.

- c. One phosphorous or smoke grenade (or a second M26 grenade).
- d. One compass or field dressing.
- e. Maps and protractors, etc.
- f. One 15 mm pencil flare projector.

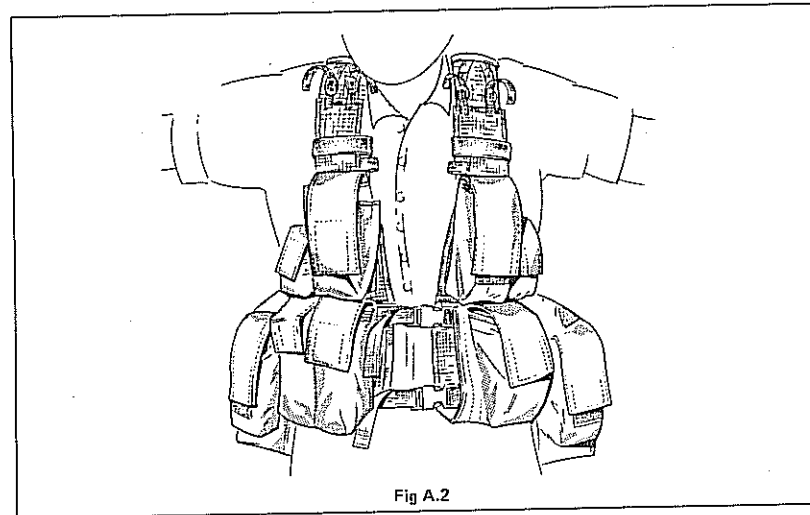


Fig A.2

4. Die gevegsbaadjie (Fig A.2) gee die draer 'n groter dravermoë en is dus geskik vir operasies wat langer duur. Tipiese dravermoë van die onderbaadjie is soos volg:
 - a. Slaapsak.
 - b. Grondseil, of veeldoelskuiling, of 'n natweerpak.
 - c. Rantsoene.
 - d. Agt R4 35-skoot-magasyne, of agt R1 20-skoot-magasyne.
 - e. Drie 2-liter-waterbottels, of twee 2-liter-waterbottels en 'n A52/A53-radio.
 - f. Granaat (kyk ook subparagraaf g hieronder).
 - i. Een verkyker en twee fosfor- of rookgranaat, of
 - ii. Vier fosfor- of rookgranaat, of
 - iii. Agt M26-granaat.

4. The ammunition carrying vest (Fig A.2) provides the wearer with a greater carrying capacity and hence is suitable for operations of longer duration. Typical carrying capacity of the vest is as follows:
 - a. Sleeping bag.
 - b. Groundsheet, or multi-purpose shelter, or a wet weather suit.
 - c. Rations.
 - d. Eight R4 35-round magazines, or eight R1 20-round magazines.
 - e. Three 2 litre water bottles, or two 2 litre water bottles and an A52/A53 radio.
 - f. Grenades (see Sub-paragraph g. below):
 - i. One pair of binoculars and two phosphorous or smoke grenades, or
 - ii. Four phosphorous or smoke grenades, or
 - iii. Eight M26 grenades.

- | | |
|--|---|
| <p>g. Een kompas en een veldverband, of twee veldverbande, of twee M26-granate.</p> <p>h. Twee seinwerpers (15 mm).</p> <p>j. Twee mortierbomme.</p> <p>k. Kaarte, gradeboë (en soortgelyke plat items).</p> <p>l. Rantsone vir 'n minimum van 48 uur.</p> | <p>g. One compass and one field dressing, or two field dressings, or two M26 grenades.</p> <p>h. Two 15 mm pencil flare projectors.</p> <p>j. Two mortar bombs.</p> <p>k. Maps, protractors (and similar flat items).</p> <p>l. Rations for 48 hours minimum.</p> |
|--|---|

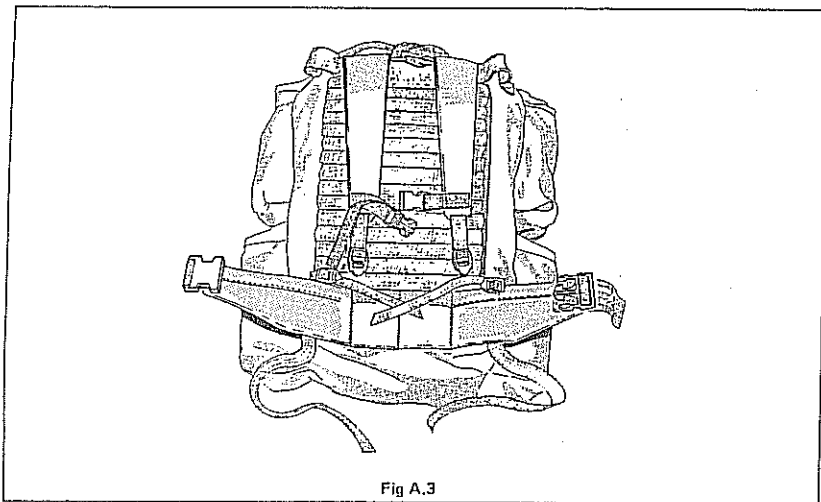


Fig A.3

- | | |
|---|---|
| <p>5. Die rugsak (Fig A.3) gee die draer 'n baie groot draervermoë en is geskik vir operasies wat lank duur. Tipiese draervermoë van die rugsak is soos volg:</p> <p>a. Een slaapsak.</p> <p>b. Vier waterbottels.</p> <p>c. Kaarte, gradeboë, ens. (dws plat voorwerpe).</p> <p>d. Een groot bosak om ligte items soos klere, ens. te dra.</p> <p>e. Een groot ondersak om swaar items (magasyn, rantsone, ens.) te dra.</p> | <p>5. The field pack (Fig A.3) provides the wearer with a very large carrying capacity and is suitable for operations of long duration. Typical carrying capacity of the field pack is as follows:</p> <p>a. One sleeping bag.</p> <p>b. Four water bottles.</p> <p>c. Maps, protractors, etc (ie. flat objects).</p> <p>d. One large upper pouch for carrying light items such as clothing, etc.</p> <p>e. One large lower pouch for carrying heavy items (magazines, rations, etc).</p> |
|---|---|

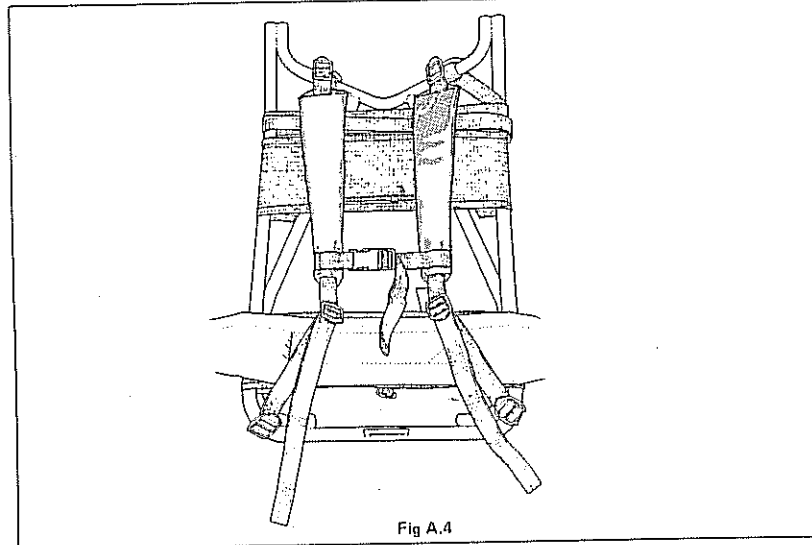


Fig A.4

- | | |
|---|--|
| <p>6. Die staalraamsamestel (Fig A.4) is hoofsaaklik bedoel vir gebruik deur die infanteris wat baie moet loop, met 'n gelaaiete rugsak. Voordele van die gebruik van 'n staalraam saam met die rugsak is soos volg:</p> <p>a. Goëie lugsiroulasie tussen die rugsak en die draer se liggaam (dws die staalraam hou die rugsak weg van die draer se liggaam).</p> <p>b. Die twee fynmaasstofbande wat die raam teen die liggaam ondersteun, help met lugsiroulasie en gee 'n springeffek, wat skokke absorbeer wat deur skielike bewegings veroorsaak word.</p> <p>c. Beter lasverdeling, weens die rigiede bou van die raam.</p> <p>7. Die staalraamsamestel (sonder die rugsak) kan ook gebruik word om verskillende tipes laste te dra, soos ammunisiekkiste, klein kratte, of enigiets anders wat op die raam sal pas en nie te swaar is om te dra nie. Drie spesiale vasmaakbande word voorsien om die las aan die raam vas te maak.</p> <p>8. Die staalraam kan deur valskermsoldate as 'n landingsplatform vir die rugsak gebruik word. As dit vir hierdie doel gebruik word, word impak teen die grond deur die staalraam gaabsorbeer en nie deur die rugsak of die uitrusting wat daarin gedra word nie. Dit is egter noodsaaklik dat die valskermsoldaat se hang-tou (met vasmaakbande) aan die rugsak/staalraam-</p> | <p>6. The steel frame assembly (Fig A.4) is primarily intended for use by the infantryman who is required to do a considerable amount of walking, with a loaded field pack. Advantages of using the steel frame in conjunction with the field pack are as follows:</p> <p>a. Good air circulation between the field pack and the wearer's body (ie. the steel frame holds the field pack away from the wearer's body).</p> <p>b. The two fine mesh-type fabric bands, which support the frame against the body, assist air circulation and produce a springing effect, which absorbs shocks caused by sudden movements.</p> <p>c. Better load distribution, due to the rigid construction of the frame.</p> <p>7. The steel frame assembly (without the fieldpack) can also be used to carry various types of loads such as ammunition boxes, small crates, or anything else that will fit on the frame and is not too heavy to carry. Three special securing straps are provided to secure the load to the frame.</p> <p>8. The steel frame can be used by paratroopers as a landing platform for the field pack. When used for this purpose, impact with the ground is absorbed by the steel frame and not by the field pack or the equipment carried inside. However, it is essential that the paratrooper's suspension rope is tied (via securing straps) to the field pack/steel frame combination so</p> |
|---|--|

BEPERK/RESTRICTED

kombinasie vasgemaak moet wees sodat die rugsak bo-op die staalraam is as dit aan die hangtouw hang. As die valskerm soldaat dus die rugsak/staalraamkombinasie vrystel, hang dit met die hangtouw aan die valskermtuig, en die staalraam tref die grond eerste.

MATERIALE EN KONSTRUKSIE

9. Die gevegeiseluitrusting, Patroon 83, is doelgemaak om die toestande en behoeftes van die vogsoldaat te pas, wat sonder logistieke steun is en dus verskillende hoeveelhede ammunisie, rantsoene en uitrusting moet dra.

10. Verskillende stowwe word by die vervaardiging van die gevegeiseluitrusting gebruik en dit word spesiaal gekies om vir die doel geskik te wees en om die strawwe daaglikse gebruik in vegtoestande te weerstaan.

WAARSKUWINGS

Moenie naby of in aanraking met oop vlamme geplaas word nie.

11. 'n Vasmaakband- en gesppekombinasie word gebruik om dit moontlik te maak om die uitrusting te verstel om die draer se liggaamsbou te pas, sowel as die grootte van die items wat in die verskillende sakke gedra word. Gespe wat die meeste gebruik word, is die verstelbare (dws die lengte van die vasmaakband kan verander word) snelstope.

12. Sakke wat vinnig bygekom moet word, soos ammunisiesakke, word met 'n klap toegemaak, met ineenpassende insteekknippe wat aan die binnekant van die klap vasgewerk is met die kontakdeel aan die buitewand van die sakke. Hierdie inrigting voorkom dat items uit die sak val en vereenvoudig die oop- en toemaak van die klap.

GEBRUIKSKOMBINASIES

13. Die ontwerp en konstruksie van die gevegeiseluitrusting verseker dat die vogsoldaat voorsien is van 'n praktiese reeks seiluitrusting om by alle tipes operasies aan te pas, wat van 'n paar uur tot baie weke duur.

14. Die kombinasies wat die waarskynlikste gebruik sal word, is soos volg:

- a. Borsseiluitrusting en rugsak.
- b. Gevegsbaadjie en die rugsak (mits geen items in die agtersakke van die gevegsbaadjie gedra word nie).
- c. Staalsteunraam en ammunisiekiste.

that the field pack is on top of the steel frame when suspended on the suspension rope. Therefore, when the paratrooper releases the field pack/steel frame combination, it is suspended from the parachute harness by the suspension rope, and the steel frame hits the ground first.

MATERIALS AND CONSTRUCTION

9. The Combat Webbing, Pattern 83 is purpose made to suit the conditions and needs of the combat soldier who is without close logistic support, and hence is required to carry various amounts of ammunition, rations, and equipment.

10. Various fabrics are used in the manufacture of the Combat Webbing and these are specially selected for suitability of purpose and to withstand the rigours of daily use under combat conditions.

WARNING

Do not place near or in contact with naked flames.

11. Use is made of a securing strap and buckle combination to enable the equipment to be adjusted to suit the wearer's physique and the bulkiness of the items carried in the various pouches. Buckles, which are most frequently used, are of the adjustable (ie allow the length of the attaching strap to be altered) quick-release type.

12. Pouches to which quick access is required, such as ammunition, are enclosed by a flap, with female and male pile fasteners sewn onto the inside of the flap and the contact area on the outside wall of the pouch. This arrangement prevents items falling out of the pouch and simplifies opening and closing of the flap.

COMBINATIONS OF USE

13. The design and construction of the combat webbing ensures that the combat soldier is provided with a practical range of webbing equipment to suit all types of operations, lasting from a few hours to many weeks.

14. The combinations most likely to be used are as follows:

- a. Breast pouch and field pack.
- b. Ammunition carrying vest and the field pack (provided no items are carried in the rear pouches of the ammunition carrying vest).
- c. Steel support frame and ammunition boxes.

ALGEMENE VERSORGING VAN SEILUITRUSTING

15. Instandhouding van die gevegeiseluitrusting, Patroon 83, word volledig in Deel B van hierdie Handleiding beskryf en word dus slegs oor die algemeen hier bespreek.

16. Dit is noodsaaklik dat die uitrusting skoon, droog en diensbaar gehou word terwyl dit nie gebruik word nie. Die stof is spesiaal ontwerp om nie deur lang tydperke van klamheid geaffekteer te word nie. Klam of nat uitrusting is egter onaangenaam om te dra en kan die vel by kontakplekke skaaf. Daarbenewens sal die items wat in die nat sakke gedra word as die stof of materiaal nat is, ook nat word.

17. Kyk skoonmaakinstruksies in Deel B. Olie- en ghriesvlekke moet so gou moontlik met warm seepwater verwyder word.

18. Ondiensbare uitrusting moet óf herstel óf vervang word. Los steke moet met 'n naald en garing herstel word. Stukke draad, kramme, spykers of spelde mag geensins gebruik word om die uitrusting reg te maak nie.

19. Punte van bande wat uitrafel, kan herstel word deur die punt van die band af te sny (so naby aan die punt as wat prakties moontlik is) en dit met 'n baie warm metaalvoorwerp te seël. Aangesien die sintetiese materiaal ontvlambaar is, moet daar nie probeer word om die punt met 'n oop vlam te seël nie.

20. As 'n tydelike maatreeël kan die leer van gate of skeure in die stof voorkom word (dws as dit ongeweef raak of lostrek) deur 'n baie warm metaalvoorwerp te gebruik om die rande van die gat of skeur te seël.

GENERAL CARE OF WEBBING

15. Maintenance of the Combat Webbing, Pattern 83 is fully described in Part B of this Manual and hence is only discussed in general terms here.

16. It is essential that the equipment is kept clean, dry and serviceable when not in use. The fabric is specially designed to be unaffected by long periods of dampness. However, damp or wet equipment is unpleasant to wear and liable to cause chafing of the skin at contact areas. Moreover, if the fabric is wet, items carried inside the wet pouches will also become wet.

17. See cleaning instructions in Part B. Oil and grease stains should be removed as soon as possible using warm soapy water.

18. Unserviceable equipment should either be repaired or replaced. Loose stitching should be repaired with a needle and thread. Under no circumstances should pieces of wire, staples, nails or pins be used to repair the equipment.

19. Fraying ends of straps can be repaired by cutting off the end of the strap (as near to the end as practical) and sealing with a very hot metal object. Due to the inflammable nature of the synthetic material, do not attempt to seal the end using naked flames.

20. As a temporary measure, holes or tears in the fabric can be prevented from running (ie, becoming unwoven) by using a very hot metal object to heat seal the edges of the hole or tear.

AFDELING A/1 - HOOFSTUK 2

BORSSEILUITRUSTING

ALGEMENE BESKRYWING

1. Die borsseiluitrusting (Fig A.5) is ontwerp om personeel te voorsien van gerieflike borsakke vir magasyn, granate, kaarte, 'n kompas en 'n seinwerper sonder belemmering of beperking van die beweglikheid van die draer.

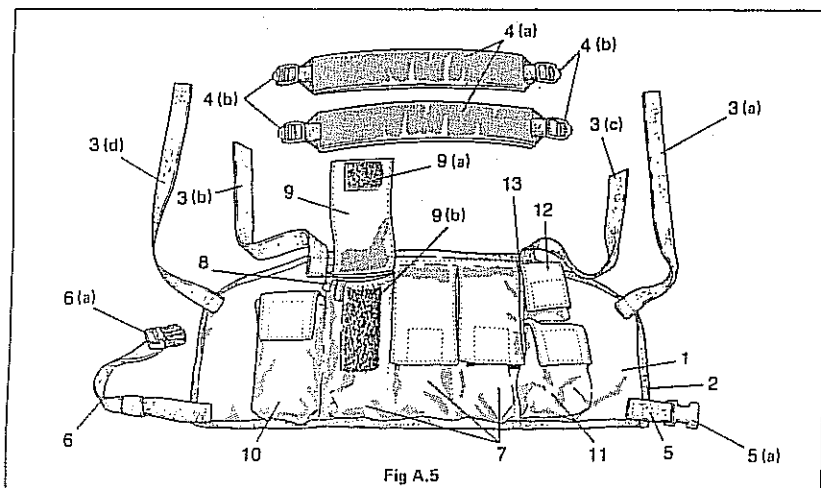


Fig A.5

- | | | | |
|------------------------------|---------------------------------|------------------------------------|--|
| 1. Hoofpaneel | 6. Stelbare Middelband (regter) | 1. Main Panel | 6. Adjustable Waist Strap (right) |
| 2. Bindband | 6(a). Manlike Snellosgespe | 2. Binding Tape | 6(a). Male Quick-Release Buckle |
| 3(a). Regteragtervasmaakband | 7. Magasyntasse | 3(a). Right Rear Attachment Strap | 7. Magazine Pouches |
| 3(b). Regtervoorvasmaakband | 8. Uitwerperbande | 3(b). Right Front Attachment Strap | 8. Ejector Straps |
| 3(c). Linkervoorvasmaakband | 9. Klap | 3(c). Left Front Attachment Strap | 9. Flap |
| 3(d). Linkeragtervasmaakband | 9(a). Insteekknip | 3(d). Left Rear Attachment Strap | 9(a). Pile Fastener |
| 4(a). Skouerbande | 9(b). Insteekknip | 4(a). Shoulder Straps | 9(b). Pile Fastener |
| 4(b). Gespe | 10. Fosfor- of Rookgranaatsak | 4(b). Buckle | 10. Phosphorous or Smoke Grenade Pouch |
| 5. Middelbande (linker) | 11. M26-granaattas | 5. Waist Straps (left) | 11. M26 Grenade Pouch |
| 5(a). Vroulike Snellosgespe | 12. Kompasas | 5(a). Female Quick-Release Buckle | 12. Compass Pouch |
| | 13. Seinwerperas | | 13. Pencil Flare Projector Pocket |

2. Die hoofpaneel (1) (Fig A.5) is gevorm om oor die bors en onder die armholtes te pas, en is randgebind met swart bindband (2) om te voorkom dat rande uitrafel. Vier vasmaakbande (3) word bo-aan die hoofpaneel vasgewerk en so geplaas dat, as die skouerbande (4) aangeheg word, die gewig van die items wat in die sakke gedra word, deur die draer se skouers ondersteun word.

2. The main panel (1) (Fig A.5) is shaped to fit across the chest and under the armpits, and is edge-bound with black binding tape (2) to prevent edges from fraying. Four attachment straps (3) are sewn to the top of the main panel and positioned such that, when the shoulder straps (4) are attached, the weight of the items carried in the pouches is supported by the wearer's shoulders.

3. Die skouerbande (4) is opgestop en breed genoeg om 'n gerieflike passing te verseker en skawing te voorkom as die borsseiluitrusting volgelaa is. Gespes (4a), by elke end of punt van die skouerbande (4) maak dit moontlik om die vasmaakbande (3) te verstel om die draer se liggaamsbou te pas.

4. Die borsseiluitrusting word om die liggaam vasgemaak deur middel van twee middelbande (5 en 6) wat aan die onderhoek van die hoofpaneel (1) vasgewerk is. Die draer se linkermiddelband (5) is nie verstelbaar nie en 'n vroulike snellosgespe (5a) is daaraan vas. 'n Manlike snellosgespe (6a) omlus die draer se regtermiddelband (6) en die effektiewe lengte van die band kan verstel word deur die posisie van die gespe (6a) te verander.

5. Die drie magasyntasse (7) is voor-op die hoofpaneel (1) vasgewerk en ontwerp om voldoende ruimte te laat om twee R4 35-skoat-magasyne in elke ruimte te steek. 'n Materiaalaafskorting verdeel elke magasyntas in twee afsonderlike kompartemente, in 'n abba-rangskikking. 'n Uitwerperband (8) is op die voorwand van elke magasyntas kompartement vasgewerk om magasyne te vereenvoudig. 'n Seinwerperas (13) is op die linkerswand van die magasyntas (7) vasgewerk.

6. 'n Granaattas (10 en 11) is op die hoofpaneel (1) aan elke kant van die magasyntasse (7) vasgewerk. Die tas (10), aan die draer se regterkant, is groot genoeg om 'n fosfor- of rookgranaat te bære. Die tas (11) aan die draer se linkerkant, is kleiner en geskik om 'n M26-granaat te dra.

7. Die kompasas (12) is op die hoofpaneel (1) vasgewerk en direk bokant die standaard granaattas (11) geplaas.

8. Elke tas word toegerus met 'n klap (9) wat op die hoofpaneel (1) bo die tasse vasgewerk is. Die klappe (9) word oor die tasse in posisie vasgemaak deur insteekknippe (9a en 9b), vasgewerk op die binnekant van die klap (9) en die buitekant van die tas.

3. The shoulder straps (4) are padded and of sufficient width to ensure a comfortable fitting and to prevent chafing when the breast pouch is fully loaded. Buckles (4a), at each end of the shoulder straps (4), enable the attachment straps (3) to be adjusted to suit the wearer's physique.

4. The breast pouch is secured around the body by two waist straps (5 and 6), which are sewn to the bottom corners of the main panel (1). The wearer's left waist strap (5) is non-adjustable and fitted with a female quick-release fastener (5a). A male quick-release buckle (6a) is looped onto the wearer's right waist strap (6) and, by changing the position of the buckle (6a), the effective length of the strap can be adjusted.

5. The three magazine pouches (7) are sewn onto the front of the main panel (1) and designed to allow sufficient space to insert two R4 35-round magazines in each pouch. A fabric partition divides each magazine pouch into two separate compartments, in a 'piggy-back' arrangement. An ejector strap (8) is sewn onto the front wall of each magazine compartment to simplify magazine removal. A pencil flare (13) pocket is sewn onto the left side wall of the magazine pouch (7).

6. A grenade pouch (10 and 11) is sewn onto the main panel (1) on each side of the magazine pouches (7). The pouch (10), on the wearer's right, is large enough to stow a phosphorous or smoke grenade. The pouch (11), on the wearer's left, is smaller and suitable for carrying an M26 grenade.

7. The compass pouch (12) is sewn onto the main panel (1) and positioned just above the standard grenade pouch (11).

8. Each pouch is fitted with a flap (9) which is sewn onto the main panel (1), above the pouches. The flaps (9) are fastened in position, over the pouches, by pile fasteners (9a and 9b), sewn onto the inside of the flap (9) and the outside of the pouch.

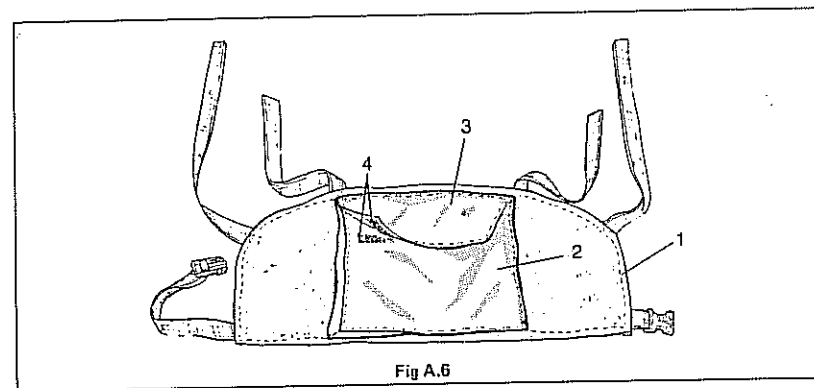


Fig A.6

BEPERK/RESTRICTED

- | | |
|---------------|------------------|
| 1. Hoofpaneel | 3. Klap |
| 2. Kaarttas | 4. Insteekknippe |

9. 'n Kaarttas (2) en 'n klap (3) (Fig A.6) is vasgewerk op die binnekant van die hoofpaneel (1) om 'n gerieflike bēreplek vir kaarte en plat voorwerpe te voorsien. Vroulike- en manlike knippe (4) word aan die binnekant van die klap (3) en aan die buitekant van die kaarttas (2) vasgewerk om die klap oor die kaarttas in posisie te hou.

OPERASIONELE GEBRUIK

10. Die borsseiluitrusting is spesifiek ontwerp om te verseker dat die draer volle beweglikheid behou as hy 'n klein voorraad ammunisie dra (d.w.s ses R4 35-skoot-magasyne of ses R1 20-skoot-magasyne en twee granate), binne 'n beperkte afstand van logistieke steun.

11. Die borsseiluitrusting is ontwerp om met die rug-sak gedra te word en vergroot die operasionele afstand van die draer dus aansienlik.

- | | |
|---------------|-------------------|
| 1. Main Panel | 3. Flap |
| 2. Map Pocket | 4. Pile Fasteners |

9. A map pocket (2) and a flap (3) (Fig A.6) are sewn onto the inside of the main panel (1) to provide a convenient stowage place for maps and other flat objects. Male and female pile fasteners (4) are sewn onto the inside of the flap (3) and the outside of the map pocket (2) to retain the flap in position over the map pocket.

OPERATIONAL USE

10. The breast pouch is specifically designed to ensure that the wearer retains full mobility when carrying a small supply of ammunition (ie, six R4 35-round magazines or six R1 20-round magazines and two grenades), within a limited range of logistical support.

11. The breast pouch is designed to be worn with the field pack and thus considerably increases the operational range of the wearer.

**AFDELING A/1 - HOOFSTUK 3
GEVEGSBAADJIE**

ALGEMENE BESKRYWING

Inleiding

1. Die gevegsbaadjie voorsien personeel van 'n aantal sakke wat vir 'n verskeidenheid doeleindes gebruik kan word, om by die besondere behoeftes van die draer te pas. Die rangskikking van die sakke is sodanig dat die draer se beweglikheid nie belemmer word nie ten spyte van die groot aantal items wat die draer in die sakke kan pak.

2. Om draergerief en aanpasbaarheid by draerliggaamsgroottes en -vorm te verseker, word die baadjie in drie maklik skeibare panele vervaardig wat aan mekaar vasgemaak word deur versteltype gespes en vasmaakbande. Die agterdeel (juk) van die baadjie is Y-vormig en ontwerp om aan die twee L-vormige (een 'n spieëlbeeld van die ander) voorpanele van die baadjie vasgemaak te word.

JUKDEEL

**SECTION A/1 - CHAPTER 3
AMMUNITION CARRYING VEST**

GENERAL DESCRIPTION

Introduction

1. The ammunition carrying vest provides personnel with a number of pouches, which can be used for a variety of purposes, to suit the particular needs of the wearer. The arrangement of the pouches is such that wearer mobility is not impaired despite the large number of items which the wearer is able to pack into the pouches.

2. To ensure wearer comfort and adaptability to wearer body size and shape the vest is manufactured in three, easily-separable panels which are attached to each other by adjustment type buckles and attachment straps. The rear part (yoke) of the vest is Y-shaped and is designed to be attached to the two L-shaped (one being a mirror image of the other) front panels of the vest.

YOKE

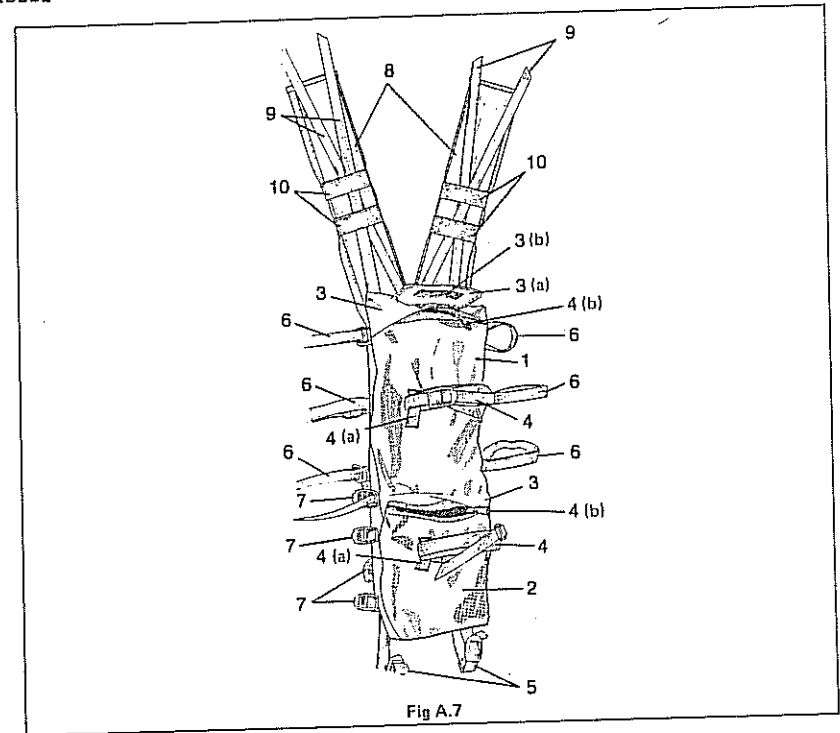


Fig A.7

BEPERK/RESTRICTED

- | | |
|------------------------|--------------------|
| 1. Bosak | 4(b). Ritsluiter |
| 2. Ondersak | 5. Grondseilbande |
| 3. Klap | 6. Mortierbombande |
| 3(a). Radiotoegangklap | 7. Syvasmaakgespe |
| 3(b). Insteekknip | 8. Skouerbande |
| 4. Slaapsakbande | 9. Vasmaakbande |
| 4(a). Lusse | 10. Borgbande |

Juk

3. Die juk (Fig A.7) is voorsien van 'n bosak (1) wat gebruik kan word vir 'n 2-liter-waterbottel of 'n A52/A53-veldradio. Toegang tot die kontrole van die radio kan via 'n klap (3a) verkry word wat deur insteekknippe (3b) in plek gehou word. Die ondersak (2) kan gebruik word om rantsone te bêre.

4. Toegang tot die bo- en ondersakke (1 en 2) kan via ritsluiters (4b) verkry word wat onder deklappe (3) geleë is. Twee vasmaakbande (4) wat in posisie gehou word deur lusse (4a) vasgewerk aan die agterkant van bo- en ondersakke (1 en 2), kan gebruik word om 'n opgerolde slaapsak te bevestig. Twee borgbande (5), wat onderaan die ondersak (2) vasgewerk is, kan gebruik word om 'n opgerolde grondseil of 'n veeldoelskuifing of 'n natweerpak te bevestig.

5. Die skouerbande (8) is aan die bokant van die voorpaneel vas, en is deur twee vasmaakbande (9) in posisie vasgemaak. Albei vasmaakbande (9) is gerangskik sodat hulle mekaar kruis. Hierdie rangskikking plus twee rekbande (10) hou die twee vasmaakbande (9) in die korrekte posisie.

6. Vier vasmaakgespes (7) aan elke kant van die ondersak (2), word gebruik om die onderdeel van die juk aan die linker- en regterpaneel van die onderbaadjie vas te heg. Drie vasmaakbande (6), wat aan elke kant van die bosak (1) vasgewerk is, word gebruik om twee (een aan elke kant) mortierbomme te bevestig. Die twee boonste vasmaakbande word om die mortierbom, net onder die vinne, vasgemaak.

- | | |
|-------------------------|---------------------------|
| 1. Upper Pouch | 5. Groundsheet Straps |
| 2. Lower Pouch | 6. Mortar Bomb Straps |
| 3. Flap | 7. Side Attachment Buckle |
| 3(a). Radio Access Flap | 8. Shoulder Straps |
| 3(b). Pile Fastener | 9. Attachment Straps |
| 4. Sleeping Bag Straps | 10. Retaining Bands |
| 4(a). Loops | |
| 4(b). Zip Fastener | |

Yoke

3. The yoke (Fig A.7) is fitted with an upper pouch (1) which can be used for packing a 2 litre water bottle or an A52/A53 field radio. Access to the controls of the radio can be gained, via a flap (3a) which is secured in place by pile fasteners (3b). The lower pouch (2) can be used to stow rations.

4. Access to the upper and lower pouches (1 and 2) can be gained via zip fasteners (4b) located beneath covering flaps (3). Two securing straps (4), retained in position by loops (4a) sewn to the back of the upper and lower pouches (1 and 2), can be used to secure a rolled-up sleeping bag. Two securing straps (5), sewn to the bottom of the lower pouch (2) can be used for securing a rolled-up groundsheet or a multi-purpose shelter or a wet weather suit.

5. The shoulder straps (8) are attached to the top of the front panels, and fastened in position by two attachment straps (9). Both attachment straps (9) are arranged so that they crossover. This arrangement plus two elastic type bands (10) retains the two attachment straps (9) in the correct position.

6. Four attachment buckles (7) on each side of the lower pouch (2), are used to attach the lower part of the yoke to right and left front panels of the vest. Three securing straps (6), sewn to each side of the upper pouch (1), are used to secure two (one each side) mortar bombs. The two upper securing straps are fastened around the mortar bomb, just below the fins.

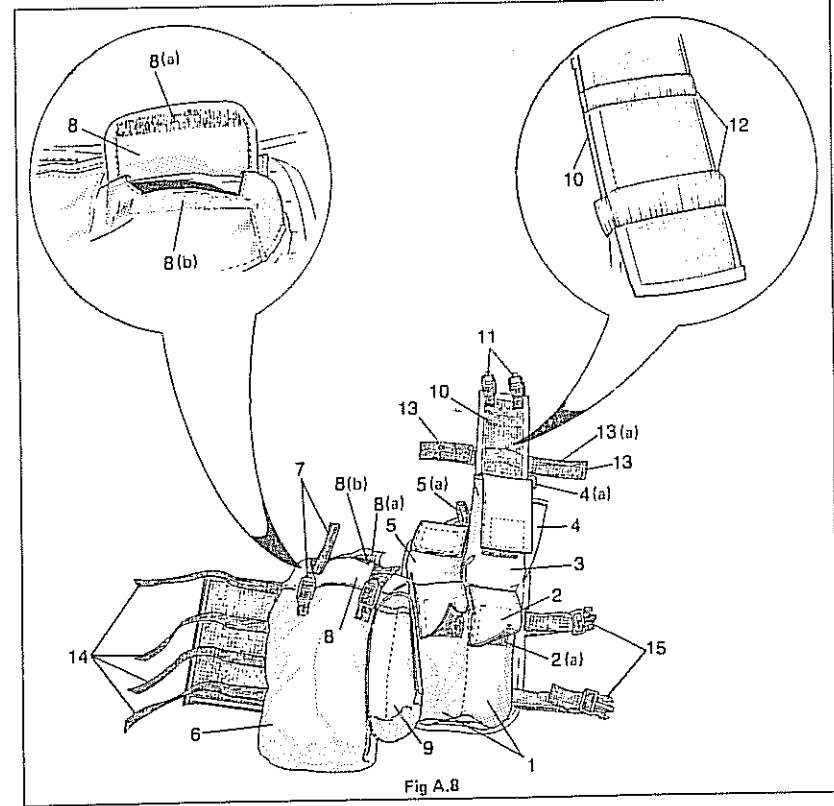


Fig A.8

- | | | | |
|-----------------------|----------------------|--|--------------------------|
| 1. Twee Granaattasse: | 8. Klap | 1. Two Grenade Pouches | 8. Flap |
| 2. Klap | 8(a). Insteekknip | 2. Flap | 8(a). Pile Fastener |
| 2(a). Insteekknip | 8(b). Insteekknip | 2(a). Pile Fastener | 8(b). Pile Fastener |
| 3. Magasyntas | 9. Magasyntas | 3. Magazine Pouch | 9. Magazine Pouch |
| 4. Seinwerper-tas | 10. Skouerband | 4. Pencil Flare | 10. Shoulder Strap |
| 4(a). Lus | 11. Gespe | 4. Projector Pocket | 11. Buckle |
| 5. Kompastas | 12. Borgband | 4(a). Loop | 12. Retaining Strap |
| 5(a). Lus | 13. Bevestigingsband | 5. Compass Pouch | 13. Securing Strap |
| 6. Waterbottelsak | 13(a). Insteekknip | 5(a). Loop | 13(a). Pile Fastener |
| 7. Band en Gespe | 14. Vasmaakband | 6. Water Bottle Pouch Strap and Buckle | 14. Attachment Strap |
| | 15. Snellosgespe | | 15. Quick-Release Buckle |

BEPERK/RESTRICTED

Regtervoorpaneel

7. Die regtervoorpaneel (Fig A.8) is toegerus met twee granaattasse (fosfor-, rook- of M26-tipes) (1) wat met klappe (2) toegemaak is. Elke klap (2) word in posisie vasgemaak met insteekknippe (2a). Bokant die granaattasse (2) is 'n magasynentas (3) waarin twee R4 35-skoot-magasyne (of R1 20-skoot-magasyne) gepak kan word. 'n Klein sakkie (4) wat voor op die magasynentas (3) vasgemaak is, kan gebruik word om 'n 15 mm-seinwerper te hou. 'n Fakkelsak (4) gehou word.

8. Agter die magasynentas (3) is 'n klein tassie (5) wat gebruik kan word om 'n M26-granaat of kompas of 'n veldverband te hou. As 'n kompas in die tassie (5) gehou word, kan die kompastou aan die lus (5a) agter die magasynentas (3) en bo die kompassak (5) vasgebind word.

9. Die sak (6) agter die granaattas (1) kan gebruik word om 'n waterbottel (2-liter) of 'n A52/A53-veldradio te hou. Toegang tot die kontrole kan verkry word via 'n klap (8a) wat in posisie vasgemaak word deur insteekknippe (8b). Die klap (8) vir die sak (6) word met 'n band en gespe (7) vasgemaak. As 'n radio in die sak (6) gedra word, kan die handstuk met 'n tweestuk-vashegband (13) toegerus met insteekknippe (13a) aan die skouerband (10) vasgemaak word.

10. 'n Magasynentas (9) is op die voorkant van die waterbottel/radiosak (6) vasgemaak en kan gebruik word om twee R4 35-skoot-magasyne (of R1-20-skoot-magasyne) te hou. Die twee magasynentasse (3 en 9) en die kompassak (5) word met klappe bedek wat met insteekknippe in posisie vasgemaak word.

11. Die skouerbande van die juk (kyk Fig A.7) is aangebring onder die skouerbande (10) van die voorpaneel en word met twee borgbande (12) in posisie gehou. Vier vasmaakbande (14) agter die waterbottel/radiosak (6) word gebruik om die regtervoorpaneel aan die juk vas te maak (kyk Fig A.7) via vier gespes aan die regterkant van die ondersak van die juk.

12. Die twee verstelbare, snellosespes (15) voor die granaattasse (1) word gebruik om die onderbaadjie aan die voorkant vas te maak.

Right Front Panel

7. The right front panel (Fig A.8) is fitted with two grenade pouches (phosphorous, smoke or M26 types) (1), which are enclosed by flaps (2). Each flap (2) is fastened in position by pile fasteners (2a). Above the grenade pouches (2) is a magazine pouch (3) in which two R4 35-round magazines (or R1 20-round magazines) can be packed. A small pocket (4), sewn to the front of the magazine pouch (3), can be used to pack a 15 mm pencil flare projector. A flare lanyard can be attached to the loop (4a), just above the flare pocket (4).

8. Behind the magazine pouch (3) is a small pouch (5) which can be used to pack an M26 grenade or compass or a field dressing. When a compass is contained in the pouch (5) the compass lanyard can be tied to the loop (5a) to the rear of the magazine pouch (3) and above the compass pouch (5).

9. The pouch (6) to the rear of the grenade pouch (1) can be used to pack a 2 litre water bottle or an A52/A53 field radio. Access to the controls of the radio can be gained via a flap (8a) which is secured in place by pile fasteners (8b). The flap (8) for the pouch (6) is fastened by a strap and buckle (7). When a radio is carried in the pouch (6) the handpiece can be secured to the shoulder strap (10) by a two-piece securing strap (13) fitted with pile fasteners (13a).

10. A magazine pouch (9) is sewn onto the front of the water bottle/radio pouch (6) and can be used to pack two R4 35-round magazines (or R1 20-round magazines). The two magazine pouches (3 and 9) and the compass pouch (5) are enclosed by flaps which are fastened in position by pile fasteners.

11. The shoulder straps of the yoke (refer Fig A.7) are fitted under the shoulder straps (10) of the front panels and retained in position by two retaining straps (12). Four attachment straps (14), to the rear of the water bottle/radio pouch (6), are used to attach the right front panel to the yoke (refer Fig A.7) via four buckles on the right side of the lower pouch of the yoke.

12. The two adjustable, quick-release buckles (15) in front of the grenade pouches (1) are used to secure the vest together at the front.

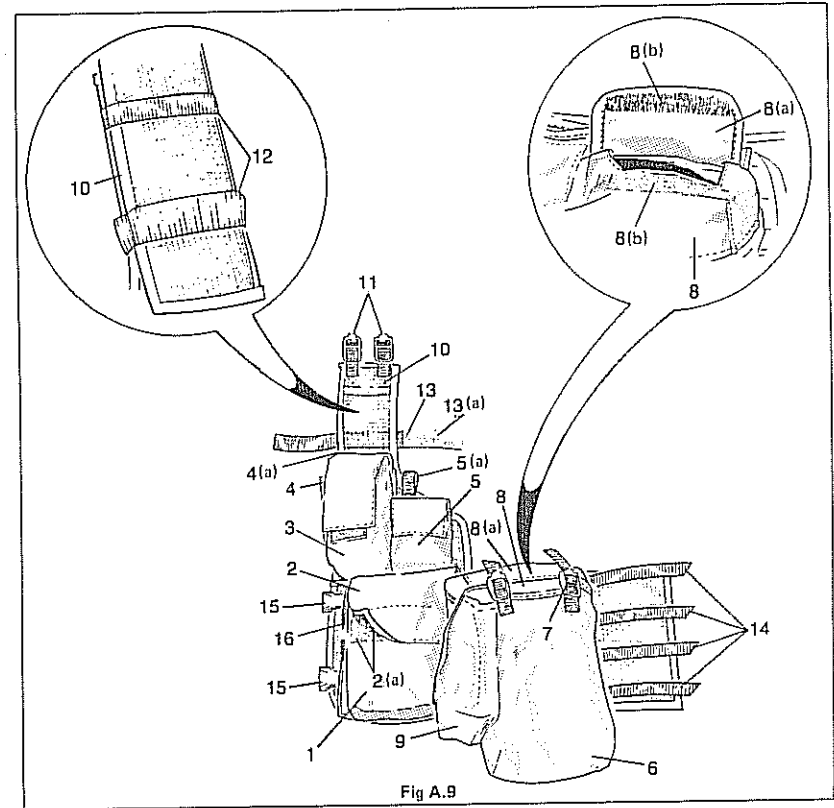


Fig A.9

- | | | | |
|------------------------|----------------------|----------------------------------|--------------------------|
| 1. Verkyker/Granaattas | 8. Klap | 1. Binocular/Grenade Pouch | 8(a). Flap |
| 2. Klap | 8(a). Klap | 2. Flap | 8(b). Pile Fasteners |
| 2(a). Insteekknippe | 8(b). Insteekknippe | 2(a). Pile Fasteners | 9. Magazine Pouch |
| 3. Magasynentas | 9. Magasynentas | 3. Magazine Pouch | 10. Shoulder Strap |
| 4. Seinwerper | 10. Skouerband | 4. Pencil Flare Projector Pocket | 11. Buckle |
| | 11. Gespe | | 12. Retaining Strap |
| | 12. Borgband | | 13. Securing Strap |
| 4(a). Lus | 13. Bevestigingsband | 4(a). Loop | 13(a). Pile Fasteners |
| 5. Kompassak | 13(a). Insteekknippe | 5. Compass Pouch | 14. Attachment Strap |
| 5(a). Lus | 14. Vasmaakband | 5(a). Loop | 15. Quick-Release Buckle |
| 6. Waterbottelsak | 15. Snellosespes | 6. Water Bottle Pouch | 16. Map Pocket |
| 7. Band en Gespe | 16. Kaartsak | 7. Strap and Buckle | |
| | | 8. Flap | |

Linkervoorpaneel

13. Die linkervoorpaneel (Fig A.9) is 'n spieëlbeeld van die regtervoorpaneel (kyk Fig A.8) behalwe vir die volgende belangrike verskille:

- a. Die ondervoorsak (1) kan gebruik word om 'n verkyker of 'n paar granaate te hou.

Left Front Panel

13. The left front panel (Fig A.9) is a mirror image of the right front panel (refer Fig A.8) except for the following main differences:

- a. The lower front pouch (1) can be used for stowing a pair of binoculars or grenades.

b. 'n Kaartsak is op die onderste gedeelte aangebring en toegang word via 'n gleuftipe opening (16) voor verkry. Alle plat items word in hierdie sak gebêre.

OPERASIONELE GEBRUIK

14. Die gevegsbaadjie is spesiaal ontwerp om te verseker dat die draer volle beweeglikheid behou as hy 'n verskeidenheid ammunisie, kos- en waterrantsoene dra, sonder om die rugsak te gebruik.

b. A map pocket is fitted into the lower area and access is gained via a slot type opening (16) at the front. All flat items can be stowed in this pocket.

OPERATIONAL USE

14. The ammunition carrying vest is specially designed to ensure that the wearer retains full mobility when carrying a variety of ammunition, food and water rations, without using the field pack.

'AFDELING A/1 - HOOFSTUK 4

RUGSAK

ALGEMENE BESKRYWING

Inleiding

1. Die rugsak is ontwerp om 'n groot draervermoë te verskaf en dit is hoofsaaklik bedoel vir operasies wat oor lang tydperke strek met min of geen logistieksteun.
2. Een van die ontwerpdoelwitte is draergerief. Om hierdie doelwit te bereik, is die rugsak om 'n rusperraam (1) gebou wat by die kontoere van die draer se skouers en rug aanpas terwyl dit terselfdertyd 'n kussing tussen die las en die draer se liggaam voorsien.

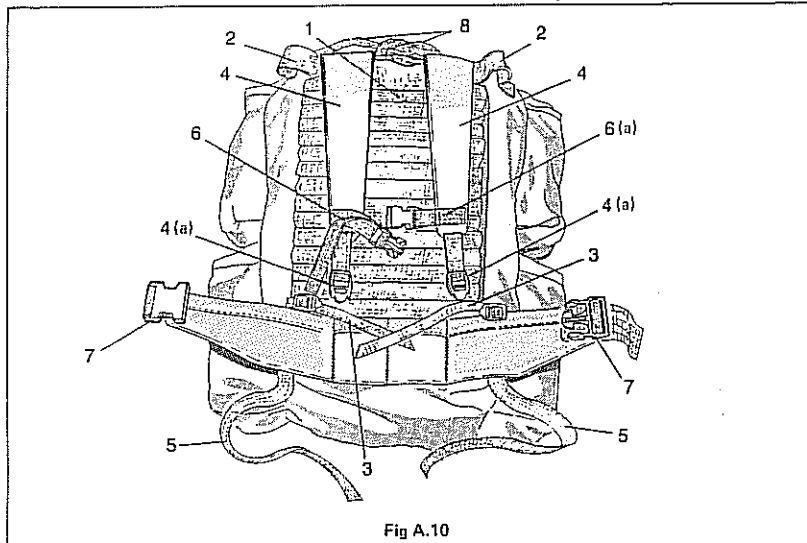


Fig A.10

- | | | | |
|-------------------------------|-------------------------|--------------------------------|---------------------------|
| 1. Rusperraam | 5. Vasmaakbande | 1. Caterpillar Frame | 5. Attachment Straps |
| 2. Staafraamlusse | 6. Verstelbare Borsband | 2. Steel Frame Loops | 6. Adjustable Chest Strap |
| 3. Staafraambevestigingsbande | 6(a). Borsband | 3. Steel Frame Securing Straps | 6(a). Chest Strap |
| 4. Skouerbande | 7. Snellosgespe | 4. Shoulder Straps | 7. Quick-Release Buckle |
| 4(a). Gespe | 8. Valskermoldaatbande | 4(a). Buckle | 8. Paratrooper Straps |

Steunraam

3. Die ruspersteunraam (1) (Fig A.10) is gemaak van sintetiese stof wat horisontaal gesoom is en met worsvormige skuimmateriaal gepak is.

Support Frame

3. The caterpillar support frame (1) (Fig A.10) is constructed from synthetic fabric which is horizontally seamed and packed with sausage-shaped foam material.

A18

SECTION A/1 - CHAPTER 4

FIELD PACK

GENERAL DESCRIPTION

Introduction

1. The field pack is designed to provide a large carrying capacity and is intended primarily for operations extending over long periods with little or no logistical support.
2. One of the design objectives is wearer comfort. To achieve this objective, the field pack is constructed around a caterpillar frame (1) which adapts to the contours of the wearer's shoulders and back while, at the same time, provides a cushion between the load and the wearer's body.

4. Vir gebruike waar 'n stywe steunraam nodig is, kan die rugsak op 'n staafraam wat in Hoofstuk 5 beskryf word, gemonteer word. Om die rugsak op die staafraam te monteer, is twee breë lusse (2) aan die boonste sye van die rusperraam (1) vasgewerk om dit moontlik te maak om die rugsak aan die onderste deel van die staafraam te bevestig. Die metode waarvolgens die rugsak op die staafraam gemonteer word, is volledig in Hoofstuk 4 van Afdeling A/2 beskryf.

5. Die skouerbande (4) is goed opgestop en breed genoeg om skaaf- en draergerief tot 'n minimum te beperk. Die skouervasmaakbande (5) is met 'n gespe (4a) aan die skouerbande (4) vas, wat dit moontlik maak om die lengte van die vasmaakbande (5) te verstel om die draer se liggaamsbou te pas.

6. Om te voorkom dat die skouerbande (4) van mekaar wegtrek, is 'n borsband (6) aan die onderste deel van die skouerbande (4) vasgewerk. 'n Snellosknip (7) maak dit moontlik om die twee helftes van die borsband (6 en 6a) aan mekaar te koppel. Die borsband (6) wat aan die linkerskouerband vas is, word so op die inpassnellosknip gelus dat die lengte van die borsband (6) verstel kan word.

7. Twee bande (8) word aan die bokant van die rusperraam (1) vasgewerk by dieselfde punt waar die skouerbande (4) aangeheg is. Vir normale diensgebruik word die twee bande (8) saamgebind (soos in Fig A.10 getoon) en as 'n drahandvatsel gebruik. Dit is gebiedend noodsaaklik dat die punte van hierdie bande nie afgesny moet word nie, aangesien die bande bedoel is om 'n ander doel te dien (d.w.s. gebruik deur valskermoldate) wat in Hoofstuk 3 van Afdeling A/2 beskryf is.

4. For uses where a stiff support frame is required, the field pack can be mounted on a steel frame which is described in Chapter 5. For the purpose of mounting the field pack on the steel frame, two wide loops (2) are sewn onto the upper sides of the caterpillar frame (1). Two securing straps (3) are sewn onto the lower sides of the caterpillar frame (1) to enable the field pack to be secured to the lower part of the steel frame. The method of mounting the field pack on the steel frame is fully described in Chapter 4 of Section A/2.

5. The shoulder straps (4) are well padded and of sufficient width to minimise chafing and wearer discomfort. The shoulder attachment straps (5) are attached to the shoulder straps (4) by a buckle (4a), which enables the length of the attachment straps (5) to be adjusted to suit the wearer's physique.

6. To prevent the shoulder straps (4) from spreading apart, a chest strap (6) is sewn onto the lower part of the shoulder straps (4). A quick-release fastener (7) enables the two halves of the chest strap (6 and 6a) to be coupled together. The chest strap (6), attached to the left shoulder strap, is looped onto the male quick-release fastener in such a way that the length of the chest strap (6) can be adjusted.

7. Two straps (8) are sewn onto the top of the caterpillar frame (1) at the same point where the shoulder straps (4) are attached. For normal service use, the two straps (8) are tied together (as shown in Fig A.10) and used as a carrying handle. It is imperative that the ends of these straps are not cut off, since the straps are intended to serve another purpose (ie, use by paratroopers) described in Chapter 3 of Section A/2.

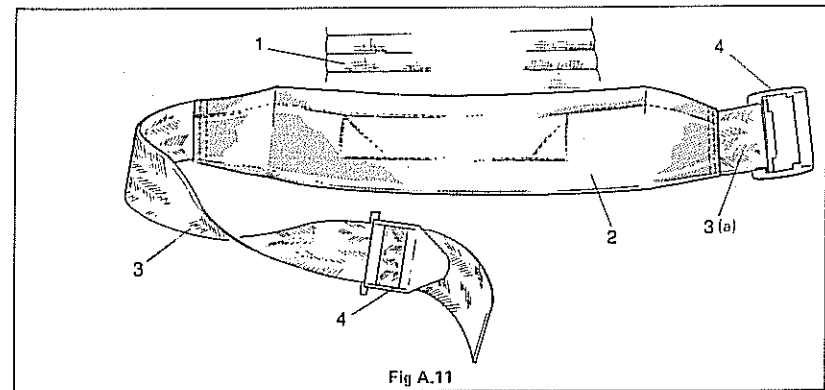


Fig A.11

- | | | | |
|---------------------------|------------------|-------------------------------|-------------------------|
| 1. Rusperraam | 3(a). Middelband | 1. Caterpillar Frame | 3(a). Waistband Strap |
| 2. Middelband | 4. Snellosgespe | 2. Waistband | 4. Quick-Release Buckle |
| 3. Verstelbare Middelband | | 3. Adjustable Waistband Strap | |

A19

Middelband

8. Die rugsakmiddelband (2) (Fig A.11) is aan die onderste deel van die rusperraam (1) vasgewerk en is spesifiek ontwerp om die gewig van die las wat in die rugsak gedra word na die draer se heupe (en dus na die bene) te verskuif.

9. Middelbandvasmaakbande (3 en 3a) is aan die punte van die middelband (2) vasgewerk. 'n Vroulike snellosknip is by die punt van die linkervasmaakband (3a) aangebring. 'n Manlike snellosknip (4) is op so 'n manier aan die regtervasmaakstroep (3) gelus dat die lengte van die band (3) verstel kan word om die draer se liggaamsbou te pas.

Hoofbêresakke

10. Die twee hoofbêresakke (1 en 2) (Fig A.12) is sakvormig en op die rusperraam vasgewerk. Albei sakke is van 'n sintetiese stof gemaak.

Waistband

8. The field pack waistband (2) (Fig A.11) is sewn onto the lower part of the caterpillar frame (1), and is specifically designed to transfer the weight of the load carried in the field pack to the wearer's hips (and hence onto the legs).

9. Waistband attachment straps (3 and 3a) are sewn onto the ends of the waistband (2). A female quick-release fastener is fitted onto the end of the left attachment strap (3a). A male quick-release fastener (4) is looped onto the right attachment strap (3) in such a way that the length of the strap (3) can be adjusted to suit the wearer's physique.

Main Storage Pouches

10. The two main storage pouches (1 and 2) (Fig A.12) are bag-shaped and sewn onto the caterpillar frame. Both pouches are constructed from a synthetic fabric.

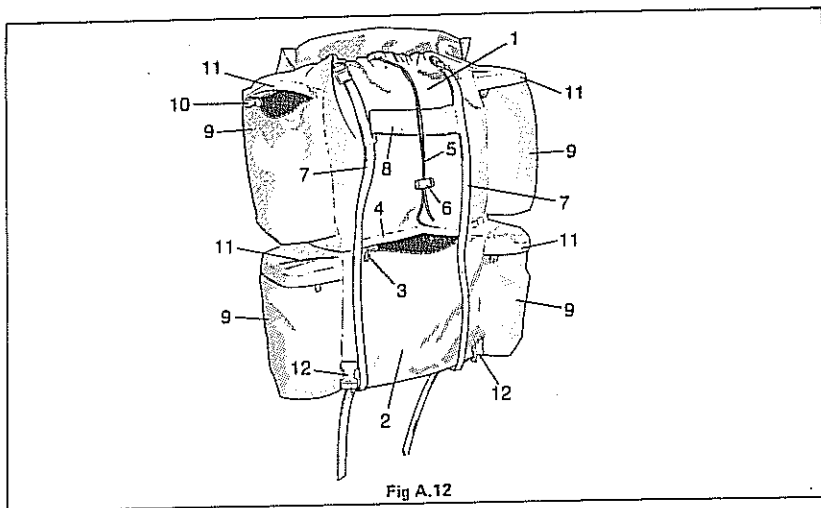


Fig A.12

- | | | | |
|------------------------------|----------------------------|---------------------------------|------------------------------------|
| 1. Bosak | 8. Oopmaakband | 1. Upper Pouch | 8. Opener Strap |
| 2. Ondersak | 9. Waterbottelsak | 2. Lower Pouch | 9. Water Bottle Pouch |
| 3. Ritssluiters | 10. Ritssluiters | 3. Zip Fastener | 10. Zip Fastener |
| 4. Klap | 11. Klap | 4. Flap | 11. Flap |
| 5. Trekkoord | 12. Vroulike Snellosknippe | 5. Draw Cord | 12. Female Quick-Release Fasteners |
| 6. Dwarspen | | 6. Toggle | |
| 7. Slaapsakbevestigingsbande | | 7. Sleeping Bag Securing Straps | |

11. 'n Trekkoord (5) is op die bosak (1) aangebring, en loop deur 'n soom bo aan die bosak. 'n Lasdruktipe dwarspen (6) gly met die trekkoord (5) af en voorkom dat die koord loskom.

11. The upper pouch (1) is fitted with a draw cord (5), which is located in a hem at the top of the upper pouch. A press-to-release type toggle (6) slides along the draw cord (5) and prevents the cord from loosening.

12. Twee slaapsakvasmaakbande (7) en 'n oopmaakband (8) is agter op die bosak (1) vasgewerk. Die oopmaakband (8) word saam met die drabande gebruik (kyk Fig A.10) om die bosak (1) oop te maak.

13. Toegang tot die ondersak (2) word via 'n ritssluiters (3) verkry wat die volle breedte van die opening vir die ondersak loop. 'n Klap (4) pas oor die ritssluiters (3) en voorkom die binnedringing van vog deur die ruspers van die knip (3). As die ritssluiters (3) toegemaak word, word die bo- en ondersakke (1 en 2) saamgevoeg om 'n kompakte eenheid te vorm.

14. Waterbottelsakke (9) is aan die kante van die bo- en ondersakke (1 en 2) vasgewerk. Elke sak (9) is groot genoeg om 'n 2-liter-waterbottel te dra. Toegang tot elke waterbottelsak (9) word verkry via 'n ritssluiters (10). 'n Klap (12) pas oor die ritssluiters (10) en voorkom dat vog deur die ruspers van die ritssluiters binnedring.

15. Daar word sterk aanbeveel dat slegs ligte items soos klere in die bosak (1) gebêre word, en dat alle swaar items soos ammunisie en rantsone in die ondersak (2) gebêre word. Hierdie rangskikking sal verseker dat die gewig van die swaar items nie op die draer se rug rus nie en dus moegheid tydens lang operasies verminder.

16. Mits alle items wat in die rugsak se sakke gedra word korrek versprei word soos in Paragraaf 15 genoem is, kan die totale gewig wat in die rugsak gedra word soveel soos 35 kg wees alhoewel 'n laer gewig (20 kg of minder) vir lang tydperke aanbeveel word.

Dekklap

17. Die dekklap (1) (Fig A.13) is gevorm om oor die bosak en die grootste gedeelte van die ondersak te pas. Die dekklap word met twee bevestigingsbande (2), wat in die lengte oor die buitekant van die dekklap loop, in posisie gehou. Elke bevestigingsband word met twee lusse (4) wat op die buitekant van die dekklap (1) vasgewerk is, in posisie gehou. 'n Verstelbare manlike snellosgespes (3) is by die vry punte van die bevestigingsbande (2) aangebring en maak dit moontlik om die lengte van die bevestigingsbande te verstel. Die manlike gespes (3) koppel met ooreenstemmende vroulike gespes wat onder aan die ondersak vas is (kyk item 12, Fig A.12).

12. Two sleeping bag securing straps (7) and an opener strap (8) are sewn onto the back of the upper pouch (1). The opener strap (8) is used in conjunction with the carrying straps (refer Fig A.10) to open the top pouch (1).

13. Access to the lower pouch (2) is gained via a zip fastener (3) which travels the full width of the opening for the lower pouch. A flap (4) fits over the zip fastener (3) and prevents ingress of moisture through the tracks of the fastener (3). When the zip fastener (3) is closed, the upper and lower pouches (1 and 2) are joined together to form one compact unit.

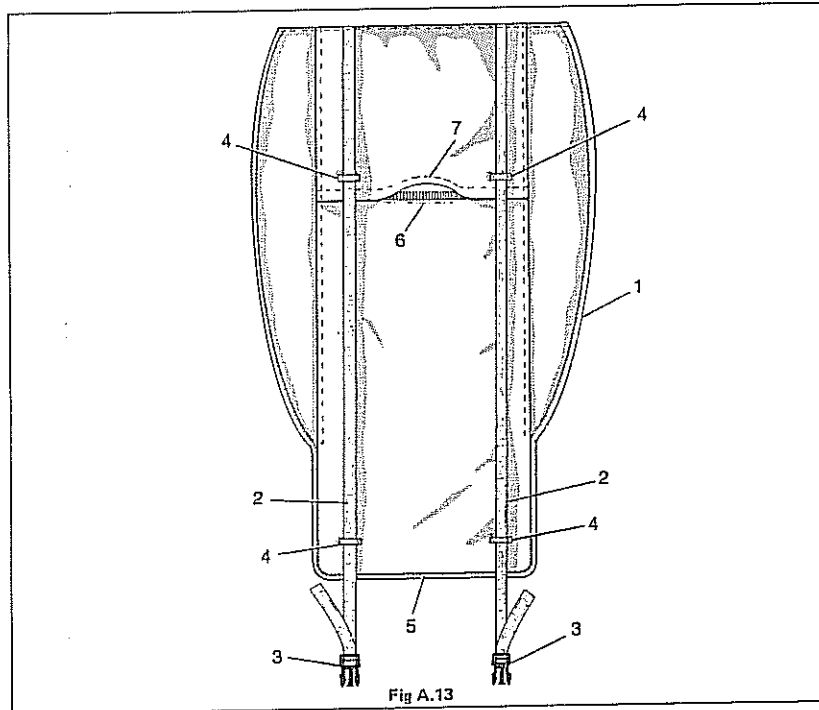
14. Water bottle pouches (9) are sewn onto the sides of the upper and lower pouches (1 and 2). Each pouch (9) is large enough to carry a 2 litre water bottle. Access to each water bottle pouch (9) is gained via a zip fastener (10). A flap (12) fits over the zip fastener (10) and prevents the ingress of moisture through the tracks of the fastener.

15. It is strongly recommended that only light items such as clothes are stowed in the upper pouch (1), and all heavy items such as ammunition and rations are stowed in the lower pouch (2). This arrangement will ensure that the weight of the heavy items is not resting on the wearer's back and thus reduces fatigue during long operations.

16. Provided that all items carried in the field pack pouches are correctly distributed as mentioned in Paragraph 15, overall weight carried in the field pack can be as much as 35 kg although a lower weight (20 kg or less) is recommended for long periods.

Cover Flap

17. The cover flap (1) (Fig A.13) is shaped to fit over the upper pouch and most of the lower pouch. The cover flap (1) is secured in position by two securing straps (2), which run lengthways down the outside of the cover flap. Each securing strap is held in position by two loops (4), sewn onto the outside of the cover flap (1). A male adjustable, quick-release buckle (3) is fitted to the free ends of the securing straps (2) and thus enables the length of the securing straps to be adjusted. The male buckles (3) couple to corresponding female buckles, attached to the bottom of the lower pouch (refer item 12, Fig A.12).



- | | | | |
|--|-----------------|---|-----------------|
| 1. Dekklap | 4. Lusse | 1. Cover Flap | 4. Loops |
| 2. Bevestigingsbande | 5. Kaartsak | 2. Securing Straps | 5. Map Pocket |
| 3. Verstelbare Snel-
losgespes (Manlik) | 6. Ritssluiters | 3. Adjustable Quick-
Release Buckles
(Male) | 6. Zip Fastener |
| | 7. Klap | | 7. Flap |

18. Die dekklap is so ingerig dat dit ook as 'n groot kaartsak (5) dien om genoeg bergingsruimte te verskaf vir plat items soos kaarte, gradeboë, ens. Toegang tot die kaartsak word verkry via 'n ritssluiters (6) wat oor die volle breedte van die dekklap (1) aangeleg is. 'n Klap (7) pas oor die ritssluiters (6) en voorkom dat vog en water deur die ruspers van die ritssluiters binnedring.

OPERASIONELE GEBRUIK

19. Die rugsak is spesifiek ontwerp om gedra te word met die borsseëluitrusting of gevegsbaadjie.

18. The cover flap is arranged so that it also serves as a large map pocket (5) to provide ample storage space for flat items such as maps, protractors, etc. Access to the map pocket is gained via a zip fastener (6) sewn across the full width of the cover flap (1). A flap (7) fits over the zip fastener (6) and prevents the ingress of moisture and water through the tracks of the fastener.

OPERATIONAL USE

19. The field pack is specifically designed to be worn with the breast pouch or ammunition carrying vest.

AFDELING A/1 - HOOFSTUK 5

STAALRAAMSAMESTEL

ALGEMENE BESKRYWING

1. Die staalraamsamestel (Fig A.14) voorsien 'n liggewig, sterk draaraam wat saam met die rugsak gebruik kan word om ammunisiekarde te dra. Die staalraam is voorsien van opgestopte skouerbande en 'n middelband wat dit moontlik maak om swaar vragte vir kort tydperke of ligter vragte vir lang tydperke te dra, met die minimum ongerief vir die draer.

SECTION A/1 - CHAPTER 5

STEEL FRAME ASSEMBLY

GENERAL DESCRIPTION

1. The steel frame assembly (Fig A.14) provides a light-weight, strong carrying frame which can be used in conjunction with the field pack or for carrying ammunition boxes. The steel frame is fitted with padded shoulder straps and a waistband to enable heavy loads to be carried for short periods or lighter loads for long periods, with minimum discomfort to the wearer.

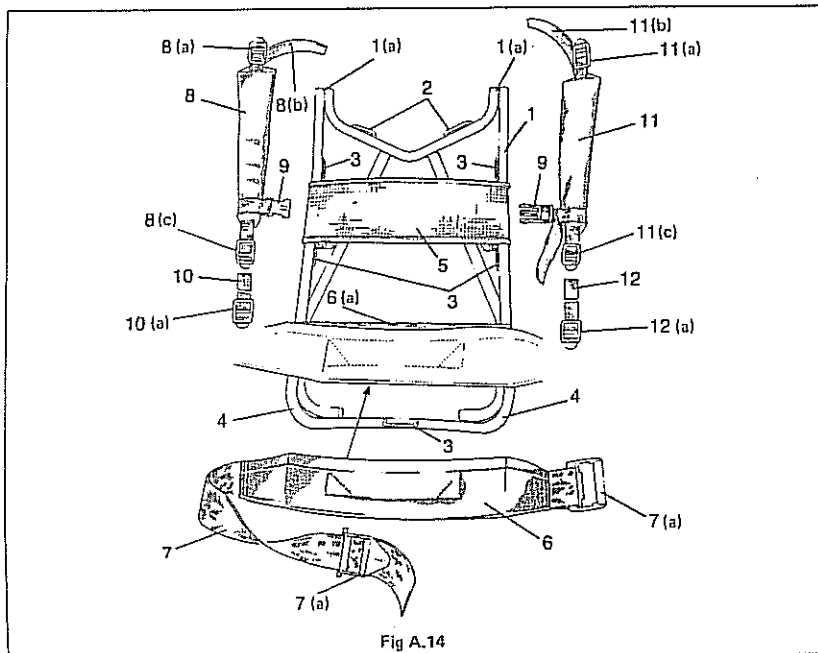


Fig A.14

- | | | | |
|----------------------|----------------------|----------------------------|--------------------------|
| 1. Staalraam | 8(b). Vasmaakband | 1. Steel Frame | 8(a). Attachment Buckle |
| 1(a). Raamhorings | 8(c). Vasmaakgespe | 1(a). Frame Horns | 8(b). Attachment Strap |
| 2. Ore (Skouerband) | 9. Snellosgespe | 2. Lugs (Shoulder Straps) | 8(c). Attachment Buckle |
| 3. Ore (Bevestiging) | 10. Vasmaakband | 3. Lugs (Securing) | 9. Quick-Release Buckle |
| 4. Bandvasmaakpunte | 10(a). Vasmaakgespe | 4. Strap Attachment Points | 10. Attachment Strap |
| 5. Boonste Band | 11. Linkerskouerband | 5. Upper Band | 10(a). Attachment Buckle |
| 6. Middelband | 11(a). Vasmaakgespe | 6. Waistband | 11(a). Attachment Buckle |
| 6(a). Onderste Band | 11(b). Vasmaakband | 6(a). Lower Band | 11(b). Attachment Strap |
| 7. Verstelstrop | 11(c). Vasmaakgespe | 7. Adjustment Strap | 11(c). Attachment Buckle |
| 7(a). Snellosgespe | 12. Vasmaakband | 7(a). Quick-Release Buckle | 12. Attachment Strap |
| 8. Regterskouerband | 12(a). Vasmaakgespe | 8. Right Shoulder Strap | 12(a). Attachment Buckle |
| 8(a). Vasmaakgespe | | | |

2. Die basiese staalraam (1) bestaan uit vier gedeeltes staalbuis wat gevorm is en saamgesweis is om 'n sterk raam te vorm, wat relatief swaar vragte kan ondersteun. Die vorm van die raam is spesifiek ontwerp om gerieflik op die draer se rug te pas, lugsirkulasie tussen die draer en die vrag aan te moedig en om dra-uitrusting te vereenvoudig. Die konstruksie daarvan is sterk en liggewig.

3. Die horings (1a) bo en aan elke sy van die raam is spesiaal gevorm om in twee seilussie, wat bo aan die rugsak vasgewerk is, te pas.

4. Die boonste band (5) word in posisie vasgehou en gespan deur twee driehoekige metaalstutte (kyk Fig A.15) en 'n stuk koord. Die middelband (6) is aan die onderste band vasgewerk (6a) wat op dieselfde wyse as die boonste band (5) in posisie gehou en gespan word. Bevestigingsore (3) wat aan die raamkante vasgesweis is, voorkom dat die boonste band (5) by die buis op- of afgly. Die onderste band (6) loop tussen gleuwe deur wat deur die L-vormige en U-vormige dele van die raam (1) loop, en dit word met hegsweislasse in posisie gehou.

5. Die opgestopte skouerbande (8 en 11) word aan die boogvormige horisontale buis aan die bokant van die raam (1) met vasmaakbande en -gespes (8a, 8b, 11a en 11b) bevestig. Ore (2), wat aan die horisontale buis gesweis is, hou die bande in die korrekte posisie.

6. Die onderste deel van die skouerband (8 en 11) is met twee vasmaakbande (10 en 11) aan die onderste deel van die staalraam bevestig. Elke vasmaakband (10 en 11) is aan elke sy van die onderste deel van die raam in die kromme gleuf (4) aangebring en met die verstelbare gespes (8c en 11c) vasgemaak. Die lengte van die skouerbande kan verstel word deur die posisie van die gespes (8c en 11c) op die vasmaakbande (10 en 12) te verstel.

7. Die gebruik van verstelbare tipe gespes en vasmaakbande vir die skouerbande en die middelband verseker dat die seiluitrusting verstel kan word om die draer se liggewig te pas.

2. The basic steel frame (1) is constructed from four sections of steel tube which are shaped and welded together to form a strong frame, capable of supporting relatively heavy loads. The shape of the frame is specifically designed to fit comfortably on the wearer's back, encourage air circulation between the wearer and the load and to simplify mounting equipment. It is of a strong and lightweight construction.

3. The horns (1a) at the top and on each side of the frame are specially shaped to fit inside two webbing loops, sewn onto the top of the field pack.

4. The upper band (5) is secured in position and tensioned by two triangular-shaped metal bracers (refer Fig A.15) and a length of cord. The waistband (6) is sewn onto the lower band (6a) which is secured in position and tensioned in the same way as the upper band (5). Securing lugs (3) welded to the frame sides prevent the upper band (5) from sliding up or down the tubing. The lower band (6) passes between slots, formed by L-shaped and U-shaped portions of the frame (1), and is retained in position by tack welds.

5. The padded shoulder straps (8 and 11) are secured to the bow-shaped horizontal tube, at the top of the frame (1), by attachment straps and buckles (8a, 8b, 11a and 11b). Lugs (2), welded to the horizontal tube, retain the straps in the correct position.

6. The lower part of the shoulder strap (8 and 11) is secured to the lower part of the steel frame by two attachment straps (10 and 12). Each attachment strap (10 and 12) is fitted to the curved slot (4) on each side of the lower part of the frame and attached by the adjustable buckles (8c and 11c). The length of the shoulder straps can be altered by adjusting the position of the buckles (8c and 11c) on the attachment straps (10 and 12).

7. The use of adjustable type buckles and attachment straps for the shoulder straps and the waistband ensure that the webbing can be adjusted to suit the wearer's physique and hence comfort.

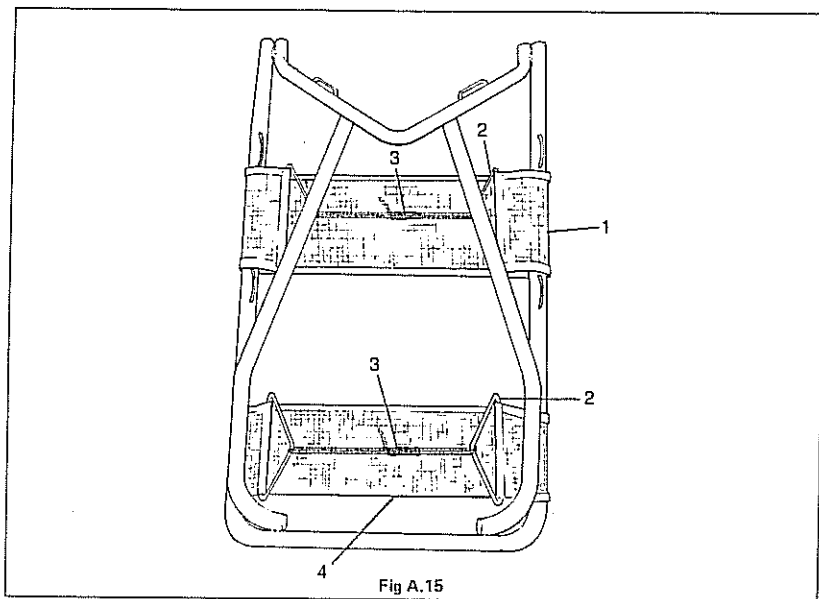


Fig A.15

- | | | | |
|-----------------|------------------|-----------------|---------------|
| 1. Boonste Band | 3. Koord | 1. Upper Band | 3. Cord |
| 2. Metaalstutte | 4. Onderste Band | 2. Metal Bracer | 4. Lower Band |

8. Kyk Fig A.15. Die inrigting van die metaalstutte (2) en koord (3) vereenvoudig die spanning van die boonste en onderste bande. Tydens gebruik aan die begin kan die maasmateriaal waarvan die boonste en onderste bande (1 en 4) gemaak is, weens die spanning op die weef en garings rek. Na die aanvanklike verstewings tydperk sal die spanning op die bande egter dieselfde bly. Dit is noodsaaklik dat die bande weer gespan moet word tydens die aanvangs tydperk, sodat maksimum draergerief verseker word.

8. Refer Fig A.15. The metal bracers (2) and cord (3) arrangement simplifies tensioning of the upper and lower bands. During initial use, the mesh material from which the upper and lower bands (1 and 4) are manufactured may stretch due to the tension on the weave and yarns. However, after the initial setting-in period tension on the bands will be maintained. During the initial period it is essential that the bands are retensioned as necessary to ensure maximum wearer comfort.

OPERASIONELE GEBRUIK

OPERATIONAL USE

9. Die staalraamsamestel is spesifiek ontwerp vir die volgende operasionele gebruike:
- Om 'n sterk steunraam vir die rugsak te voorsien en om goeie sirkulasie van lug tussen die draer se rug en skouers en die veldknapsak te kry.
 - Dit kan 'n landingsplatform voorsien wat saam met die veldknapsak deur valskermsoldate gebruik kan word.
 - Om 'n sterk steunraam te voorsien waarop ammunisie kiste en verskillende tipes vragte gepak kan word en dus op die draer se rug gedra kan word.
9. The steel frame assembly is specifically designed for the following operational uses:
- To provide a strong support frame for the field pack and to encourage a good circulation of air between the wearer's back and shoulders and the field pack.
 - It can provide a landing platform to be used by paratroopers in conjunction with the field pack.
 - To provide a strong support frame on which ammunition boxes and various types of loads can be thus carried on the wearer's back.

AFDELING A/2 - HOOFSTUK 1

BORSSEILUITRUSTING

INLEIDING

1. Hierdie Hoofstuk sit aanbevole prosedures vir samestel, pas en pak van die borsseiluitrusting uiteen om die minimum ongerief vir die draer te verseker en om die gebruik van die uitrusting te optimaliseer.

WAARSKUWING

Die sintetiese stowwe wat gebruik is om die borsak te maak is vlambaar en moet dus nie naby of in aanraking met oop vlamme geplaas word nie.

SAMESTELLINGSPROSEDURE

Bande by Gespes Aangebring

2. Die enigste afhaalbare dele van die borsseiluitrusting is die twee skouerbande, wat elkeen 'n gespe aan die punt het. Die gespe is ontwerp vir maklike samestelling, verstelling, losmaak en om 'n positiewe greep op die vasmaakbande te verseker (d.w.s. minimale gly tussen gespe en vasmaakband).

3. Kyk Fig A.16. Om vasmaakbande aan gespes aan te bring, moet die volgende prosedure gevolg word:

SECTION A/2 - CHAPTER 1

AMMUNITION CARRYING BREAST POUCH

INTRODUCTION

1. This Chapter details recommended procedures for assembling, fitting and packing the ammunition carrying breast pouch to ensure minimal discomfort to the wearer and to optimise the use of the equipment.

WARNING

The synthetic fabrics used in the make-up of the breast pouch are inflammable and therefore, shall not be placed near or in contact with naked flames.

ASSEMBLY PROCEDURE

Fitting Straps to Buckles

2. The only detachable parts of the breast pouch are the two shoulder straps, which are fitted with a buckle at each end of the shoulder straps. The buckles are designed for ease of assembly, adjustment, loosening and to ensure a positive grip on the attachment straps (ie, minimal slippage between buckle and attachment strap).

3. Refer Fig A.16. To fit attachment straps onto buckles, the following procedure should be adopted:

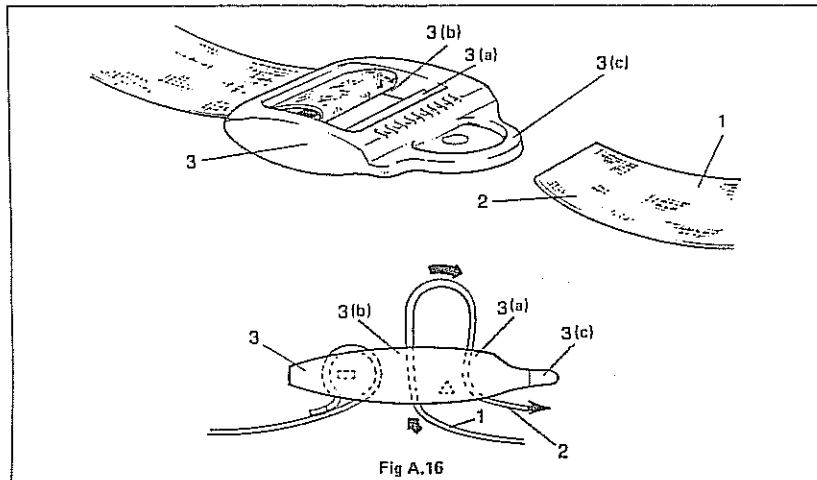


Fig A.16

- | | | | |
|----------------------|------------------|----------------------|----------------|
| 1. Vasmaakband | 3(a). 1ste Gleuf | 1. Attachment Strap | 3(a). 1st Slot |
| 2. Vry Punt van Band | 3(b). 2de Gleuf | 2. Free End of Strap | 3(b). 2nd Slot |
| 3. Gespe | 3(c). Gespelus | 3. Buckle | 3(c). Tab |

- (1) Verseker dat die vasmaakband (1) plat lê en nie gedraal is nie.
- (2) Steek die vry punt (2) van die vasmaakband onder die gespe (3) deur en op deur die tweede gleuf (3b) in die gespe (3).
- (3) Buig die band en steek die vry punt (2) na onder deur die eerste gleuf (3a) in die gespe (3).
- (4) Trek die vry punt (2) van die vasmaakband deur die gespe (3) totdat die lus weg is (kyk volgende Opmerkings).

OPMERKINGS

1. Die lengte van die vasmaakband kan maklik korter gemaak word deur die vry punt te trek totdat die gewenste lengte verkry is.
2. Om die lengte van die vasmaakband groter te maak, trek die gespelus (3c) na buite (d.w.s. weg van die vasmaakband af) en laat die gespe langs die band afskuif.

Vasmaak van Skouerbande

4. Om die skouerbande aan die borsseiluitrusting vas te maak moet die volgende prosedure gevolg word (kyk Fig A.17).

OPMERKING

In die volgende stuk word daar na linker- en regterskouerbande verwys om tussen hulle te onderskei en dus duidelik te maak na watter band verwys word. Let egter op dat daar geen fisiese verskil tussen die bande is nie.

- (1) Ensure that the attachment strap (1) is lying flat and not twisted.
- (2) Pass the free end (2) of the attachment strap under the buckle (3) and up through the second slot (3b) in the buckle (3).
- (3) Bend the strap over and insert the free end (2) downwards through the first slot (3a) in the buckle (3).
- (4) Pull the free end (2) of the attachment strap through the buckle (3) until the loop is eliminated (see following Notes).

NOTES

1. The length of the attachment strap can be easily shortened by pulling the free end until the desired length is obtained.
2. To increase the length of the attachment strap, pull the buckle tab (3c) outwards (ie, away from the attachment strap) and allow the buckle to slide along the strap.

Attaching Shoulder Straps

4. To attach the shoulder straps to the breast pouch, the following procedure should be adopted (refer Fig A.17):

NOTE

In the following text, reference is made to left and right shoulder straps to distinguish between them and thus clarify which strap is being referred to. However, it should be noted that there is no physical difference between both straps.

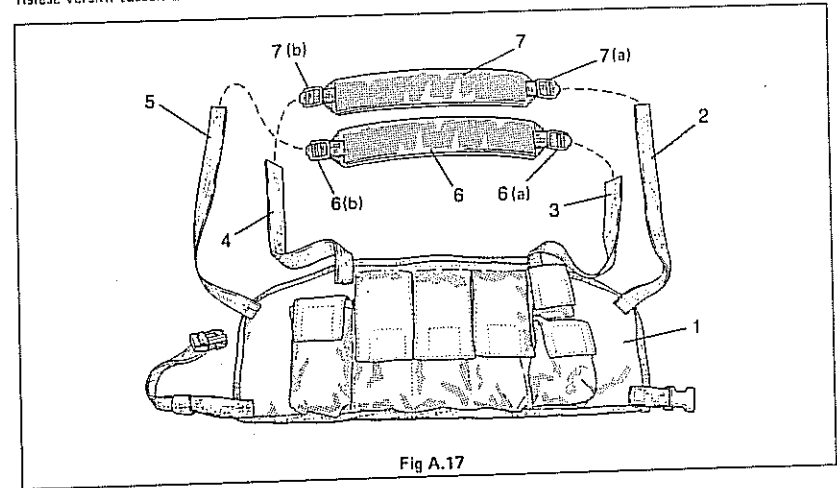


Fig A.17

BEPERK/RESTRICTED

- | | |
|---------------------------|---------------------|
| 1. Borssak | 6. Linkerskouerband |
| 2. Regteragtervasmaakband | 6(a). Gespe |
| 3. Linkervoorvasmaakband | 6(b). Gespe |
| 4. Regtervoorvasmaakband | 7. Regterskouerband |
| 5. Linkeragtervasmaakband | 7(a). Gespe |
| | 7(b). Gespe |

- (1) Plaas die skouerbande (6 en 7) en die bors sak (1) in posisie soos in Fig A.17 getoon word.
- (2) Steek die vry punt van die vasmaakband (5) in die gespe (6b) van die linkerskouerband (6). Kyk paragraaf 5 vir korrekte metode om vasmaakbande op gespes aan te bring.
- (3) Steek die vry punt van vasmaakband (3) in die gespe (6a) van die linkerskouerband (6).
- (4) Steek die vry punt van vasmaakband (2) in die gespe (7a) van die regterskouerband (7).
- (5) Steek die vry punt van die vasmaakband (4) in die gespe (7b) van die regterskouerband (7) en maak seker dat die regterskouerband (7) bo-oor die linkerskouerband (6) loop.
- (6) Die borsseiluitrusting is nou gereed om deur die draer aangetrek te word.

AANTREKPROSEDURE

5. Sodra dit saamgestel is soos in Paragraaf 4 beskryf word, moet die borsseiluitrusting soos volg aange-trek word:

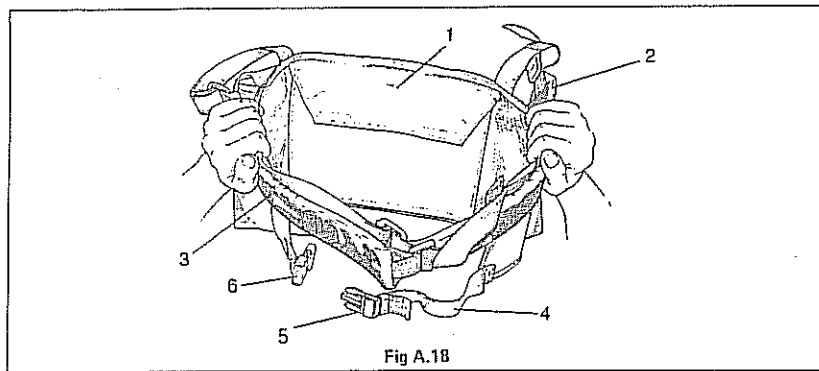


Fig A.18

- | | | | |
|---------------------|-------------------------|-------------------------|----------------------------------|
| 1. Borssak | 4. Middelband | 1. Breast Pouch | 4. Waist Strap |
| 2. Regterskouerband | 5. Manlike Snellosknip | 2. Right Shoulder Strap | 5. Male Quick-Release Fastener |
| 3. Linkerskouerband | 6. Vroulike Snellosknip | 3. Left Shoulder Strap | 6. Female Quick-Release Fastener |

- | | |
|---------------------------------|-------------------------|
| 1. Breast Pouch | 6. Left Shoulder Strap |
| 2. Right Rear Attachment Strap | 6(a). Buckle |
| 3. Left Front Attachment Strap | 6(b). Buckle |
| 4. Right Front Attachment Strap | 7. Right Shoulder Strap |
| 5. Left Rear Attachment Strap | 7(a). Buckle |
| | 7(b). Buckle |

- (1) Place the shoulder straps (6 and 7) and the breast pouch (1) in position as shown in Fig A.17.
- (2) Fit the free end of attachment strap (5) onto the buckle (6b) of the left shoulder strap (6). Refer Paragraph 5 for correct method of fitting attachment straps onto buckles.
- (3) Fit the free end of attachment strap (3) onto the buckle (6a) of the left shoulder strap (6).
- (4) Fit the free end of attachment strap (2) onto the buckle (7a) of the right shoulder strap (7).
- (5) Fit the free end of the attachment strap (4) onto the buckle (7b) of the right shoulder strap (7), ensuring that the right shoulder strap (7) passes over the top of the left shoulder strap (6).
- (6) The breast pouch is now ready for fitting on the wearer.

FITTING PROCEDURE

5. When assembled as described in Paragraph 4, fit the breast pouch as follows:

- (1) Kyk Fig A.18. Verseker dat die snellosknip (5 en 6) aan die middelband (4) ontkoppel is.
- (2) Kyk Fig A.19. Maak die agtervasmaakbande (4 en 7) langer totdat die vry punt van die bande ongeveer 50 mm uit die gespes (3 en 6) steek.
- (3) Kyk Fig A.18. Hou die regterskouerband (2) teen die buitekant van die regtersy (waar dit onder die armholte pas) van die bors sak (1). Hou dan die linkerskouerband (3) teen die linkersy van die bors sak (1).
- (4) Verseker dat die kruispunt, tussen die linker- en regterskouerbande (3 en 2) na die agterkant van die bors sak is (1).
- (5) Lig die borsseiluitrusting (1) bo die draer se kop en laat dit sak sodat die draer se kop tussen die twee skouerbande (2 en 3) en die voorkant van die borsseiluitrusting (1) is. Kontroleer dat die kruising van die bande agter is.

- (1) Refer Fig A.18. Ensure that the quick-release fastener (5 and 6) on the waist strap (4) is uncoupled.
- (2) Refer Fig A.19. Increase the length of the rear attachment straps (4 and 7) until the free end of the straps protrude approximately 50 mm from the buckles (3 and 6).
- (3) Refer Fig A.18. Hold the right shoulder strap (2) against the outside of the right side (where it fits under the armpit) of the breast pouch (1). Then hold the left shoulder strap (3) against the left side of the breast pouch (1).
- (4) Ensure that the cross-over point, between the left and right shoulder straps (3 and 2), is towards the rear of the breast pouch (1).
- (5) Raise the breast pouch (1) above the wearer's head and then lower so that the wearer's head is between the two shoulder straps (2 and 3) and the front of the breast pouch (1). Check that the strap cross-over is to the rear.

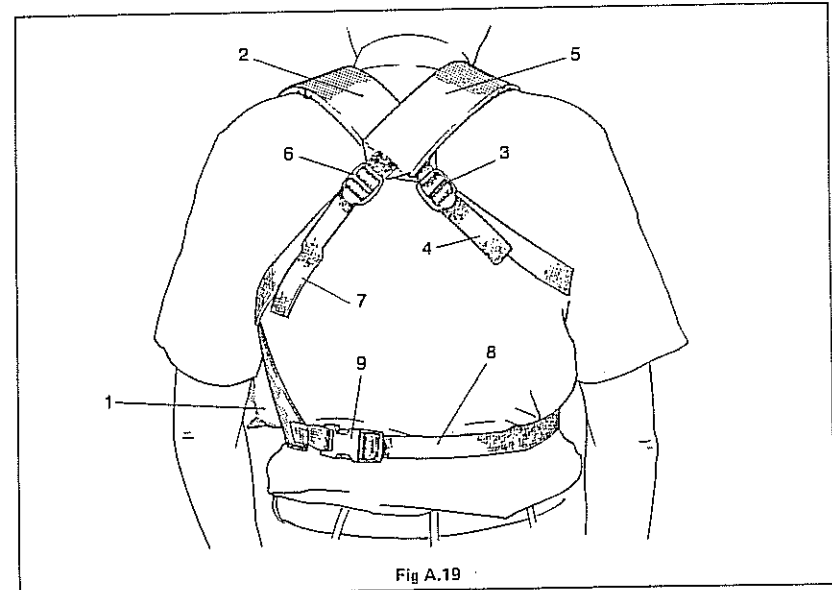


Fig A.19

- | | | | |
|---------------------|----------------|-------------------------|---------------------------|
| 1. Borssak | 6. Gespe | 1. Breast Pouch | 6. Buckle |
| 2. Linkerskouerband | 7. Vasmaakband | 2. Left Shoulder Strap | 7. Attachment Strap |
| 3. Gespe | 8. Middelband | 3. Buckle | 8. Waist Strap |
| 4. Vasmaakband | 9. Snellosknip | 4. Attachment Strap | 9. Quick-Release Fastener |
| 5. Regterskouerband | | 5. Right Shoulder Strap | |

BEPERK/RESTRICTED

- (6) Kyk Fig A.19. Plaas die regterarm tussen die regterskouerband (5) en die regtersy van die borsseiluitrusting (1). Plaas dan die linkerarm tussen die linkerskouerband (2) en die linkerarm van die borsseiluitrusting (1).
- (7) Trek die onderkant van die borsseiluitrusting (1) af en kontroleer dat die skouerbande (2 en 5) plat op die skouers lê en nie gedraai is nie.

- (6) Refer Fig A.19. Place the right arm between the right shoulder strap (5) and the right side of the breast pouch (1). Then place the left arm between the left shoulder strap (2) and the left side of the breast pouch (1).
- (7) Pull the bottom of the breast pouch (1) down, and check that the shoulder straps (2 and 5) are lying flat on the shoulders and not twisted.

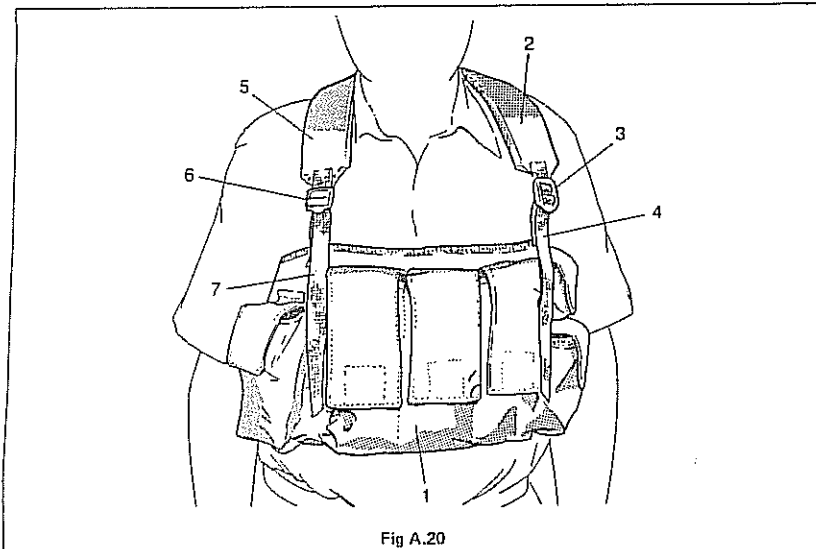


Fig A.20

- | | | | |
|---------------------|---------------------|---------------------|---------------------|
| 1. Borssak | 5. Regterskouerband | 1. Breast Pouch | 5. Right Shoulder |
| 2. Linkerskouerband | 6. Gespe | 2. Left Shoulder | Strap |
| 3. Gespe | 7. Vasmaakband | 3. Buckle | 6. Strap |
| 4. Vasmaakband | | 4. Attachment Strap | 7. Attachment Strap |

(8) Kyk Fig A.20. Verstel die lengte van die voorvasmaakbande (4 en 7) sodat die skouerbande se gespes (3 en 6) aan albei kante sowel as voor en agter gelyk is. Verseker dat die regter- en linkersy van die borsseiluitrusting (1) gerieflik onder die armholtes geposisioneer is (kyk volgende Opmerking).

(8) Refer Fig A.20. Adjust the length of the front adjustment straps (4 and 7) so that the shoulder straps' buckles (3 and 6) are level on both sides and at the front and rear. Ensure that the right and left sides of the breast pouch (1) are positioned comfortably under the armpits (see following Note).

OPMERKING

Moenie die borsseiluitrusting te hoog dra nie, anders kan dit onder die arms skaaf.

(9) Trek die agtervasmaakbande (4 en 7) af tot dat die borsseiluitrusting by albei sye en voor en agter gerieflik pas.

NOTE

Do not fit the breast pouch too high up otherwise chafing may occur under the armpits.

(9) Pull the rear attachment straps (4 and 7) downwards until the breast pouch fits comfortably on both sides and at the front and rear.

- (10) Kontroleer dat die skouerbande (2 en 5) gelyk pas en nie gedraai is nie. Indien nodig moet die lengte van die vasmaakbande (voor en/of agter) verstel word om die korrekte passing te kry.
- (11) Kyk Fig A.19. Verseker dat die middelband (8) nie gedraai is nie en steek dan die inpaskant van die snelknip (9) in die gleufkant. Druk die twee kante na mekaar toe totdat 'n "klik"-geluid gehoor word, wat dus aandui dat die sluitmeganisme van die knip (9) gesluit het.

- (10) Check that the shoulder straps (2 and 5) are fitting evenly and not twisted. If necessary, adjust the length of the attachment straps (front and/or rear) to obtain the correct fitting.
- (11) Refer Fig A.19. Ensure that the waist strap (8) is not twisted, then insert the male end of the quick-release fastener (9) into the female end. Push both ends firmly together until a 'click' sound is heard, thus indicating that the locking mechanism of the fastener (9) is locked.

6. Dit is raadsaam om die lengte van die voor- en agtervasmaakbande tydens gebruik te stel om die beste moontlike passing van die borsseiluitrusting te verseker. Nadat finale verstellings gedoen is, kan die borsseiluitrusting verwyder word en gepas word deur die anelknip op die middelband te koppel en te ontkoppel.

6. It is advisable to adjust the length of the front and rear attachment straps during usage to ensure the best possible fitting of the breast pouch. After final adjustments have been made, the breast pouch can be removed and fitted by uncoupling and coupling the quick-release fastener on the waist strap.

PAK VAN MAGASYNE

7. Die magasyn-tasse (1) is in twee kompartemente verdeel, in 'n "abba"-rangskikking, met 'n uitwerperband (4) op die voorwand van elke magasyn-kompartement vasgewerk. As 'n magasyn in die tasse gestee word, moet die volgende prosedure geld (kyk Fig A.21).

PACKING MAGAZINES

7. The magazine pouches (1) are divided into two compartments, in a 'piggy-back' arrangement, with an ejector strap (4) sewn onto the front wall of each magazine compartment. When a magazine is inserted into the pouches, the following procedure should be adopted (refer Fig A.21).

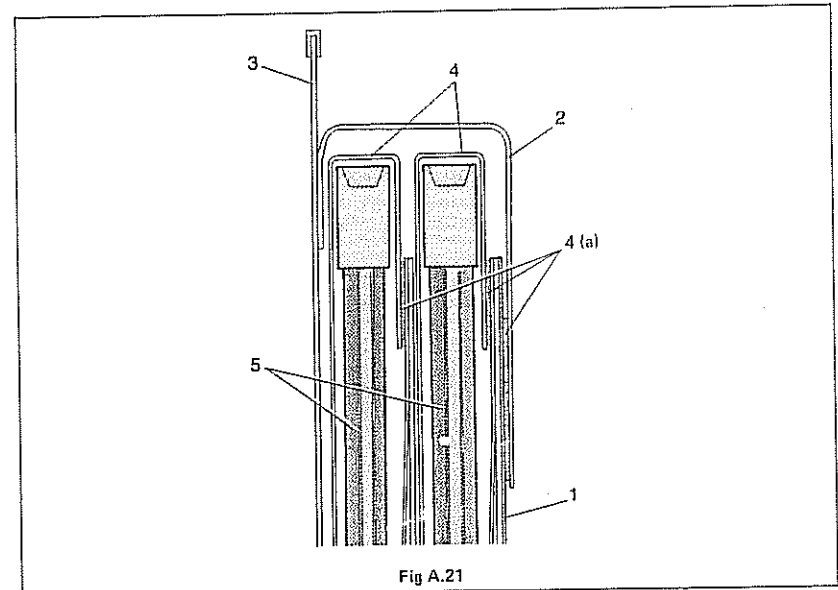


Fig A.21

- | | | | |
|----------------|---------------------|-------------------|----------------------|
| 1. Magasyn-tas | 4. Uitwerperband | 1. Magazine Pouch | 4. Ejector Strap |
| 2. Klap | 4(a). Insteekknippe | 2. Flap | 4(a). Pile Fasteners |
| 3. Hoofpaneel | 5. Magasyn | 3. Main Panel | 5. Magazine |

- (1) Lig die magasyntasklap (2) en trek die uitwerperbande (4) versigtig uit totdat hulle ten volle uitgerek is.
- (2) Verseker dat die uitwerperbande (4) nie gedraai is nie.
- (3) Hou die uitwerperband (4) na die agterkant van die tas (d.w.s. na die bors se kant toe). Steek die magasyn (5) in en stoot af, terwyl u terselfdertyd die uitwerperband (4) los.
- (4) Kontroleer dat die uitwerperband (4) binne-in die sak (1) en onder die magasyn (5) inskuif namate die magasyn (5) afgedruk word.
- (5) Sodra die magasyn ten volle ingesteeek is, lus die punt van die uitwerperband (4) bo-oor die magasyn (5) en druk die inpasknip (4a) teen die vroulike knip (4a) op die binnevoorwand van die tas (1).
- (6) Herhaal die prosedure met die tweede magasyn en maak dan die klap (2) vir die magasyntas (1) toe.

- (1) Raise the magazine pouch flap (2) and gently pull out the ejector straps (4) until fully extended.
- (2) Ensure that the ejector straps (4) are not twisted.
- (3) Hold the ejector strap (4) to the rear of the pouch (ie, towards the chest). Insert the magazine (5) and push down while, at the same time, releasing the ejector strap (4).
- (4) Check that as the magazine (5) is pushed down the ejector strap (4) slides inside the pouch (1) and under the magazine (5).
- (5) When the magazine is fully inserted loop the end of the ejector strap (4) over the top of the magazine (5) and press the male pile fastener (4a) against the female pile fastener (4a) on the inside front wall of the pouch (1).
- (6) Repeat the procedure with the second magazine then close the flap (2) for the magazine pouch (1).

AFDELING A/2 - HOOFSTUK 2

GEVEGSBAADJIE

INLEIDING

1. Hierdie Hoofstuk detailleer aanbevole prosedures vir samestelling, pas en pak van die gevegsbaadjie om minimale ongerief vir die draer te verseker en die gebruik van die baadjie te optimaliseer.

WAARSKUWING

Die sintetiese stowwe wat by die maak van die baadjie gebruik is, is ontvlambaar en moet dus nie naby of in aanraking met oop vlamme geplaas word nie.

SAMESTELLINGSPROSEDURE

Verstelbare Gespes en Vasmaakbande

2. Die drie vernaamste afhaalbare dele van die baadjie is: die juksamestel, regtersysamestel, en linkersysamestel. Die drie dele word met verstelbare tipe gespes en vasmaakbande vasgemaak (kyk Fig A.22). Die verstelbare gespes is ontwerp vir maklike samestelling, verstelling, losmaak, en om 'n positiewe greep op die vasmaakbande te verseker (d.w.s. minimale gly tussen gespe en vasmaakband).

3. Om vasmaakbande aan gespes aan te bring, kyk Fig A.16.

Om Voorpaneel aan die Juk Vas te Maak

4. Om die linker- en regtervoorpaneel aan die juk vas te maak, by die onderste deel van die baadjie, moet die volgende prosedure gevolg word:

- (1) Plaas die juk (1) op 'n plat oppervlak sodat die twee sakke bo is, en die skouerbande (8) plat lê en weg wys van die persoon wat die baadjie saamstel (kyk Fig A.22).
- (2) Plaas die regtervoorpaneel (2) sodat die sakke bo is en die vier vasmaakbande (4) in lyn is met die vier vertikale gespes (6) aan die regterkant van die juk (1).
- (3) Kontroleer dat die skouerverbind-, maastipe band (van twee gespes voorsien) plat lê en weg wys van die persoon wat die baadjie saamstel (d.w.s. in dieselfde rigting as die jukskouerbande).
- (4) Plaas die linkervoorpaneel (3) sodat die sakke bo is en die vier vasmaakbande (4) in lyn is met die vier vertikale gespes (6), aan die linkerkant van die juk (1).

SECTION A/2 - CHAPTER 2

AMMUNITION CARRYING VEST

INTRODUCTION

1. This Chapter details recommended procedures for assembling, fitting and packing the ammunition carrying vest to ensure minimal discomfort to the wearer and to optimise the use of the vest.

WARNING

The synthetic fabrics used in the make-up of the vest are inflammable and therefore, shall not be placed near or in contact with naked flames.

ASSEMBLY PROCEDURE

Adjustable Buckles and Attachment Straps

2. The three main detachable parts of the vest are: the yoke assembly, right side assembly, and the left side assembly. The three parts are attached by adjustable type buckles and attachment straps. The adjustable buckles are designed for ease of assembly, adjustment, loosening, and to ensure a positive grip on the attachment straps (ie, minimal slippage between buckle and attachment strap).

3. To fit attachment straps onto buckles, see Fig A.16.

Attaching Front Panels to the Yoke

4. To attach the left and right front panels to the yoke, at the lower part of the vest, the following procedure should be adopted:

- (1) Place the yoke (1) on a flat surface so that the two pouches are uppermost, and the shoulder straps (8) are lying flat and pointing away from the person assembling the vest (see Fig A.22).
- (2) Place the right front panel (2) so that the pouches are uppermost and the four attachment straps (4) are in line with the four vertical buckles (6) on the right side of the yoke (1).
- (3) Check that the shoulder-connecting, mesh type strap (fitted with two buckles) is lying flat and pointing away from the person assembling the vest (ie, in the same direction as the yoke shoulder straps).
- (4) Place the left front panel (3) so that the pouches are uppermost and the four attachment straps (4) are in line with the four vertical buckles (6), on the left side of the yoke (1).

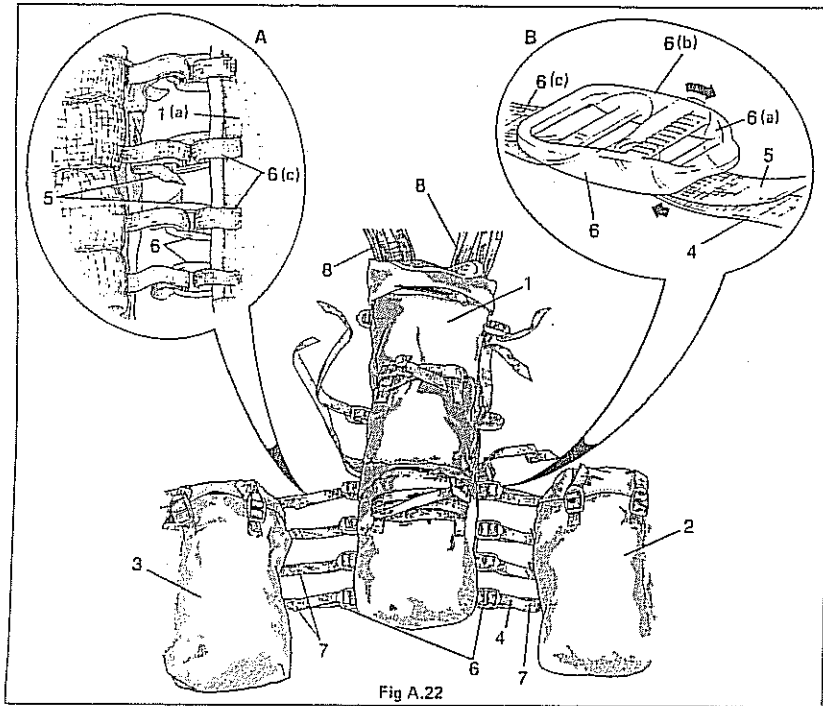


Fig A.22

- | | | | |
|----------------------------|----------------------------|-------------------------|--------------------|
| 1. Juk | 6. Verstelbare Gespe | 1. Yoke | 6(a). 1st Slot |
| 1(a). Agter-aansig van Juk | 6(a). 1ste Gleuf | 1(a). Rear View of Yoke | 6(b). 2nd Slot |
| 2. Regtervoorpaneel | 6(b). 2de Gleuf | 2. Right Front Panel | 6(c). Buckle Strap |
| 3. Linkervoorpaneel | 6(c). Gespeband (Bevestig) | 3. Left Front Panel | 7. Temporary |
| 4. Vasmaakband | 7. Tydelike Stitwerk | 4. Attachment Strap | 8. Stitching |
| 5. Vry Punt van Band | 8. Skouerbande | 5. Free End of Strap | 8. Shoulder Straps |
| | | 6. Adjustable Buckle | |

(5) Kontroleer dat die skouerverbind-, maastipe band (van twee gespes voorsien) plat lê en weg wys van die persoon wat die baadjie saamstel (d.w.s. in dieselfde rigting as die jukskouerbande).

(6) Lus die vier vasmaakbande (4), aan die regtervoorpaneel (2) oor die vier gespes (6) aan die regterkant van die juk.

(7) Lus die vier vasmaakbande (4) aan die linkervoorpaneel (3) oor die vier gespes (6) aan die linkerkant van die juk.

(8) Kontroleer die samestelling vir korrekte pas-sing (d.w.s. alle sakke is bo en die vasmaakbande is oor die gespes gelus).

(5) Check that the shoulder-connecting, mesh-type strap (fitted with two buckles) is lying flat and pointing away from the person assembling the vest (ie, in the same direction as the yoke shoulder straps).

(6) Loop the four attachment straps (4), on the right front panel (2) onto the four buckles (6) on the right side of the yoke.

(7) Loop the four attachment straps (4) on the left front panel (3) onto the four buckles (6) on the left side of the yoke.

(8) Check the assembly for correct fitment (ie, all pouches are uppermost and the attachment straps are looped onto the buckles).

Aanbring van Skouerbande

5. Die opgestopte skouerband (1) (Fig A.23) wat aan die juk vas is, skuif deur twee lusse (5 en 6) wat aan die onderkant van die skouerverbind-, maastipe bande (4) aan die bokant van die samsistelle vasgewerk is. Om die skouerbande aan te bring moet die volgende prosedure geld:

Fitting Shoulder Straps

5. The padded shoulder strap (1) (Fig A.23) attached to the yoke slides inside two loops (5 and 6) sewn onto the underside of the shoulder-connecting, mesh-type straps (4) at the top of the side assemblies. To fit the shoulder straps the following procedure should be adopted:

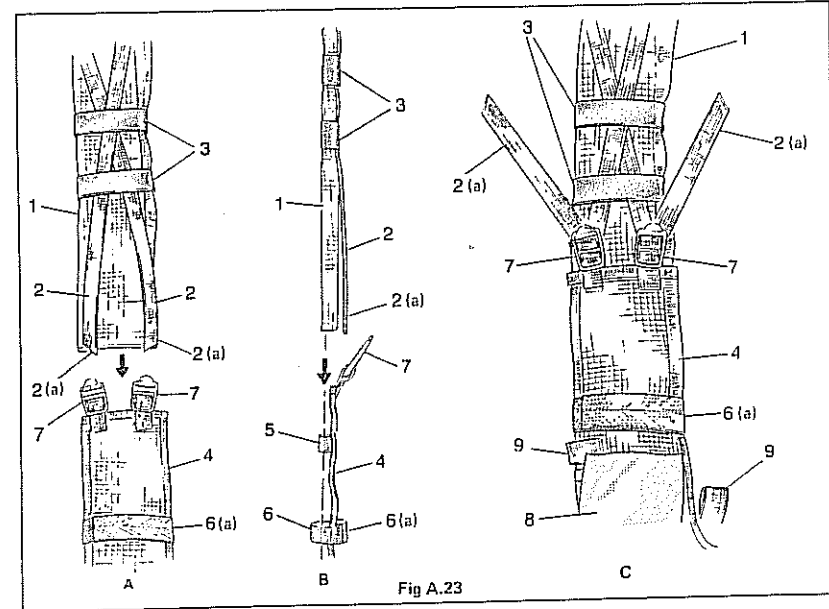


Fig A.23

- | | | | |
|-------------------------|--------------------------------|------------------------------|--------------------------------|
| 1. Jukskouerband | 6. Bandborgbandjie | 1. Yoke Shoulder | 5. Strap Retaining Band |
| 2. Vasmaakbande | 6(a). Handstukbevestigingsband | 2. Attachment Straps | 6. Strap Retaining Band |
| 2(a). Vry Punt van Band | 7. Gespe | 2(a). Free End of Strap | 6(a). Handpiece Securing Strap |
| 3. Rektipe Bande | 8. Magasynsak | 3. Elastic Type Bands | 7. Buckle |
| 4. Skouerverbindband | 9. Afrektoulusse | 4. Shoulder-Connecting Strap | 8. Magazine Pouch |
| 5. Bandborgbandjie | | | 9. Lanyard Loops |

(1) Buig die regtersy- (soos gepas op draer) jukskouerband (1) sodat dit in lyn is met die skouerverbind-, maastipe band van die regtervoorpaneel (kyk Fig A.23A).

(2) Verseker dat die jukskouerband (1) en die skouerverbindband (4) in lyn is en nie gedraai is nie.

(3) Beweeg die regterskouerband (1) afwaarts sodat dit binne die skouerverbindband (4) loop (d.w.s. na die draer toe) en steek dit deur die twee borgbandjies (5 en 6) wat binne op die skouerverbindband (4) vasgewerk is (kyk Fig A.23B).

(1) Bend the right side (as fitted on wearer) yoke shoulder strap (1) over so that it aligns with the shoulder-connecting, mesh-type strap of the right front panel [refer Fig A.23A].

(2) Ensure that the yoke shoulder strap (1) and the shoulder-connecting strap (4) are in line and not twisted.

(3) Move the right shoulder strap (1) downwards so that it passes inside (ie, towards the wearer) the shoulder-connecting strap (4) and insert into the two retaining bands (5 and 6) sewn onto the innerside of the shoulder-connecting strap (4) [refer Fig A.23B].

BEPERK/RESTRICTED

- (4) Verseker dat die skouerbande (1 en 4) en die twee borgbandjies (5 en 6) nie gedraai is nie en dat die skouerband (1) by die onderste borgbandjie (6) uitsteek.
- (5) Verseker dat die twee vasmaakbande (2) op die skouerband (1) kruis, soos in Fig A.23A getoon is, en nie gedraai is nie.
- (6) Lus die twee vasmaakbande (2) oor die twee gespes (7) op die skouerverbindband (4).
- (7) Verseker dat die skouerbande korrek pas soos in Fig A.23C getoon word.
- (8) Herhaal bostaande prosedure (d.w.s. stappe 1 tot 7) insluitende die linkerskouerbande.

- (4) Ensure that the shoulder straps (1 and 4) and the two retaining bands (5 and 6) are not twisted and that the shoulder strap (1) is protruding from the lower retaining band (6).
- (5) Ensure that the two attachment straps (2) cross-over on the shoulder strap (1) as shown in Fig A.23A and are not twisted.
- (6) Loop the two attachment straps (2) onto the two buckles (7) on the shoulder-connecting strap (4).
- (7) Ensure that the shoulder straps are correctly fitted as shown in Fig A.23C.
- (8) Repeat the above procedure (ie, Steps 1 to 7) inclusive with the left shoulder straps.

PAS METODE

6. Daar word gepas as die baadjie deur die draer gedra word, wat verkieslik die uniform moet dra wat saam met die baadjie gedra moet word. Hierdie prosedure is soos volg:

FITTING PROCEDURE

6. Fitting is carried out when the vest is being worn by the wearer, who preferably should be wearing the uniform to be worn with the vest. This procedure is as follows:

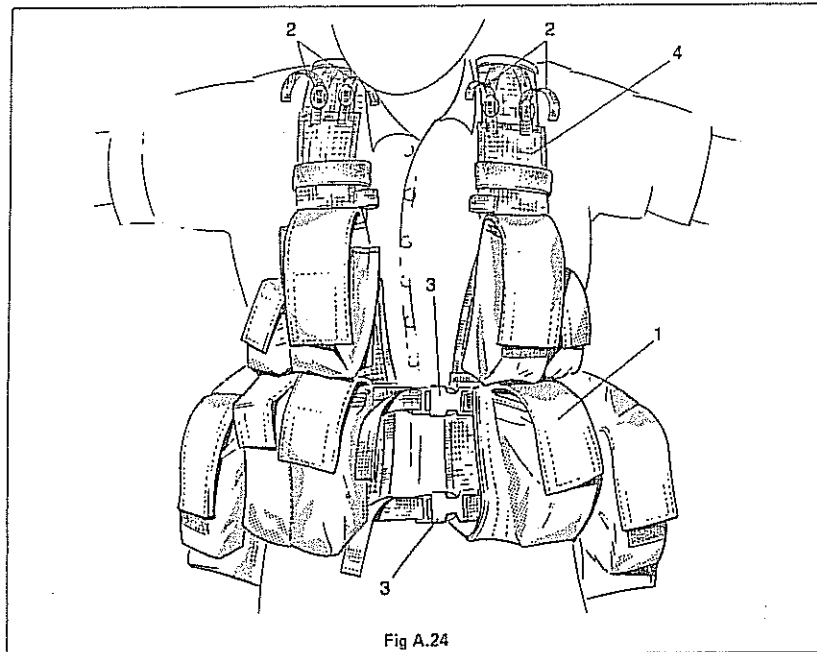


Fig A.24

- | | | | |
|----------------------|---------------------------------|---------------------------|--|
| 1. Baadjie | 3. Middelpasgespes, Snellostipe | 1. Vest | 3. Waist Fitting Buckles, Quick-Release Type |
| 2. Skouerband-gespes | 4. Maastipe Bande | 2. Shoulder Strap Buckles | 4. Mesh-type Straps |

- (1) Kyk Fig A.24. Trek die baadjie aan maar moenie die voorste middelgespes (3) konnekteer nie.
- (2) Kontroleer dat die baadjie (1) gerieflik onder die draer se armholtes pas sodat die armbewegings onbelemmerd is en geen skawing voorkom nie.
- (3) Indien nodig, verstel die lengte van die skouervasmaakbande by die gespes (2) om die passing te kry wat die beste en gerieflikste vir die draer voel.
- (4) Verseker dat die skouerverbind-, maastipe bande (4) by albei sye gelyk is. Kontroleer ook dat die baadjie onder gelyk is.
- (5) Verseker dat 'n manlike, verstelbare, snellosgespe (3) aangebring is op die middelvasmaakbande wat aan die regtervoorpaneel vasgewerk is.
- (6) Koppel die middel vroulike en manlike snellosgespes en verstel die lengte van die vasmaakbande aan die manlike gespe, indien moontlik, sodat die helfte van die lengte los hang (d.w.s. die manlike gespe halfpad op die vasmaakband is).

- (1) Refer Fig A.24. Put the vest on but do not connect the front waist buckles (3).
- (2) Check that the vest (1) fits snugly under the wearer's armpits, so that arm movement is unrestricted and no chafing is likely to occur.
- (3) If necessary, adjust the length of the shoulder attachment straps at the buckles (2) to obtain the fitment which feels best and most comfortable to the wearer.
- (4) Ensure that the shoulder-connecting, mesh-type straps (4) are level on both sides. Check also that the bottom of the vest is level.
- (5) Ensure that a male, adjustable, quick-release buckle (3) is fitted to the waist attachment straps sewn to the right front panel.
- (6) Couple the waist male and female quick-release buckles and, if possible, adjust the length of the attachment straps fitted to the male buckle so that approximately half the length is hanging loose (ie, the male buckle is halfway along the attachment strap).

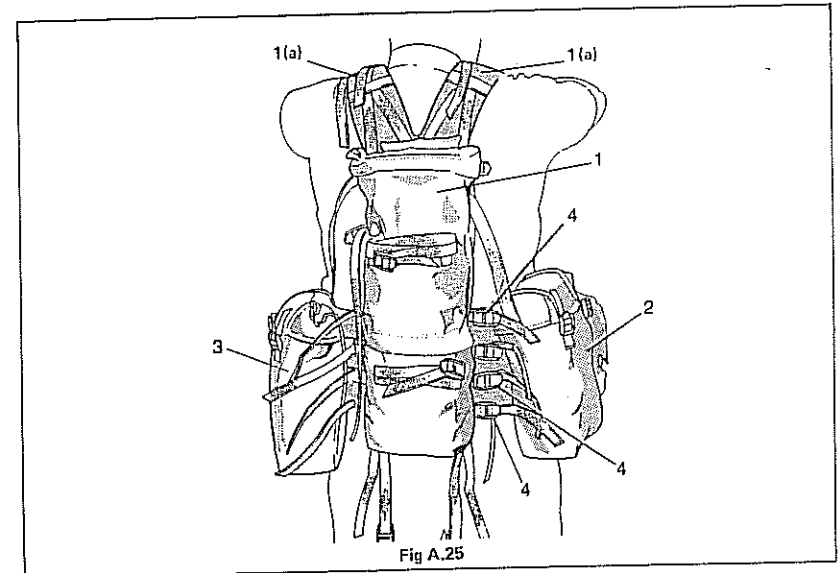


Fig A.25

- | | | | |
|---------------------|---------------------|-----------------------|---------------------|
| 1. Juk (Sakke) | 3. Linkervoorpaneel | 1. Yoke (Pouches) | 3. Left Front Panel |
| 1(a). Skouerbande | 4. Gespes | 1(a). Shoulder Straps | 4. Buckles |
| 2. Regtervoorpaneel | | 2. Right Front Panel | |

BEPERK/RESTRICTED

(7) Kyk Fig A.25. Verstel die lengte van die vasmaakbande en gespes (4) wat die juk en voorpaneel aan mekaar vasmaak sodat die uitrusting styf om die bors en middel pas sonder dat die voorvasmaakbande verder styf gemaak word (kyk Fig A.24).

OPMERKING

As die baadjie korrek om die middel pas moet die twee voorvasmaakbande (aan die manlike snelfosgespe) met die helfte van hulle lengte loshang. Dit maak verstelling om die middel moontlik.

7. As die baadjie verskeie kere gedra is en die seil het gerek, sal dit nodig wees om die bande en gespes te verstel om dit korrek te laat pas. As verstelling nie meer nodig is nie (d.w.s. die seil het natuurlikerwys gerek), dan kan die punte van die vasmaakbande in die korrekte posisie vasgeveerk word soos volg (uitrusting verwyder) (kyk Fig A.26 A):

(7) Refer Fig A.25. Adjust the length of the attachment straps and buckles (4) which attach the yoke and front panels together so that the vest fits tightly around the chest and waist without further tightening of the front attachment straps (refer Fig A.24).

NOTE

When the vest is fitting correctly around the waist the two front attachment straps (fitted to the male quick-release buckle) should have half their length hanging loose. This allows for adjustment around the waist.

7. When the vest has been worn several times and the webbing has stretched it will be necessary to maintain correct fitment. When adjustment is no longer necessary (ie, webbing stretched naturally), the ends of the attachment straps can be sewn in the correct position as follows (vest removed) (refer Fig A.26A):

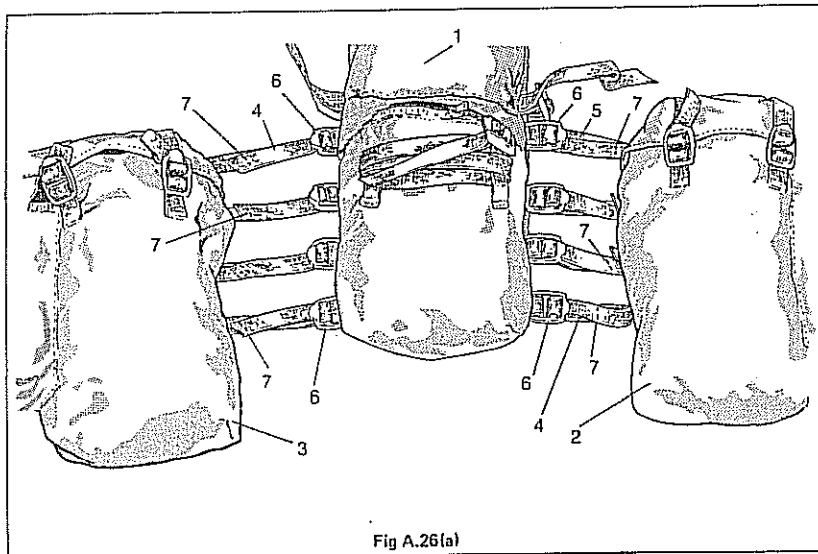


Fig A.26(a)

- | | | | |
|---------------------|----------------------|------------------------|------------------------|
| 1. Juk | 5. Vry Punt van Band | 1. Yoke | 5. Free End of Strap |
| 2. Regtersysamestel | 6. Verstelbare Gespe | 2. Right Side Assembly | 6. Adjustable Buckle |
| 3. Linkersysamestel | 7. Tydelike Stikwerk | 3. Left Side Assembly | 7. Temporary Stitching |
| 4. Vasmaakband | | 4. Attachment Strap | |

(1) Trek die vry punt (5) van die vasmaakband oor die gordellus (6) en steek dit in die tweede gleuf (6b) (d.w.s. kyk rigting van pyle wat in inlas A, Fig 22 getoon word).

(1) Pass the free end (5) of the attachment strap (4) over the tab end of the buckle (6) and insert into the second slot (6b) (ie, refer direction of arrows shown in insert A, Fig A.22).

(2) Trek die vry punt van die band (5) styf en hou in posisie teen die binnekant van die juk en in lyn met die gespebevestigingsband (6c).

(3) Verseker dat die vry punt (5) van die vasmaakband korrek geposisioneer is (kyk inlas B, Fig A.22) en dat die gespeborgbandjie (6c) styfgetrek is.

(4) Gebruik naald en gare (van 'huisvrou') en stik die vry punt van die vasmaakband (5) tydelik aan beide kante van die band vas aan die maastipe agterpaneel aan die binnekant van die juk.

(2) Pull the free end of the strap (5) tight and hold in position against the inside of the yoke and in line with the buckle securing strap (6c).

(3) Ensure that the free end (5) of the attachment strap is correctly positioned (refer insert B, Fig A.22) and that the buckle retaining strap (6c) is pulled tight.

(4) Using needle and thread (from 'housewife') temporarily stitch the free end of the attachment strap (5) on both sides of the strap to the mesh-type back panel on the inside of the yoke.

PAKPROSEDURE

Juksakke

8. Die juk(agter)sakke (Fig A.26B) is ontwerp om die volgende items te dra:

PACKING PROCEDURE

Yoke Pouches

8. The yoke (rear) pouches (Fig A.26B) are designed to carry the following items:

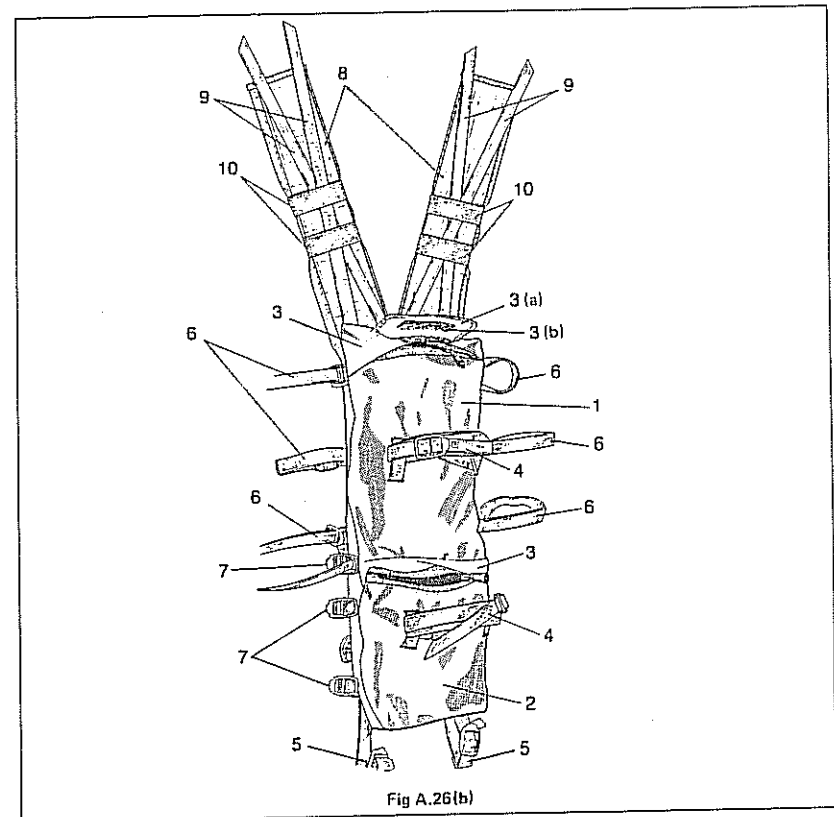


Fig A.26(b)

- | | |
|-------------------------|--------------------|
| 1. Bosak | 5. Grondseilbande |
| 2. Ondersak | 6. Mortierbombande |
| 3. Klappe | 7. Syvasmaakgespes |
| 3(a). Radiotoegangsklap | 8. Skouerbande |
| 3(b). Insteekknippe | 9. Vasmaakbande |
| 4. Slaapsakbande | 10. Borgbandjies |

a. Die bosak (1) is ontwerp om die volgende te dra:

- i. 'n 2-liter-waterbottel, of;
- ii. 'n 1-liter-waterbottel, volledig met drinkbeker, of;
- iii. 'n A52- of A53-tipe veldradio.

OPMERKINGS

1. As die A52/A53-tipe veldradio in die bosak (1) gesit word, word die radiotoegangsklap (3a) oopgemaak om toegang tot die radiokontroles moontlik te maak en om die antenna toe te laat om deur die opening te steek (kyk ook Opmerking 2).
2. As die veldradio in die bosak (1) gesit word, kan die handstuk wat daarmee verbind is, deur 'n spesiale band aan die linker- of regterskouerband bevestig word.
3. As uitrusting in die bosak gedra word, verseker altyd dat die klap (3) toe is en dat die ritssluiting toe is.

b. Die ondersak (2) is ontwerp om rantsone te dra.

9. Mortierbomme, slaapsakke en grondseil word soos volg aan die bo- en ondersakke (1 en 2) van die juk bevestig (kyk Fig A.26C):

- | | |
|-------------------------|----------------------------|
| 1. Upper Pouch | 6. Mortar Bomb Straps |
| 2. Lower Pouch | 7. Side Attachment Buckles |
| 3. Flaps | 8. Shoulder Straps |
| 3(a). Radio Access Flap | 9. Attachment Straps |
| 3(b). Pile Fasteners | 10. Retaining Bands |
| 4. Sleeping Bag Straps | |
| 5. Groundsheet Straps | |

a. The upper pouch (1) is designed to carry:

- i. A 2-litre water bottle, or;
- ii. A 1-litre water bottle, complete with drinking mug, or;
- iii. An A52 or A53 type field radio.

NOTES

1. When the A52/A53 type field radio is fitted in the upper pouch (1), the radio access flap (3a) is opened to enable access to the radio controls and to allow the aerial to protrude through the opening (see Note 2).
2. When the field radio is fitted in the upper pouch (1) the associated handpiece can be secured by a special strap on the left or right shoulder strap.
3. When carrying equipment in the upper pouch always ensure that the flap (3) is closed and zipped up.

b. The lower pouch (2) is designed to carry rations.

9. Mortar bombs, sleeping bag and groundsheet are secured as follows to the upper and lower pouches (1 and 2) of the yoke (refer Fig A.26C):

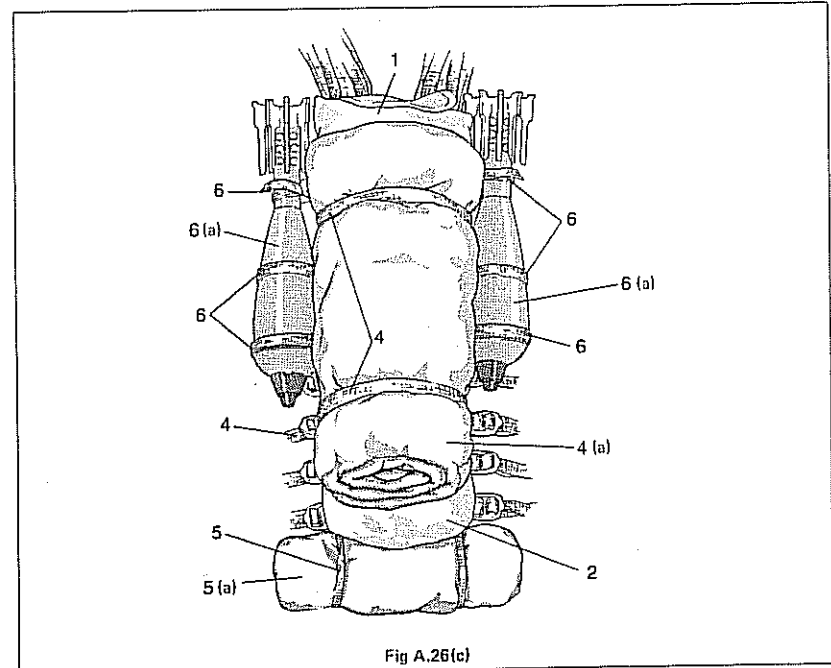


Fig A.26(c)

- | | | | |
|-----------------|------------------|--------------------|--------------------|
| 1. Bosak | 5. Vasmaakbande | 1. Upper Pouch | 5. Securing Straps |
| 2. Ondersak | 5(a). Grondseil | 2. Lower Pouch | 5(a). Groundsheet |
| 4. Vasmaakbande | 6. Vasmaakbande | 4. Securing Straps | 6. Securing Straps |
| 4(a). Slaapsak | 6(a). Mortierbom | 4(a). Sleeping Bag | 6(a). Mortar Bomb |

- (a) Die slaapsak (4a) word styf opgerol en in 'n vertikale posisie aan die bo- en ondersakke (1 en 2) vasgemaak met die twee los bevestigingsbande (4) wat in lusse gesteeek word (kyk Fig A.26C) wat aan die bo- en ondersakke vasgewerk is.
 - (b) Die twee bevestigingsbande (5) wat aan die onderkant van die ondersak (2) vasgewerk is, is ontwerp om 'n opgerolde grondseil (5a) of 'n veeldoelsskuiling of 'n natweerpak te dra.
 - (c) Die drie bevestigingsbande (6) by elke sy van die bosak kan gebruik word om 'n mortierbom aan elke sy van die bosak (1) te bevestig. Die boonste band word styf om die bom net onder die vin bevestig. Die middelste en onderste bande word styf om die hoofromp van die bom bevestig om te verhoed dat dit rondswaai.
- (a) The sleeping bag (4a) is rolled up tightly and secured in a vertical position to the upper and lower pouches (1 and 2) by the two loose securing straps (4) which are inserted in loops (refer Fig A.26C) sewn onto the upper and lower pouches.
 - (b) The two securing straps (5) sewn onto the underside of the lower pouch (2) are designed to carry a rolled-up groundsheet (5a) or a multi-purpose shelter or a wet weather suit.
 - (c) The three securing straps (6) on each side of the upper pouch can be used to secure a mortar bomb to each side of the upper pouch (1). The top strap is secured tightly around the bomb just under the fin. The middle and bottom straps are secured tightly around the main body of the bomb to prevent it from swinging about.

Regtervoorpaneel

Right Front Panel

10. Die regtervoorpaneel samestel (Fig A.27) is ontwerp om die volgende items te dra:

10. The right front panel assembly (Fig A.27) is designed to carry out the following items:

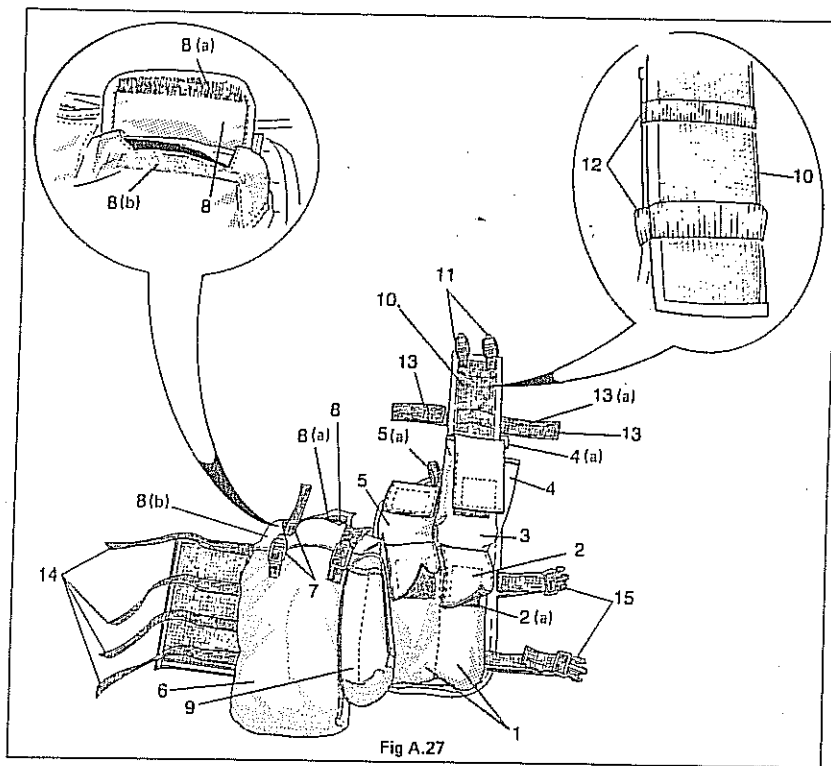


Fig A.27

- | | | | |
|---------------------|-------------------------|----------------------------------|-------------------------|
| 1. Granaatasse | 8. Klap | 1. Grenade Pouches | 8. Flap |
| 2. Klapp | 8(a). Radiotoegangsklap | 2. Flap | 8(a). Radio Access Flap |
| 2(a). Insteekknippe | 8(b). Insteekknippe | 2(a). Pile Fasteners | 8(b). Pile Fasteners |
| 3. Magasyntas | 9. Magasyntas | 3. Magazine Pouch | 9. Magazine Pouch |
| 4. Seinwerper | 10. Skouerband | 4. Pencil Flare Projector Pocket | 10. Shoulder Strap |
| 4(a). Lus | 11. Gespe | 4(a). Loop | 11. Buckle |
| 5. Kompassak | 12. Borgbandjie | 5. Compass Pouch | 12. Retaining Strap |
| 5(a). Lus | 13. Bevestigingsband | 5(a). Loop | 13. Securing Strap |
| 6. Waterbottelsak | 13(a). Insteekknippe | 6. Water Bottle Pouch | 13(a). Securing Strap |
| 7. Band en Gespe | 14. Vasmaakbande | 7. Strap and Buckle | 14. Attachment Straps |
| | 15. Gespe | | 15. Buckle |

a. Die onderste granaatasse (2) kan met die volgende tipes granaat gepak word:

- i. Twee fosfor- of rooktipe granaat, of

a. The lower grenade pouches (2) can be packed with grenades of the following types:

- i. Two phosphorus or smoke type grenades, or

- ii. Vier M26-teenpersoneelgranaat.
- b. Magasyntas (3) kan met die volgende tipes magasyne gepak word:
 - i. Twee R4 35-skoot-magasyne, of
 - ii. Twee R1 20-skoot-magasyne.
- c. Die slank sakkie (4) wat voor die magasyntas (3) vasgewerk is, kan gebruik word om 'n 15-mm-seinwerper (of 'n pen of potlood) te pak. Indien 'n affrekkou aan die seinwerper vas is, moet die ander end aan die lus (4a) net bo die seinwerpersak (4) vasgebind word.

d. Die kompassak (5) kan gebruik word om die volgende items te pak:

- i. Een M26-teenpersoneelgranaat, of
- ii. Een veldverband, of
- iii. Een kompas (kyk volgende OPMERKING).

OPMERKING

Indien 'n kompas in die sak (5) gepak word, bind die kompastrekkou aan die lus (5a) net bo die sak vas.

e. Die agtersak (6) kan gebruik word om enige van die volgende te pak:

- i. Een 2-liter-waterbottel, of
- ii. Een 1-liter-waterbottel volledig met drinkbeker, of
- iii. A52- of A53-veldradio (kyk volgende OPMERKINGS).

OPMERKINGS

- 1. As 'n veldradio in die sak (6) gepak word, maak die klein klappie (8a) oop om die antenne te laat uitsteek en om toegang tot die kontroles te kry.
- 2. Indien die radio nie gepak word nie, verseker dat die klein klappie (8a) toe is, en gebruik die insteekknippe (8b).

f. Die magasyntas (9) kan met die volgende tipes magasyne gepak word:

- i. Twee R4 35-skoot-magasyne, of
- ii. Twee R1 20-skoot-magasyne.

Linktervoorpaneel

11. Die linktervoorpaneel (Fig A.28) is ontwerp om die volgende items te dra:

- ii. Four M26 anti-personnel grenades.

b. Magazine pouch (3) can be packed with the following type magazines:

- i. Two R4 35-round magazines, or
- ii. Two R1 20-round magazines.

c. The slim pocket (4) sewn onto the front of the magazine pouch (3) can be used to pack a 15 mm pencil flare projector (or a pen or pencil). If a lanyard is attached to the flare projector, tie the other end to the loop (4a) just above the flare projector pocket (4).

d. The compass pouch (5) can be used to pack the following items:

- i. One M26 anti-personnel grenade, or
- ii. One field dressing, or
- iii. One compass (see following NOTE).

NOTE

If a compass is packed into the pouch (5) tie the compass lanyard to the loop (5a) just above the pouch.

e. The rear pouch (6) can be used to pack any of the following:

- i. One 2-litre water bottle, or
- ii. One 1-litre water bottle complete with drinking mug, or
- iii. An A52 or A53 field radio (see following NOTES).

NOTES

- 1. When a field radio is packed into the pouch (6) open the small flap (8a) to allow the aerial to protrude through and to gain access to the controls.
- 2. If a radio is not packed ensure that the small flap (8a) is closed using the pile fasteners (8b).

f. The magazine pouch (9) can be packed with the following type magazines:

- i. Two R4 35-round magazines, or
- ii. Two R1 20-round magazines.

Left Front Panel

11. The left front panel (Fig A.28) is designed to carry the following items:

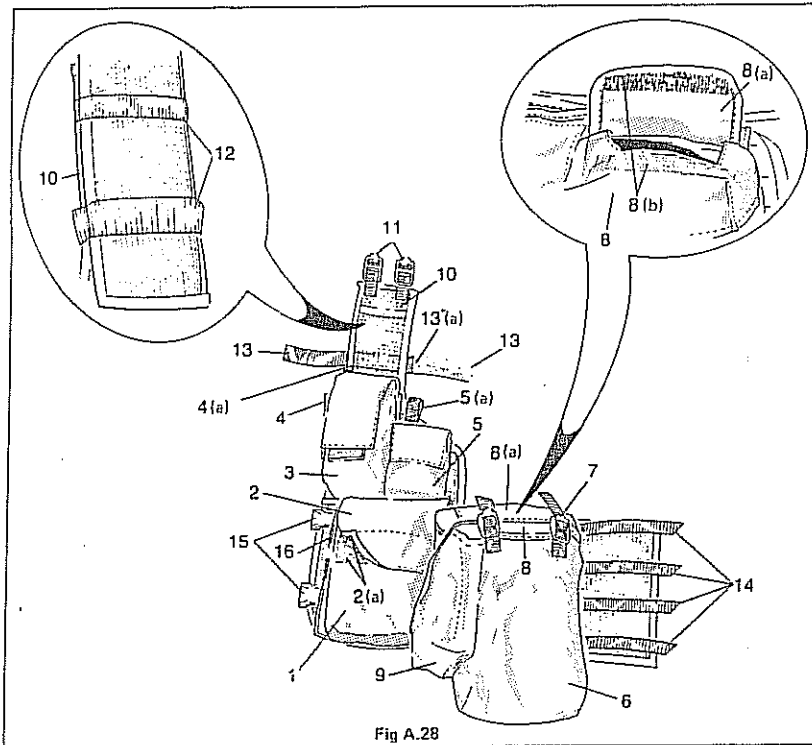


Fig A.28

- | | | | |
|---------------------|----------------------|----------------------------------|--------------------------|
| 1. Verkykersak | B(a). Klap | 1. Binocular Pouch | B(a). Flap |
| 2. Klap | B(b). Insteekknippe | 2. Flap | B(b). Pile Fasteners |
| 2(a). Insteekknippe | 9. Magasyntas | 2(a). Pile Fastener | 9. Magazine Strap |
| 3. Magasyntas | 10. Skouerband | 3. Magazine Pouch | 10. Shoulder Strap |
| 4. Seinwerpersak | 11. Gespe | 4. Pencil Flare Projector Pocket | 11. Buckle |
| 4(a). Lus | 12. Borgbandjie | 4(a). Loop | 12. Retaining Strap |
| 5. Kompassak | 13. Bevestigingsband | 5. Compass Pouch | 13. Securing Strap |
| 5(a). Lus | 13(a). Insteekknippe | 5(a). Loop | 13(a). Pile Fasteners |
| 6. Waterbottelsak | 14. Vasmaakband | 6. Water Bottle Pouch | 14. Attachment Strap |
| 7. Band en Gespe | 15. Snellosgespe | 7. Strap and Buckle | 15. Quick-release Buckle |
| 8. Klap | 16. Kaartsak | 8. Flap | 16. Map Pocket |

- a. Die verkykersak (1) kan met die volgende items gepak word:
- i. Een verkyker, of
 - ii. Twee fosfor- of rookgranate, of
 - iii. Vier M26-teenpersoneelgranate.

- a. The binocular pouch (1) can be packed with the following items:
- i. One pair of binoculars, or
 - ii. Two phosphorus or smoke grenades, or
 - iii. Four M26 anti-personnel grenades.

- b. Magasyntas (3) kan met die volgende tipes magasynne gepak word:
- i. Twee R4 35-skoot-magasynne, of
 - ii. Twee R1 20-skoot-magasynne.
- c. Die slank sakkie (4) wat voor op die magasyntas (3) vasgewerk is, kan gebruik word om 'n 15 mm-sienwerper (of 'n pen of potlood) te pak. Indien 'n trektou aan die seinwerper vas is, bind die ander end aan die lus (4a) net bo die seinwerper (4) vas.

- b. Magazine pouch (3) can be packed with the following type magazines:
- i. Two R4 35-round magazines, or
 - ii. Two R1 20-round magazines.

c. The slim pocket (4) sewn onto the front of the magazine pouch (3) can be used to pack a 15 mm pencil flare projector (or a pen or pencil). If a lanyard is attached to the flare projector tie the other end to the loop (4a) just above the flare projector pocket (4).

- d. Die kompassak (5) kan gebruik word om die volgende items te pak:
- i. Een M26-teenpersoneelgranaat, of
 - ii. Een veldverband, of
 - iii. Een kompas (kyk volgende OPMERKING).

- d. The compass pouch (5) can be used to pack the following items:
- i. One M26 anti-personnel grenade, or
 - ii. One field dressing, or
 - iii. One compass (see following Note).

OPMERKING

Indien 'n kompas in die sak (5) gepak word, bind die kompastrekkou aan die lus (5a) net bo die sak vas.

NOTE

If a compass is packed into the pouch (5) tie the compass lanyard to the loop (5a) just above the pouch.

- e. Die agtersak (6) kan gebruik word om enige van die volgende te pak:
- i. Een 2-liter-waterbottel, of
 - ii. Een 1-liter-waterbottel volledig met drinkbeker, of
 - iii. A52- of A53-veldradio (kyk volgende Opmerkings).

- e. The rear pouch (6) can be used to pack any of the following:
- i. One 2-litre water bottle, or
 - ii. One 1-litre water bottle complete with drinking mug, or
 - iii. An A52 or A53 field radio (see following Notes).

OPMERKINGS

1. As 'n veldradio in die sak (6) gepak word, maak die klein klappie (8a) oop om die antenne toe te laat om uit te steek en om toegang tot die kontroles te kry.
2. Indien 'n radio nie gepak is nie, verseker dat die klein klappie (8a) toegemaak en vasgemaak is.
3. Maak die sakklap (8a) toe deur die twee bevestigingsbande en gespes (7) te gebruik.

NOTES

1. When a field radio is packed into the pouch (6), open the small flap (8a) to allow the aerial to protrude through and to gain access to the controls.
2. If a radio is not packed, ensure that the small flap (8a) is fastened closed.
3. Fasten the pouch flap (8) closed using the two securing straps and buckles (7).

- f. Die magasyntas (9) kan met die volgende tipes magasynne gepak word:
- i. Twee R4 35-skoot-magasynne, of
 - ii. Twee R1 20-skoot-magasynne.

- f. The magazine pouch (9) can be packed with the following type magazines:
- i. Two R4 35-round magazines, or
 - ii. Two R1 20-round magazines.

- g. Die kaartsak (16) is ontwerp om kaarte, gradeboë en soortgelyke plat items te pak.

- g. The map pocket (16) is designed to pack maps, protractors and similar flat items.

AFDELING A/2 - HOOFSTUK 3

RUGSAK

INLEIDING

1. Hierdie Hoofstuk sit die aanbevole prosedures uiteen vir die samstelling, pas en pak van die rugsak om minimale ongerief vir die draer te verseker en om die gebruik van die veldknapsak te optimaliseer.

WAARSKUWING

Die sintetiese stowwe wat gebruik is om die veldknapsak te maak is ontvlambaar en moet dus nie naby of in aanraking met oop vlamme geplaas word nie.

SAMESTELLINGSPROSEDURE

Aanvanklike Kontrole

2. Behalwe vir klein items soos gespes, is geen van die onderskeie dele van die rugsak afhaalbaar sonder om stikwerk los te trek nie. Voordat die rugsak dus gepas word, moet daar gekontroleer word of van die gespes makeer.

Afhaalbare items word in die volgende plekke gebruik:

- a. Twee manlike gespes word gelus aan die punte van die bevestigingsbande wat die hoof-sakbedekking oor die agterkant van die rugsak in posisie hou.
- b. Die trekkoord (5) vir die hoofbosak is met 'n losdrukdwarspen (6) toegerus (kyk Fig A.30).
- c. 'n Manlike snellosgespe (7) (kyk Fig A.10) word op die borsband (6) gelus wat by die een punt aan die linkerskouerband (4) bevestig is.
- d. 'n Manlike snellosgespe word aan die verstelbare middelband gelus.

Hoe om Gespes aan Bande te Lus

3. Om gespes aan bande te lus, kyk Fig A.16.

HOE OM DIE RUGSAK TE PAS

4. As die rugsak aan die draer gepas moet word, veral die eerste keer, moet die volgende prosedure gevolg word (kyk Fig A.29):

SECTION A/2 - CHAPTER 3

FIELD PACK

INTRODUCTION

1. This Chapter details recommended procedures for assembling, fitting and packing the field pack to ensure minimal discomfort to the wearer and to optimise the use of the field pack.

WARNING

The synthetic fabrics used in the make-up of the field pack are inflammable and therefore, shall not be placed near or in contact with naked flames.

ASSEMBLY PROCEDURE

Initial Checks

2. Except for small items such as buckles, none of the various parts of the field pack are detachable without undoing stitching. Therefore, before the field pack can be fitted checks should be made for missing buckles.

Detachable items are used in the following places:

- a. Two male buckles are looped onto the ends of the securing straps which secure the main pouch cover in position over the rear of the field pack.
- b. The draw cord (5) for the main upper pouch is fitted with a press-to-release toggle (6) (refer Fig A.30).
- c. A male quick-release buckle (7) (See Fig A.10) is looped onto the chest strap (6) which is secured at one end to the left shoulder strap (4).
- d. A male quick-release buckle is looped onto the adjustable waistband.

Looping Buckles onto Straps

3. To loop buckles onto straps, see Fig A.16.

FITTING THE FIELD PACK

4. When the field pack is to be fitted on the wearer especially for the first time, the following procedure should be adopted (refer Fig A.29):

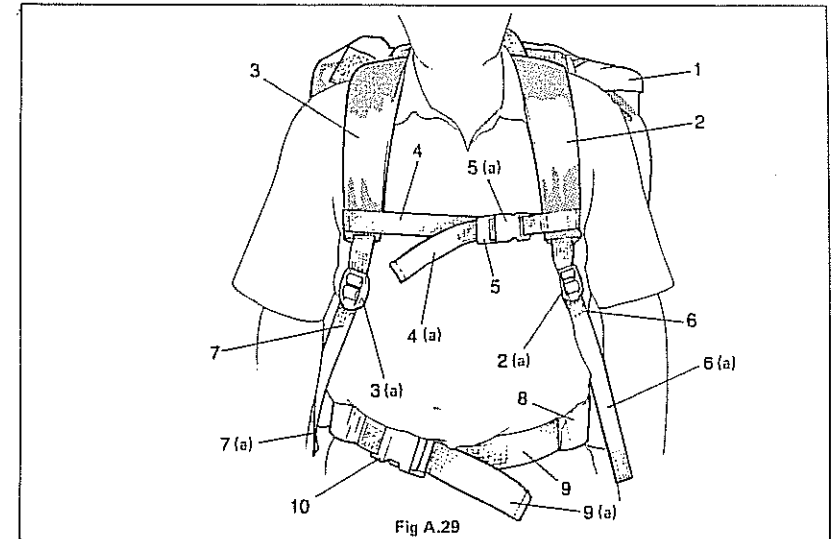


Fig A.29

- | | | | |
|-----------------------------|-------------------------|-----------------------------------|---------------------------|
| 1. Rugsak | 6. Linkervasmaakband | 1. Field Pack | 6. Left Attachment Strap |
| 2. Linkerskouerband | 6(a). Vry Punt van Band | 2. Left Shoulder Strap | 6(a). Free End of Strap |
| 2(a). Gespe | 7. Regtervasmaakband | 2(a). Buckle | 7. Right Attachment Strap |
| 3. Regterskouerband | 7(a). Vry Punt van Band | 3. Right Shoulder Strap | |
| 3(a). Gespe | 8. Middelband | 3(a). Buckle | 7(a). Free End of Strap |
| 4. Verstelbare Borsband | 9. Verstelband | 4. Adjustable Chest Strap | 8. Waistband |
| 4(a). Vry Punt van Band | 9(a). Vry Punt van Band | 4(a). Free End of Strap | 9. Adjustment Strap |
| 5. Manlike Snellosgespe | 10. Snellosgespe | 5. Male Quick-Release Buckle | 9(a). Free End of Strap |
| 5(a). Vroulike Snellosgespe | | 5(a). Female Quick-Release Buckle | 10. Quick-Release Buckle |
-
- (1) Lus die vasmaakbande (6 en 7) aan die gespes (2a en 3a). Verstel die posisie van die gespes vir maksimum lengte van albei vasmaakbande.
 - (2) Steek die regterarm deur tussen die regterskouerband (3) en die rugsak (1). Steek die linkerarm deur tussen die linkerskouerband (2) en die rugsak (1).
 - (3) Beweeg die rugsak in posisie in sodat dit op die skouers en rug van die draer rus, soos in Fig A.29 getoon word.
 - (4) Verstel die posisie van die middelband (8) sodat dit om die middel pas en op die boonste deel van die draer se heupe rus. Koppel dan die vroulike en manlike snellosgespe (10) wat aan die punte van die middelband vas is.
-
- (1) Loop the attachment straps (6 and 7) onto the buckles (2a and 3a). Adjust the position of the buckles for maximum length of both attachment straps.
 - (2) Put the right arm between the right shoulder strap (3) and field pack (1). Put the left arm between the left shoulder strap (2) and the field pack (1).
 - (3) Move the field pack into position so that it is resting on the shoulders and back of the wearer as shown in Fig A.29.
 - (4) Adjust the position of the waistband (8) so that it fits around the waist and rests on the top part of the wearer's hips. Then couple the male and female quick-release buckle (10) attached to the ends of the waistband.

(5) Verseker dat die middelband (8) korrek ge-positioneer is soos in Stap (4) beskryf is en trek dan die vry punt (9a) van die middel-bandverstelband (9) totdat dit styf en gerieflik om die middel pas.

(6) Trek die vry punte (6a en 7a) van die vas-maakbande (6 en 7) totdat die skouerbande (2 en 3) redelik styf teen die bors getrek is en die rugsak goed bo teen die skouers pas. Moenie die middelband (8) te hoog optrek nie anders sal dit nie korrek bo-op die heupe sit nie. (Kyk volgende Opmerking).

OPMERKING

Dit is noodsaaklik dat die gewig van die rugsak deur die middelband en dus op die draer se heupe gedra moet word. Hierdie inrigting verseker dat die gewig van die pak op draer se bene en nie op die rug nie geplaas word.

(7) Koppel die manlike (5) en vroulike gespe (5a) aan die borsband (4). Trek die vry punt (4a) van die borsband (4) totdat die skouerbande (2 en 3) gerieflik voel en nie van mekaar af sal trek en van die draer se skouers afgly nie.

(8) Verstel die lengte van alle vasmaakbande sodat die rugsak gerieflik op die draer pas.

PAKPROSEDURE

Hoofsakke

5. Die onderste, boonste and vier sysakke is ontwerp om die volgende items te dra:

(5) Ensure that the waistband (8) is correctly positioned as described in Step (4) then pull the free end (9a) of the waistband adjustment strap (9) until it fits tightly and comfortably around the waist.

(6) Pull the free ends (6a and 7a) of the attachment straps (6 and 7) until the shoulder straps (2 and 3) are pulled reasonably tight against the chest and the top of the field pack is fitted well up onto the shoulders. Do not pull the waistband (8) too high up otherwise it will not sit correctly on the top of the hips (see following NOTE):

NOTE

It is essential that the weight of the field pack is carried by the waistband and thus on the wearer's hips. This arrangement ensures that the weight of the pack is placed on the wearer's legs and not on the back.

(7) Couple the male (5) and female (5a) buckle together on the chest strap (4). Pull the free end (4a) of the chest strap (4) until the shoulder straps (2 and 3) feel comfortable and not liable to spread apart and hence slip off the wearers' shoulders.

(8) Adjust the length of all attachment straps so that the field pack fits comfortably on the wearer.

PACKING PROCEDURE

Main Pouches

5. The lower, upper and four side pouches are designed to carry the following items:

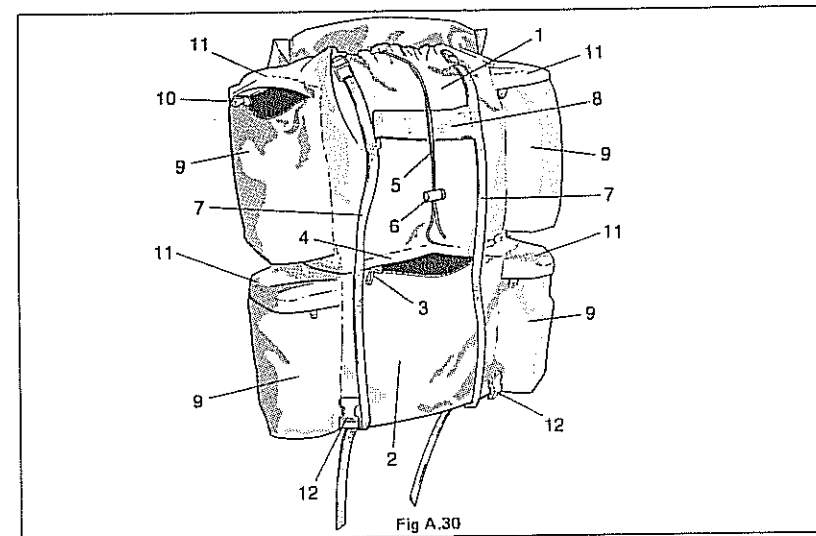


Fig A.30

1. Boonste Sak	8. Dopmaakband	1. Upper Pouch	8. Opening Strap
2. Onderste Sak	9. Waterbottelsakke	2. Lower Pouch	9. Water Bottle Pouches
3. Ritssluiters	10. Ritssluiters	3. Zip Fastener	10. Zip Fastener
4. Klap	11. Klap	4. Flap	11. Flap
5. Trekkkoord	12. Vroulike Snellosgespe	5. Draw Cord	12. Female Quick-Release
6. Dwarspen		6. Toggle	
7. Slaapsakbevestigingsbande		7. Sleeping Bag Securing Straps	

(a) Die onderste sak (2) (Fig A.30) is ontwerp om alle swaar items uitrusting soos ammunisie, voedselrantsone, ens. te hou. Indien moontlik moet metaalitems verhoed word om teen mekaar te vryf of te stamp.

i. As die onderste sak (2) gepak word, trek die twee skuiwers vir die ritssluiters (3) saam (die skuiwers kan aan enige kant van die ritssluiters ge-positioneer word) en verseker dat die klap (4) goed oor die ritssluiterruspers (3) pas.

(b) As die boonste sak gepak word, trek die trekkkoord (5) stywer om die bokant van die sak. Sluit die trekkkoord (5) in hierdie posisie en gebruik die losdrukdwarspen (6).

(c) Die waterbottelsakke (9) is ontwerp om die volgende items te dra:

i. Een (per sak) 2-liter-waterbottel, of een 1-liter-waterbottel met drinkbeker, of

(a) The lower pouch (2) (Fig A.30) is designed for packing all heavy items of equipment such as ammunition, food rations, etc. If possible, metal items should be prevented from rubbing or striking against each other.

i. When the lower pouch (2) is packed, pull the two sliders for the zip fastener (3) together (the sliders can be positioned at any side of the zip) and ensure that the flap (4) fits snugly over the zip fastener (3) tracks.

(b) When the upper pouch is packed, pull the drawcord (5) tighter around the top of the pouch. Lock the drawcord (5) in this position using the press-to-release toggle (6).

(c) The water bottle pouches (9) are designed to pack the following items:

i. One (per pouch) 2-litre water bottle, or one 1-litre water bottle with drinking mug, or

- ii. Een van of albei die boonste waterbottelsakke kan gebruik word om byvoorbeeld klere-items in te pak, mits voldoende water in die ander waterbottelsakke gedra kan word.
- iii. As die vier waterbottelsakke gepak word, trek die ritssluiterskuiwer (10) om en maak die klap (11) styf oor die ritssluiterspersers toe.

Slaapsak en Kaarte

- 6. Slaapsak en kaarte word soos volg gepak:
 - a. Kyk Fig A.30. Die slaapsak moet styf opgerol word om te verseker dat die totale lengte tussen die twee boonste waterbottelsakke pas. Bevestig die slaapsak horisontaal in posisie oor die boonste sak (1) met die twee bevestigingsbande (7).
 - b. Kyk Fig A.31. Die kaartsak word gebruik om kaarte, gradeboë, potlode en ander plat items te pak. Die sak is groot en beslaan die volle breedte van die rugsakbedekking. Toegang word tot die kaartsak verkry deur 'n ritssluiters wat horisontaal oor die buitekant van die bedekking vasgewerk is. As toegang tot die kaartsak nie nodig is nie, verseker dat die ritssluiters toe is en dat die klap stewig oor die ritssluiterspersers is.

- ii. One or both of the upper water bottle pouches can be used for example, to pack items of clothing, provided that sufficient water can be carried in the other water bottle pouches.
- iii. When the four water bottle pouches are packed, pull the zip fastener (10) slider round and close the flap (11) snugly over the zip fastener tracks.

Sleeping Bag and Maps

- 6. Sleeping bag and maps are packed as follows:
 - a. Refer Fig A.30. The sleeping bag must be rolled-up tightly ensuring that the overall length fits between the two upper water bottle pouches. Secure the sleeping bag in position horizontally across the upper pouch (1) using the two securing straps (7).
 - b. Refer Fig A.31. The map pocket is used to pack maps, protractors, pencils and other flat items. The pocket is large and occupies the full width of the field pack cover. Access to the map pocket is gained via a zip fastener sewn horizontally across the outside of the cover. When access to the map pocket is not required ensure that the zip is fastened and the flap positioned snugly over the zip tracks.

Hoe om die Bedekking in Posisie te Pas

Fitting the Cover in Position

- 7. As die sakke gepak is moet die bedekking soos volg in posisie gepas word.

- 7. When the pouches have been packed fit the cover in position as follows:

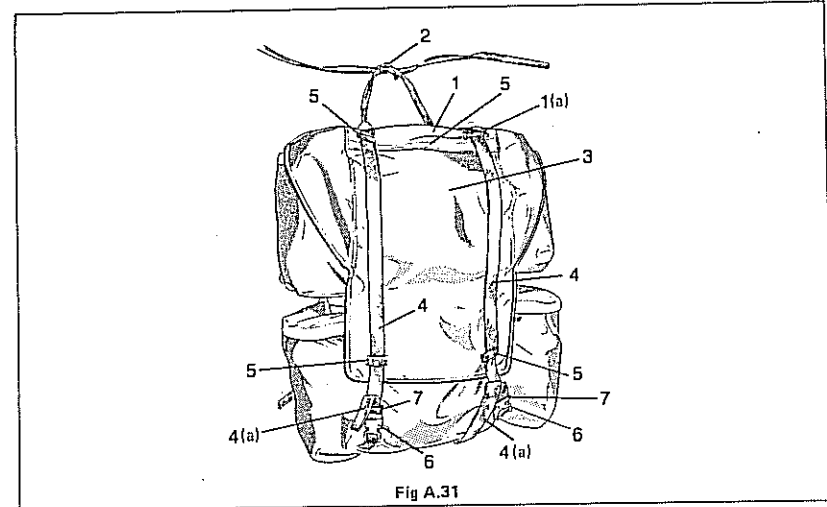


Fig A.31

- | | | | |
|----------------------------|--------------------------|----------------------------|------------------------------|
| 1. Rugsak | 4(a). Vry Punt van Band | 1. Field Pack | 4(a). Free End of Strap |
| 1(a). Toegang tot Kaartsak | 5. Lusse | 1(a). Access to Map Pocket | 5. Loops |
| 2. Draband | 6. Vroulike Snellosgespe | 2. Carrying Strap | 6. Female Quick-Release |
| 3. Bedekking | 7. Manlike Snellosgespe | 3. Cover | 7. Male Quick-Release Buckle |
| 4. Bevestigingsband | | 4. Securing Strap | |

- (1) Verwys na Fig A.31. Trek die bedekking (3) oor die sakke sodat dit goed oor die agterkant van die knapsak ahang. Verseker dat die bedekking (3) se sykappe na buite getrek is en die grootste gedeelte van die boonste waterbottelsakke bedek.
- (2) Steek die twee bevestigingsbande (4) deur die twee lusse (5) naby die onderste deel van die bedekking (3) indien dit nie reeds so geborg word nie.
- (3) Steek die manlike snellosgespe (7) in die vroulike gespe (6) en bevestig die bedekking (3) in posisie.
- (4) Indien nodig moet die twee bevestigingsbande los- of styfgemaak word om die korrekte passing te kry.

- (1) Refer to Fig A.31. Pull the cover (3) over the pouches so that it hangs well down over the rear of the pack. Ensure that the cover (3) side flaps are pulled outwards and cover most of the upper water bottle pouches.
- (2) Pass the two securing straps (4) through the two loops (5) near the lower part of the cover (3) if not already so retained.
- (3) Fit the male, quick-release buckle (7) in the female buckle (6) and secure the cover (3) in position.
- (4) If necessary, loosen or tighten the two securing straps to obtain the correct fit.

AFDELING A/2 - HOOFSTUK 4
STAALRAAMSAMESTEL

INLEIDING

1. Hierdie hoofstuk sit prosedures uiteen vir die samestelling, pas en pak van die staalraamsamestel om minimale ongerief vir die draer te verseker en om die gebruik van die staalraam te optimaliseer.

WAARSKUWING

Die sintetiese garing wat gebruik is om die stowwe te weef wat oor die raamsamestel gepas word is ontvlambaar en moet dus nie naby of in aanraking met oop vlamme geplaas word nie.

SAMESTELLINGSPROSEDURE

Afhaalbare Dele

2. Die vernaamste afhaalbare dele van die staalraamsamestel is: die twee skouerbande, die twee vasmaakbande wat aan die onderste dele van die skouerbande vas is, en die onderste en boonste steunbande. Met die uitsondering van die boonste en onderste steunbande word die afhaalbare dele met 'n gespe- en vasmaakbandinrigting aan die basiese raam vasgemaak.

3. Die boonste en onderste bande word om die basiese raam bevestig met twee driehoekige metaalstutte en 'n stuk sintetiese koord. Aangesien die verwydering en vervanging van die boonste en onderste bande in Deel B beskryf is, word die samestelling van hierdie bande nie in hierdie Hoofstuk beskryf nie.

Hoe om Gespes aan Bande te Lus

4. Om gespes aan bande te lus, kyk Fig A.16.

Hoe om Skouerbande aan Raam Vas te Maak

5. Om die skouerbande (5 en 6) en die twee vasmaakbande (8) aan die staalraam (1) vas te maak moet die volgende prosedure gevolg word (kyk Fig A.32):

(1) Vanaf die voorkant (naaste aan die draer) van die staalraam (1) moet die punt van die twee bevestigingsbande (3) vir die skouerbande (5 en 6) tussen die lusse (2) en die raam (1) deur-gesteek word.

(2) Buig die punte van die bande (3) om en onder die raam (1) en steek weer tussen die lusse (2) en die raam in. Trek die punte van die bande (3) na voor en vorm sodoende een en 'n halwe draaie om die raam (1).

SECTION A/2 - CHAPTER 4
STEEL FRAME ASSEMBLY

INTRODUCTION

1. This chapter details recommended procedures for assembling, fitting and packing the steel frame assembly to ensure minimal discomfort to the wearer and to optimise the use of the steel frame.

CAUTION

The synthetic yarn used for weaving the fabric materials fitted on the frame assembly is inflammable and therefore, shall not be placed near or in contact with naked flames.

ASSEMBLY PROCEDURE

Detachable Parts

2. The main detachable parts of the steel frame assembly are: the two shoulder straps, the two attachment straps which are attached to the lower parts of the shoulder straps, and the upper and lower support bands. With the exception of the upper and lower support bands the detachable parts are attached to the basic frame by a buckle and attachment strap arrangement.

3. The upper and lower bands are secured around the basic frame by two triangular-shaped metal bracers and a length of synthetic cord. The removal and replacement of the upper and lower bands are described in Part B, assembly of these bands is not described in this Chapter.

Looping Buckles onto Straps

4. To loop buckles onto straps, see Fig A.16.

Assembling Shoulder Straps to Frame

5. To assemble the shoulder straps (5 and 6) and the two attachment straps (8) to the steel frame (1) the following procedure should be adopted (refer Fig A.32):

(1) From the front (nearest the wearer) of the steel frame (1) pass the end of the two securing straps (3) for the shoulder straps (5 and 6) between the loops (2) and the frame (1).

(2) Bend the end of the straps (3) round and under the frame (1) and insert again between the loops (2) and the frame. Pull the end of the straps (3) forward thus forming one and a half turns round the frame (1).

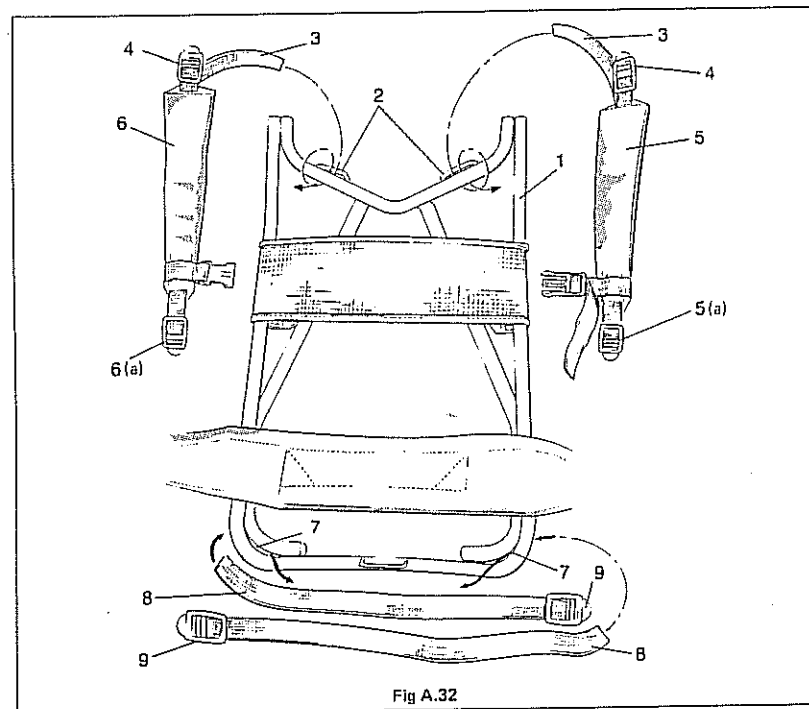


Fig A.32

- | | | | |
|---------------------|---------------------|------------------------|-------------------------|
| 1. Staalraam | 6. Regterskouerband | 1. Steel Frame | 6. Right Shoulder Strap |
| 2. Lusse | 6(a). Gespe | 2. Loops | 6(a). Buckle |
| 3. Bevestigingsband | 7. Bevestigingspunt | 3. Securing Strap | 7. Securing Point |
| 4. Gespe | 8. Vasmaakband | 4. Buckle | 8. Attachment Strap |
| 5. Linkerskouerband | 9. Gespe | 5. Left Shoulder Strap | 9. Buckle |
| 5(a). Gespe | | 5(a). Buckle | |

OPMERKING

Die is noodsaaklik dat die skouerbandbevestigingsbande (3) om die raam (1) en nie om die lus (2) nie gepas word. Die enigste doel van die lus (2) is om te voorkom dat die bande by die raam afskuif.

- (3) Lus die punte van die bevestigingsbande (3) aan die gespes (4), by die boonste punt van die skouerbande (5 en 6).
- (4) Trek die punte van die bevestigingsbande (3) styf totdat die bokant van die skouerbande (5 en 6) so na as moontlik aan die raam (1) bevestig is.
- (5) Laat die punte van die vasmaakbande (8) oor die krom gleuf (7) by die onderste hoeke van die raam (1) loop.

NOTE

It is essential that the shoulder strap securing straps (3) are fitted around the frame (1) and not the loop (2). The sole purpose of the loop (2) is to prevent the straps from sliding along the frame.

- (3) Loop the ends of the securing straps (3) onto the buckles (4), at the top end of the shoulder straps (5 and 6).
- (4) Pull the ends of the securing straps (3) tight until the top of the shoulder straps (5 and 6) are secured as close as possible to the frame (1).
- (5) Pass the ends of the attachment straps (8) around the curved slot (7) at the bottom corners of the frame (1).

- (6) Lus die punte van die vasmaakbande (8) aan die gespes (9) en trek styf totdat die gespes so na as moontlik aan die raam is.
- (7) Lus die punte van die twee vasmaakbande (8) aan hulle onderskeie gespes (5a en 6a) aan die onderste punt van die skouerbande.
- (8) Kontroleer dat albei skouerbande (5 en 6) korrek aan die raam (1) pas.

- (6) Loop the ends of the attachment straps (8) onto the buckles (9) and pull tight until the buckles are as close as possible to the frame.
- (7) Loop the end of the two attachment straps (8) onto their respective buckle (5a and 6a) at the lower end of the shoulder straps.
- (8) Check that both shoulder straps (5 and 6) are correctly fitted to the frame (1).

PAKPROSEDURE

Hoe om die Rugsak op die Raam te Pak

- 6. Om die rugsak op die staalraamsamastel te pak moet die volgende prosedure gevolg word:

PACKING PROCEDURE

Packing Field Pack onto Frame

- 6. To pack the field pack onto the steel frame assembly, the following procedure should be adopted:

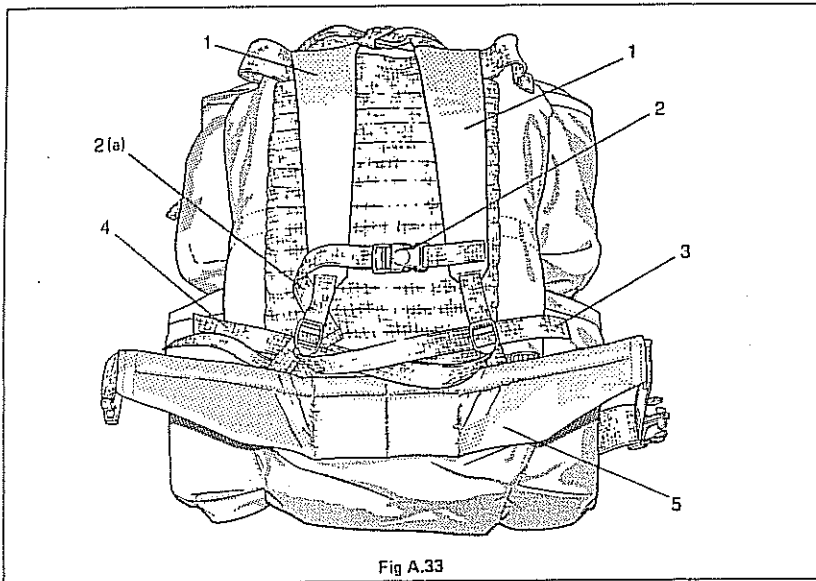


Fig A.33

- 1. Skouerband
- 2. Borsband en Gespe
- 2(a). Vry Punt van Band
- 3. Punt van Vasmaakband
- 4. Punt van Vasmaakband
- 5. Middelband

- 1. Shoulder Strap
- 2. Chest Strap and Buckle
- 2(a). Free End of Strap
- 3. End of Attachment Strap
- 4. End of Attachment Strap
- 5. Waistband

- (1) Kyk Fig A.33. Rangskik die twee skouerbande (1) sodat hulle redelik ewewydig aan mekaar is, en koppel dan die twee punte van die borsband se gespe (2).
- (2) Neem die vry punt (2a) van die borsband om die linkerskouerband (1).

- (1) Refer Fig A.33. Arrange the two shoulder straps (1) so that they are reasonably parallel to each other, then couple the two ends of the chest strap's buckle (2) together.
- (2) Pass the free end (2a) of the chest strap around the left shoulder strap (1).

- (3) Verseker dat die twee punte van die middelband (5) bo-oor die twee vasmaakbande (3 en 4) loop, wat die onderste deel van die skouerbande verbind.
- (4) Indien nodig, maak die twee vasmaakbande (3 en 4) korter om slaphed uit te skakel.
- (5) Druk die vry punt van die band (3) onder die linkerskouerband in. Druk die vry punt van die band (4) onder die regterskouerband in.
- (6) Kontroleer dat die bande korrek geïmposisioneer is soos in Fig A.33 getoon is.

- (3) Ensure that the two ends of the waistband (5) pass over the top of the two attachment straps (3 and 4), which connect to the lower part of the shoulder straps.
- (4) If necessary, shorten the length of the two attachment straps (3 and 4) to eliminate any slackness.
- (5) Tuck the free end of the strap (3) under the left shoulder strap. Tuck the free end of the strap (4) under the right shoulder strap.
- (6) Check that the straps are correctly positioned as shown in Fig A.33.

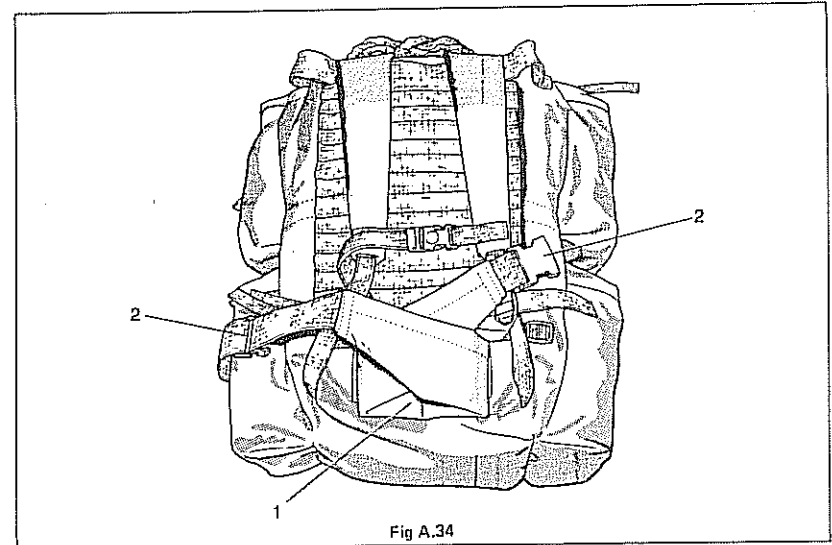


Fig A.34

- 1. Middelband
- 2. Punte van Middelbande
- 1. Waistband
- 2. Ends of Waistbands

- (7) Kyk Fig A.34. Kruis die punte (2) van die middelband (1) sodat elke punt oor die breedte van die rugsak is.
- (8) Kyk Fig. A.35. Pas die twee horings aan die bokant van die staalraamsamastel in die twee lusse (1) aan die bokant van die rugsak (draerkant).
- (9) Stoot die lus (1) af sodat die horings bo effens uitsteek.

- (7) Refer Fig A.34. Cross the ends (2) of the waistband (1) so that each end is across the width of the field pack.
- (8) Refer Fig A.35. Fit the two horns at the top of the steel frame assembly, into the two loops (1) at the top of the field pack (wearer side).
- (9) Push the loops (1) down so that the top of the horns protrude slightly.

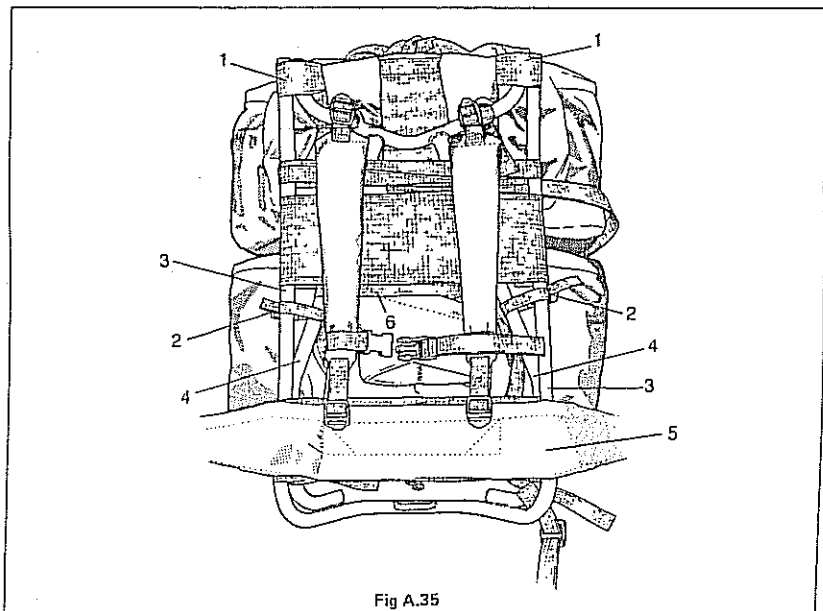


Fig A.35

- | | | | |
|-------------------------------------|----------------------------------|------------------------------|-------------------------------|
| 1. Lus | 5. Rugsakmiddelband | 1. Loop | 4. L-Shaped Frame |
| 2. Hoe om Band en Gespe Vas te Maak | 6. Band om Middelband te Verstel | 2. Securing Strap and Buckle | 5. Field Pack Waistband |
| 3. Kantraam | | 3. Side Frame | 6. Waistband Adjustable Strap |
| 4. L-vormige Raam | | | |

- (10) Pass the free ends of the field pack waistband (5) under and around the two L-shaped frames (4) so that the free ends can now be coupled together (6) and thus retained in position by the two L-shaped frames (4).
- (11) If necessary, shorten the length of the adjustable strap (6) for the field pack waistband to ensure that the field pack waistband is retained snugly in position.
- (12) Locate the two securing straps and buckles (2) which are sewn onto the wearer's side of the field pack and approximately halfway down the lower bottle pouches.
- (13) On each side, pass the securing straps (2) around the L-shaped frame (4) and the side frame (3). Loop the free end of the securing strap (2) onto the buckle.
- (14) Pull the free end of the securing strap (2) tight so that the lower part of the field pack is retained securely around the L-shaped (4) and side (3) frames of the steel frame assembly.

(15) Kontroleer en verseker dat die rugsak korrek om die staalraamsamstel gemonteer is.

(15) Check and ensure that the field pack is correctly mounted on the steel frame assembly.

Hoe om 'n Kis op die Raam te Pak

Packing Box on Frame

7. Ammunisiekkiste, gewone kiste of kratte kan op die staalraamsamstel gepak word, en die beperkings is:
- Te groot krat of kis.
 - Vrag te swaar om deur een man gedra te word.
8. Om 'n kis van 'n geskikte grootte en massa op die staalraamsamstel te pak moet die volgende prosedure gevolg word (kyk ook paragraaf 9):

7. Ammunition boxes, ordinary boxes or crates can be packed onto the steel frame assembly, limitations being:
- Box or crate excessively large.
 - Load too heavy to be carried by one man.
8. To pack a box of suitable size and mass on the steel frame assembly, the following procedure should be adopted (refer also Paragraph 9):

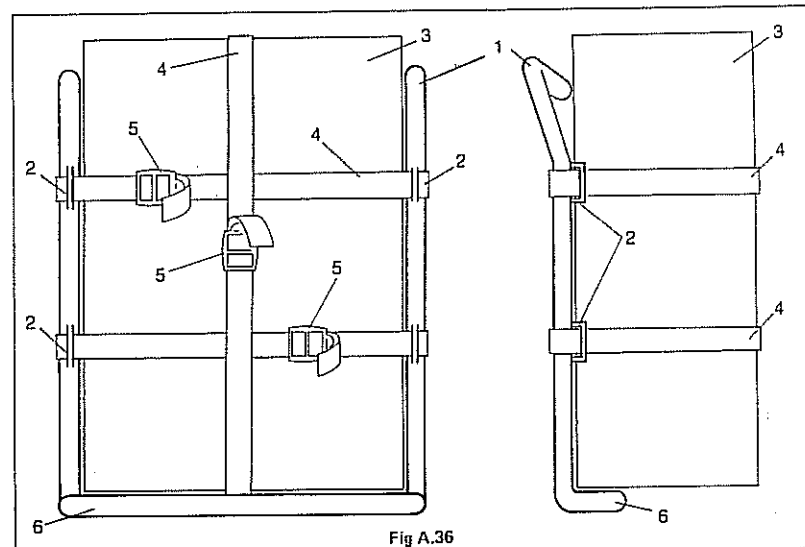


Fig A.36

- | | | | |
|--------------|---------------------|----------------|-------------------|
| 1. Staalraam | 4. Bevestigingsband | 1. Steel Frame | 4. Securing Strap |
| 2. Oor | 5. Gespe | 2. Lug | 5. Buckle |
| 3. Kis | 6. Borgdeel | 3. Box | 6. Retaining part |

- (1) Kyk Fig A.36. Plaas die L-vormige staalraam (1) op 'n redelike plat oppervlak en posisioneer dit sodat die draer se kant van die raam na onder wys.
- (2) Verwyder die drie utiliteitbevestigingsbande van die raam.
- (3) Plaas die kis (3) op die raam (1) sodat die end van die kis teen die borgdeel (6) van die raam (1) rus.
- (1) Refer Fig A.36. Place the L-shaped steel frame (1) on a reasonably flat surface and positioned such that the wearer's side of the frame is facing downwards.
- (2) Remove the three utility securing straps from the frame.
- (3) Place the box (3) on the frame (1) so that the end of the box is resting against the retaining part (6) of the frame (1).

- (4) Neem die bevestigingsband (4) (kruisband) oor die kis en deur een van die ore (2) op die kant van die raam.
- (5) Neem die band (4) agter om die raam en deur die ooreenstemmende oor (2) aan die ander kant van die raam. Lus die vry punt van die band (4) aan die gespe (5) en positioneer die gespe bo-op die kis (3) soos in Fig A.36 getoon word. Trek die vry punt van die band (4) terwyl die posisie van die gespe (5) behou word, totdat die band (4) styf is.
- (6) Herhaal stappe (4) en (5) met insluiting van die tweede kruisband.
- (7) Bevestig die kis (3) in die lengte op die staalraam (1) deur die derde bevestigingsband (4) te gebruik. Let op dat die band onder en om die staalraam moet loop voordat dit deur die oor (2) by die borgdeel (6) van die staalraam loop. Daarby word die band (4) by die boonste deel van die raam om die V-deel van die horisontale raam geneem (d.w.s. die V-vorm hou die band in posisie en 'n oor is nie nodig nie).

- (4) Pass the securing strap (4) (cross strap) across the box and through one of the lugs (2) on the side of the frame.
- (5) Take the strap (4) behind the frame and through the corresponding lug (2) on the other side of the frame. Loop the free end of the strap (4) onto the buckle (5) and position the buckle on top of the box (3) as shown in Fig. A.36. Pull the free end of the strap (4), whilst maintaining the position of the buckle (5) until the strap (4) is tight.
- (6) Repeat steps (4) and (5) inclusive with the second cross strap.
- (7) Secure the box (3) lengthways on the steel frame (1) using the third securing strap (4). Note that the strap must pass under and around the steel frame before passing through the lug (2) at the retaining part (6) of the steel frame. Moreover, at the top of the frame, the strap (4) is passed around the Vee-part of the horizontal frame (ie, the Vee-shape maintains the strap in position and thus there is no need for a lug).

Algemene Wenke om Vragte op Staalraam te Pak

9. Alle groottes kiste, kratte en sakke uitrusting kan op die staalraam gepak word mits die volgende eenvoudige reëls gevolg word:

- a. Moenie die bandborgore gebruik om die gewig van die vrag te steun nie want:
 - i. Die oor is ontwerp om die band in die beste posisie te hou en om te voorkom dat die band by die raam op- of afskuif.
 - ii. Die massa van die las en die spanning op die band kan die oor maklik afbreek.
 - iii. Die klein deursnee van die oor voorkom dat die band heeltemal styfgemaak kan word.
- b. Vir vragte breër as die staalraam moet die kruisbande deur die ore loop soos in Fig A.37 getoon word.

General Hints for Packing Loads on Steel Frame

9. All sizes of boxes, crates and bags of equipment can be packed on the steel frame provided that the following simple rules are followed:

- a. Do not use the strap retaining lugs to support the weight of the load, because:
 - i. The lug is designed to retain the strap in the best position and to prevent the strap from sliding up or down the frame.
 - ii. The mass of the load and the tension on the strap may quite easily break the lug off.
 - iii. The small diameter of the lug prevents the strap from being fully tightened.
- b. For loads wider than the steel frame, the cross straps should pass through the lugs as shown in Fig A.37.

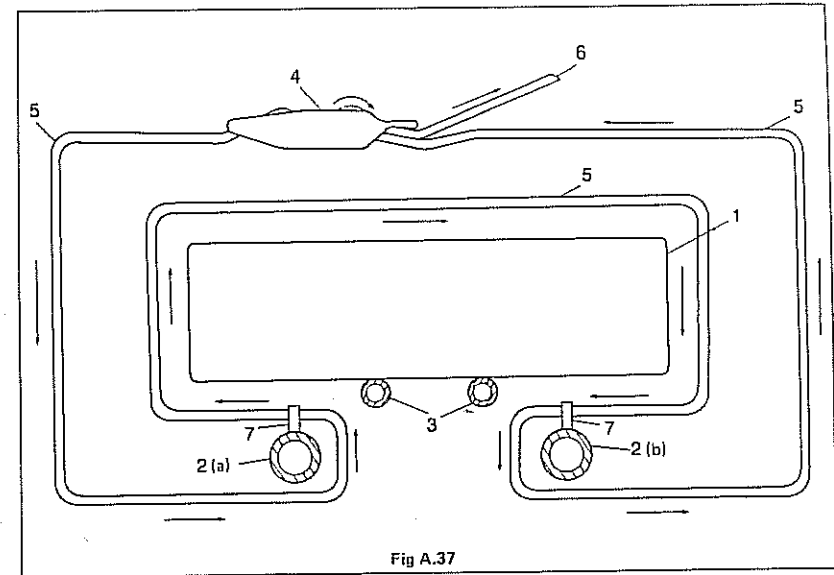


Fig A.37

- | | | | |
|-------------------|----------------------|------------------------|----------------------|
| 1. Kis of krat | 4. Gespe | 1. Box or Crate | 4. Buckle |
| 2(a). Linkerraam | 5. Bevestigingsband | 2(a). Left Side Frame | 5. Securing Strap |
| 2(b). Regterraam | 6. Vry Punt van Band | 2(b). Right Side Frame | 6. Free End of Strap |
| 3. L-vormige raam | 7. Oor | 3. L-Shaped Frame | 7. Lug |
- i. Kyk Fig A.37. Neem die vry punt (6) van die band (5) en neem dit onder en om die linkerraam (2a) en dan deur die oor (7).
 - ii. Volg die pyle, neem die band om die vrag, deur die oor (7) aan die regterraam (2b) en terug na die gespe.
 - c. Vir vragte smaller as die staalraam moet die kruisbande deur die ore loop soos in Fig A.38 getoon is.
- i. Refer to Fig A.37. Take the free end (6) of the strap (5) and pass it under and around the left side frame (2a) and then through the lug (7).
 - ii. Following the arrows, pass the strap round the load, through the lug (7) on the right of the frame (2b) and back to the buckle.
 - c. For loads narrower than the steel frame, the cross straps should pass through the lugs as shown in Fig A.38.

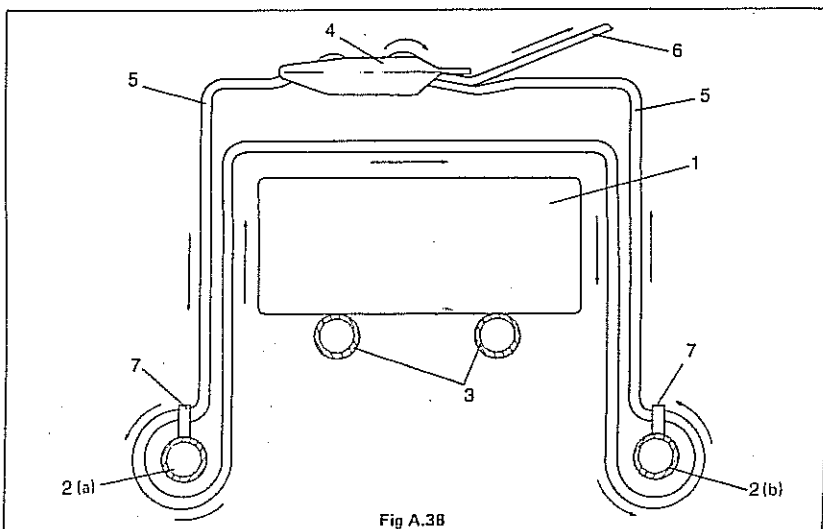


Fig A.38

- | | | | |
|-------------------|----------------------|------------------------|----------------------|
| 1. Kis of Krat | 4. Gespe | 1. Box or Crate | 4. Buckle |
| 2(a). Linkerraam | 5. Bevestigingsband | 2(a). Left Side Frame | 5. Securing Strap |
| 2(b). Regterraam | 6. Vry Punt van Band | 2(b). Right Side Frame | 6. Free End of Strap |
| 3. L-vormige Raam | 7. Oor | 3. L-Shaped Frame | 7. Lug |

- i. Kyk Fig A.38. In hierdie geval word die vry punt (6) van die band (5) deur die oor geneem en dan om die linkerraam (2a).
- ii. Volg weer die pyle en neem die band om die vrag, om die regterraam (2b) en deur die oor (7) terug na die gespe.
- d. Vir alle tipes vragte moet die bevestigingsband (5) wat die vrag in die lengte bevestig (d.w.s. van bo na onder) altyd om die vrag en staalraam loop soos in Fig A.39 getoon word.
- i. Refer to Fig A.38. In this case the free end (6) of the strap (5) is passed through the lug (7) and then round the left hand frame (2a).
- ii. Again following the arrows, take the strap around the load, round the right hand frame (2b) and through the lug (7) back to the buckle.
- d. For all types of loads the securing strap (5) which secures the load lengthways (ie, from top to bottom) should always be passed around the load and steel frame as shown in Fig A.39.

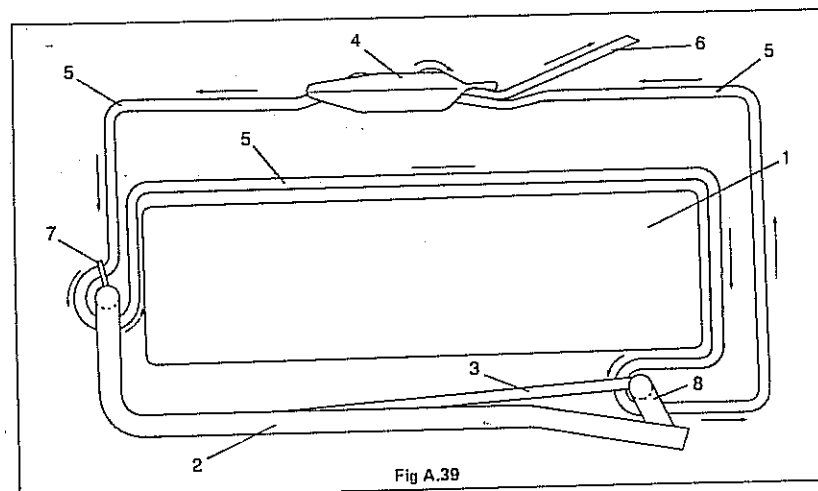


Fig A.39

- | | | | |
|-------------------|----------------------|-------------------|----------------------|
| 1. Vrag | 5. Bevestigingsband | 1. Load | 5. Securing Strap |
| 2. Kantraam | 6. Vry Punt van Band | 2. Side Frame | 6. Free End of Strap |
| 3. L-vormige Band | 7. Oor | 3. L-Shaped Frame | 7. Lug |
| 4. Gespe | 8. Horizontale Balk | 4. Buckle | 8. Horizontal Bar |

- i. Kyk Fig A.39. Die vry punt (6) van die band (5) loop deur die oor (7) voordat dit om en onder die borgdeel van die kantraam (2) loop en dan, bo, tussen die vrag en die horizontale balk (8) eerste voordat dit om en onder die horizontale balk (8) loop.
- i. Refer to Fig A.39. The free end (6) of the strap (5) passes through the lug (7) before passing around and under the retaining part of the side frame (2) and then, at the top end, between the load and the horizontal bar (8) first before passing around and under the horizontal bar (8).
- e. Die gespe (4) word altyd bo-op die vrag (1) geposisioneer.
- e. The buckle (4) is always positioned on top of the load (1).

Hoe om Utiliteitsbevestigingsbande te Stoor

Stowing Utility Securing Straps

- 10. Drie utiliteitsbande (3) word gewoonlik gebruik om die vrag aan die staalraamsamastel (1) te bevestig. As hulle nie in gebruik is nie moet hulle om die raam gedraai word om te voorkom dat hulle verloor en om die rugsteun te verbeter. Die metode waarvolgens die stoorwerk plaasvind is soos volg (kyk Fig A.40):
- 10. The three utility securing straps (3) are normally used for securing the load to the steel frame assembly (1). When not in use they should be wound around the frame to prevent them from being lost and to increase the back support area. The method of stowing is as follows (refer Fig A.40):

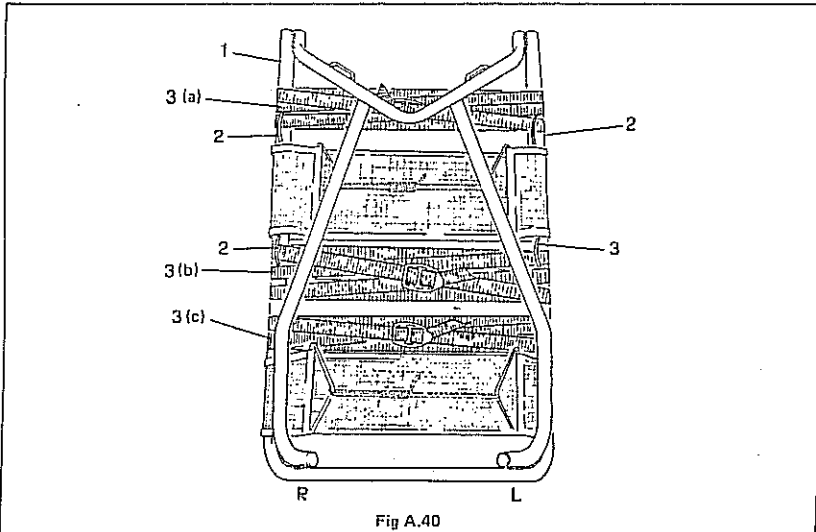


Fig A.40

- | | | | |
|-------------------------------|------------------------------|------------------------------------|-----------------------------------|
| 1. Staalraam | 3(b). Band, Onder, Stoorplek | 1. Steel Frame | 3(c). Strap, Lower, Stowage Place |
| 2. Oor | L. Linkerkant | 2. Lug | L. Left Side |
| 3(a). Band, Bo, Stoorplek | R. Regterkant | 3(a). Strap, Upper, Stowage Place | R. Right Side |
| 3(b). Band, Middel, Stoorplek | | 3(b). Strap, Centre, Stowage Place | |

OPMERKING

Die volgende instruksies verwys na die boonste stoorplek.

- (1) Neem die vry punt van die band (3a) deur die oor (2) aan die linkerkant (L) en om die linkerkant (L). Neem dan die band (3a) oor die voorkant (d.w.s. draarkant) om die regterraam en deur die oor (2) aan die regterraam.
- (2) Nadat dit deur die regteroor (2) geloop het, loop die punt van die band (3a) net bokant die linkeroor, om die linkerraam en oor die voorkant.
- (3) Neem dan die band (3a) om die regterraam en dan om die linkerraam, net bokant die tweede plek waar dit oorloop. Laat dit oor die voorkant en om die regterraam loop.
- (4) Lus die vry punt van die band (3a) aan die gespe en trek styf. As u die band stywer maak, verseker dat dit elke keer net bo-kant loop en nie oorleuel nie.

NOTE

The following instructions are in reference to the upper stowage place.

- (1) Pass the free end of the strap (3a) through the lug (2) on the left side (L) and around the left (L) side frame. Then pass the strap (3a) across the front (ie, wearer side) around the right side frame and through the lug (2) on the right side frame.
- (2) After passing through the right lug (2) the end of the strap (3a) passes just above the left lug, around the left side frame and across the front.
- (3) Then pass the strap (3a) around the right side frame and then around the left side frame, just above the second pass. Continue across the front and around the right side frame.
- (4) Loop the free end of the strap (3a) onto the buckle and tighten. When tightening the strap, ensure that each pass is just above the other and not overlapping.

OPMERKING

Die middel- en onderste bande (3b en 3c) word eers deur die regteroor geneem en dan na onder oor die raam gedraai. As die middel- en onderste bande deur die regteroor begin sal dit verseker dat alle plekke waar die band loop dieselfde lyk.

NOTE

The centre and lower straps (3b and 3c) are first passed through the right lug and then wound downwards around the frame. Starting the centre and lower straps through right lug will ensure that all strap passes look the same.