

THE PURE COMPANY

LARGE ROOM

AIR PURIFIER

QUICKSTART GUIDE

Hello there!

Meet your new Pure Company  
Large Room Air Purifier.

Please keep this booklet in a safe  
spot for future reference.



## Getting started

Flip over this card to read our easy-to-follow instructions for setting up and operating your Pure Company Large Room Air Purifier. Or, if you prefer to watch how it's done, you can find our Large Room Air Purifier video—along with our other product videos—at [thepurecompany.com/support](https://thepurecompany.com/support).

To order replacement filters and aromatherapy pads, or to shop our full assortment of 100% Pure Essential Oils and decorative wraps, please visit us at [thepurecompany.com/support](https://thepurecompany.com/support).

**WARNING!** For important safety, operation and warranty information and instructions, please see the full owner's manual located at [thepurecompany.com/support](https://thepurecompany.com/support).

## Have a question? Need help?

We're here for you.

- 1.800.572.6228
- [support@thepurecompany.com](mailto:support@thepurecompany.com)
- Live Chat at [thepurecompany.com](https://thepurecompany.com)

(Please include your order number with your query.)

## Need Replacements?

To order replacement filters, visit [thepurecompany.com/support](https://thepurecompany.com/support).

flip me  
over

## Setting up your Large Room Air Purifier

When moving your air purifier, please always lift it firmly with two hands.

### STEP ONE

Choose a stable, level surface to place your Large Room Air Purifier.

### STEP TWO

- Slide the lock at the base of the air purifier to the right to unlock; use both hands to lift off the body. Set aside.
- Remove the protective cover from the True HEPA and Carbon Pre-Filter, and re-insert the filters back into the base.
- Place the body back onto the base and slide the lock to the left to secure.

### STEP THREE (OPTIONAL)

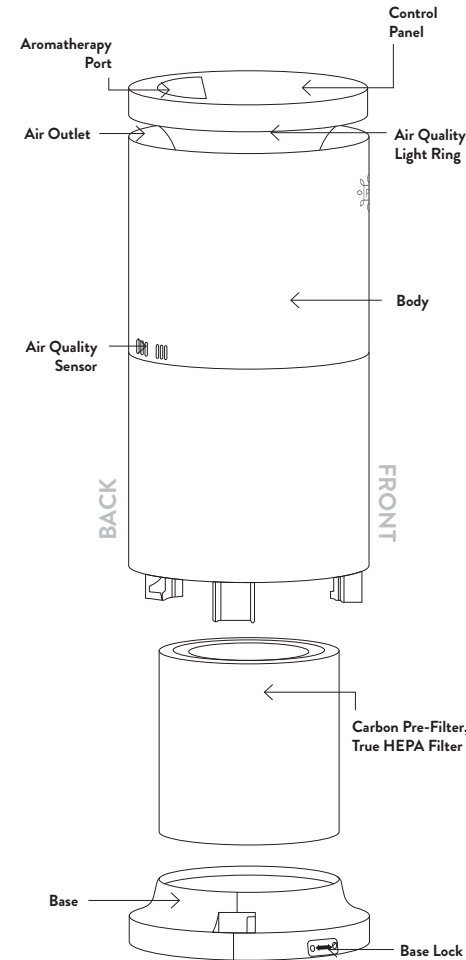
To use the aromatherapy feature:

- Click open the aromatherapy port lid by pressing it one time. Remove the aromatherapy tray by pressing down to release.
- Remove the Aromatherapy Pad from the tray by pushing the pad up from the opening at the bottom. Place the Aromatherapy Pad on a paper towel and drop 3–7 drops of The Pure Company 100% Pure Essential Oil on the pad. Be sure to place the paper towel on a safe, non-porous surface and avoid saturating the pad.
- Place the Aromatherapy Pad back into the tray, insert the tray back into the port, press down to lock into position and close the lid. When it clicks shut, it's securely in place.

**NOTE:** We recommend replacing the Aromatherapy Pad every 5–10 uses or whenever you want to use a different Pure Company 100% Pure Essential Oil. Pads should not be washed. To order replacement pads, please visit us at [thepurecompany.com/support](http://thepurecompany.com/support).

### STEP FOUR

Plug the power cord into an electrical outlet.



## Operating your Large Room Air Purifier

### POWER BUTTON

Press this button to turn your air purifier on and off.

**NOTE:** The base lock must be engaged for the air purifier to power on.

**NOTE:** Remove the clear protective cover from the power button.

### LIGHT BUTTON

Press this button to adjust the brightness of the air quality light ring and control panel lights.

When your air purifier is powered on, the air quality light ring and control panel lights are set at Bright. Each single press of the button will advance you through the light level settings, as follows:

- Light Ring: Dim / Control Panel: Dim
- Light Ring: OFF / Control Panel: Dim
- Light Ring: OFF / Control Panel: OFF
- Light Ring: Bright / Control Panel: Bright

The color of the air quality light ring lets you know which cleaning mode level your air purifier is operating at:

- CLEAR: All clean!
- BLUE: Light cleaning mode
- PURPLE: Regular cleaning mode
- PINK: Super-cleaning mode

### AIR SPEED BUTTON

Press this button to adjust the fan speed.

When your air purifier is powered on, the fan speed is set to Auto Mode. In Auto Mode the fan will automatically adjust its speed to the room's air quality.

- LEVEL A: Auto Mode
- Each single press of the button will advance you through the speed level settings, as follows:
- LEVEL 1: Slow
  - LEVEL 2: Medium Slow
  - LEVEL 3: Medium Fast
  - LEVEL 4: Fast
  - SLEEP MODE: Air purifier is set to Low and all lights turn off for 8 hours

### TIMER BUTTON

After you set your preferred air speed, press this button to choose the cleaning cycle length. Each single press of the button will advance you through the duration settings, as follows:

- 2 Hours
- 4 Hours
- 6 Hours
- 8 Hours
- 10 Hours
- 12 Hours

The timer light will indicate how much time remains in the cycle, and the air purifier will stop automatically when it completes its cycle.

### FILTER LIGHT

The filter light will illuminate red when your True HEPA Filter needs to be replaced. Depending on your room's environment, the Carbon Pre-Filter may need to be replaced more frequently. We recommend checking the Carbon Pre-Filter every 30 days. When its initial black color appears gray from dust and debris, it's time to replace it.

Replacement filters, and video instructions for replacing them, are available at [thepurecompany.com/support](http://thepurecompany.com/support).

