

THE PURE COMPANY

AROMATHERAPY
DIFFUSER

QUICKSTART GUIDE

Hello there!

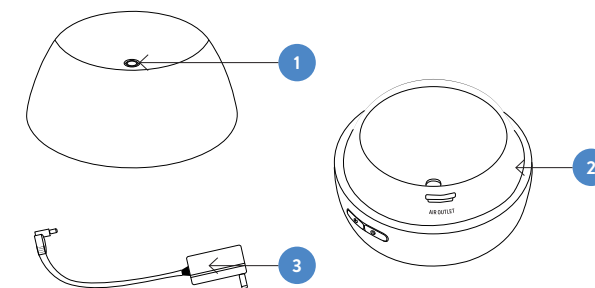
Meet your new Pure Company
Aromatherapy Diffuser.



Please keep this booklet in a safe spot for
future reference.

What's in this box

1. Cover
2. Water tank
3. Power Adapter



Getting started

Flip over this card to read our easy-to-follow instructions for setting up
and operating your Pure Company Aromatherapy Diffuser. You can also
view our full owner's manual at thepurecompany.com/support.

To shop our custom collection of 100% pure essential oils and see
our Aromatherapy Diffuser in additional colors, please visit us at
thepurecompany.com/support.

WARNING! For important safety, operation and warranty
information and instructions, please see the full owner's manual located
at thepurecompany.com/support.

Have a question? Need help?

We're here for you.

- 1.800.572.6228
- support@thepurecompany.com
- Live Chat at thepurecompany.com

(Please include your order number with your query.)

Need Replacements?

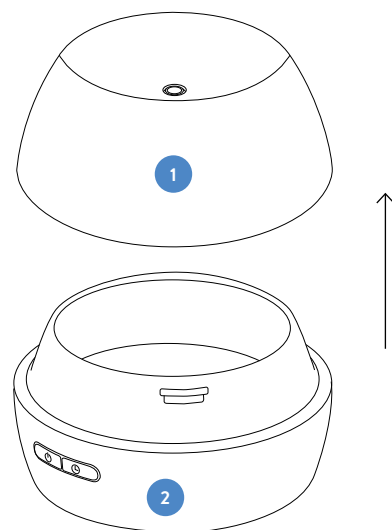
To order essential oils, visit thepurecompany.com/support.

flip me
over

SETTING UP & OPERATING YOUR AROMATHERAPY DIFFUSER

STEP ONE

Remove the cover (1) from the water tank (2).



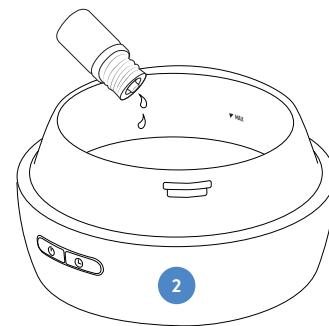
STEP TWO

Fill the water tank (2) with tap or filtered water up to the max line.



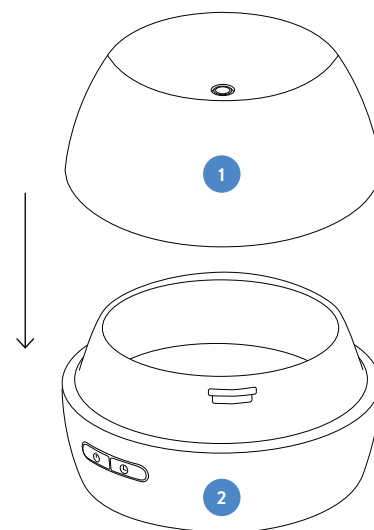
STEP THREE

Add 5–10 drops of pure essential oil to the water.




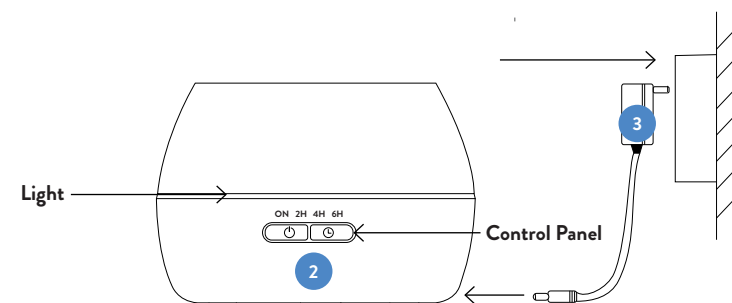
STEP FOUR

Place the cover (1) back on the water tank (2).



STEP FIVE


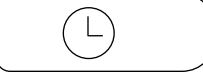
- Plug the power adapter (3) into the back of the water tank (2), being careful to keep the diffuser level.
- Plug the other end of the power adapter (3) into an electrical outlet.
- Push  to turn on. Set the timer to control when the diffuser turns off, or allow it to turn off automatically when its empty. The green timer light will indicate the amount of time remaining.



To clean your Pure Company Aromatherapy Diffuser, gently wipe the outside with a soft, damp cloth.

The owner's manual for your Pure Company Aromatherapy Diffuser (including additional care and cleaning instructions), and its warranty information, are available online at thepurecompany.com/support.

CONTROL PANEL INSTRUCTIONS

BUTTON	PRESS	RESULT
 Power/Mist	First Time	Mist On, Light On
	Second Time	Mist On, Light Off
	Third Time	Turn Off
	Press & Hold 2 Seconds	Weak Mist
	Press & Hold 2 Seconds	Regular Mist
*  Timer	First Time	2 Hours
	Second Time	4 Hours
	Third Time	6 Hours

*Turn the unit on to set the timer.

WARNING:

- Do not shake, move or add water while the diffuser is plugged in.
- Keep the product out of reach of children.
- Do not handle any part of the diffuser or adapter when your hands are wet.
- Unplug the diffuser during filling and cleaning.
- The diffuser will not work without water.
- Do not tilt diffuser while it contains water and/or is still plugged in.
- Do not set on or use near wood surfaces.
- Empty diffuser of excess water by pouring water away from side with electrical port or buttons.