

CYL-UPDN

Up/Down Cylinder Luminaire

Project:	
Type:	
Catalog #:	

STANDARD



FEATURES

- Available in 3000k (warm white), 4000k (neutral white), and 5000k (cool white) color temperatures.*
- Long-life LEDs provide up to 153,000 hours of operation with at least 70% of initial lumen output (L_{70}).**
- CYL-UPDN provides a range of 2,446 to 2,509 nominal lumens and 82 lumens per watt (lm/W).*
- Internal switch allows a choice of down light or up/down light.
- 120 AC voltage (50/60Hz) is standard.
- Power factor ≥ 0.90 .
- Color rendering index ≥ 80 .
- Aluminum housing and glass lenses.
- Dark bronze power coat finish.
- Easy installation in new construction or retrofit.

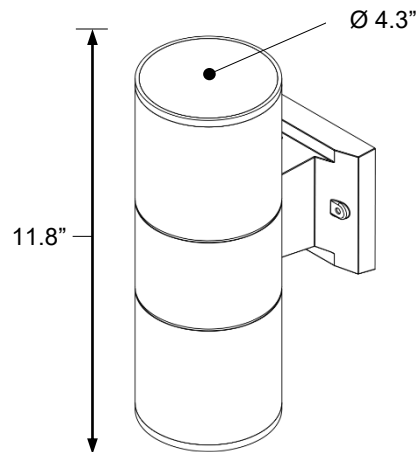
* Contact factory for other color temperatures and lumen packages.
 ** L_{70} hours are IES TM-21-11 calculated hours.



WARRANTY & LISTINGS

- cETLus listed for wet locations.
- Energy Star qualified.
- Complies with FCC Part 15, Class B.
- Complies with EN61000-4-5, surge immunity protection (1kV).
- RoHS compliant.
- 5-year warranty of all electronics and housing.

DIMENSIONS



Diameter	Height	Weight
4.3"	11.8"	2.7 lbs.

ORDERING INFORMATION

Example: CYL-UPDN-2L-3K-120V

Series	Nominal Lumen Output		Color Temperature		Voltage	
	CYL-UPDN	2L	2,000 lumens	3K	3000k	120V
			4K	4000k		
			5K	5000k		