

PROJECT NAME: _____ CAT. #: _____
 NOTES: _____ FIXTURE SCHEDULE: _____

WallMax Open Face Wall Packs

WPOP Series



Fixture with Wire Guard



Fixture with Visor



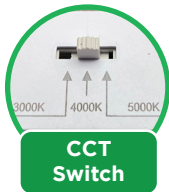
Fixture with Wire Guard & Visor



Sensor Window



Cover included



CCT Switch



Wattage Switch

Product Description:

The new generation of WallMax Open Face LED Wall Packs provides flexibility for distributors and contractors with field-selectable CCTs, wattages (55W and 120W models) and field-installable controls. The housing has been enlarged to cover HID fixture footprints and accommodate battery backup in all sizes. The Wall Packs feature a controls-ready receptacle compatible with c-Max controls. The simple plug-and-play sensor receptacle enables c-Max control nodes to be added at the time of installation, or in the future, as well as allowing for future control upgrades without changing the fixture. The receptacle is located at the bottom of the fixture and looks through a window, which minimizes the impact on the fixture aesthetics. A cover is included to hide the window when controls are not used.

Features:

- CCT selectable between 3000K, 4000K or 5000K
- Controls Ready - simple plug and play Sensor Receptacle/Socket enables installation of c-Max control nodes without changing the fixture
- Sealed housing - control nodes are mounted internally without impacting the fixture sealing or aesthetics
- High Voltage Option: 277-480V
- Battery Backup Options - 0°C and -20°C
- Avi-On Network Controls Option available
- CRI: ≥80

Construction:

- Rugged die cast housing with corrosion resistant polyester powder paint finish
- Impact resistant borosilicate glass
- Covers old HID footprints (14" and 18")
- 4 x 1/2" conduit holes, one on each side for surface conduit applications



Check out our product video at:
<https://www.youtube.com/watch?v=G56j61b5PSM>

MaxLite Makes It!
 Don't see what you need? Additional wattages and specifications available upon request - contact your MaxLite rep!

Ordering Structure

| FAMILY | WATTAGE (NOMINAL) | VOLTAGE | - | CCT | COLOR | CONTROLS OPTIONS | EM OPTIONS |
|-----------------------------------|---|---|---|--|--|--|---|
| WPOP= WallMax Open Face Wall Pack | 28= 28W 40= 40W 55= 55W 80= 80W 120= 120W | U= Universal 120-277V H= High Voltage 277-480V | - | CS= 3/4/5K WCS'= 3/4/5K, Wattage Selectable | B= Dark Bronze <i>Contact MaxLite for additional finishes</i> | AV= Avi-On Network Controls CR= Controls Ready Port | BLANK= None EM0= Battery Backup 0°C EM2= Battery Backup -20°C |

Ordering Notes:

1. Available in 55W (28/40/55) and 120W (80/100/120) in Universal Voltage 120-277V
 Bi-level dimming only works on highest wattage setting

Stocked Items

| STOCKED ITEMS | ORDER CODE | DLC ID # | STOCKED ITEMS | ORDER CODE | DLC ID # |
|----------------|------------|----------|-----------------|------------|----------|
| WPOP28U-CSBCR | 104898 | PLBJPNHX | WPOP80U-CSBCR | 104901 | PGJ4N743 |
| WPOP40U-CSBCR | 104899 | PET2F3DX | WPOP120U-CSBCR | 104902 | PO7X4VS2 |
| WPOP55U-CSBCR | 104900 | P4LZGCHW | WPOP120U-WCSBCR | 105519 | PH19YKZV |
| WPOP55U-WCSBCR | 105518 | PRFGPVAN | | | |

Control Ready Rectangle Node Installation Video:



<https://www.youtube.com/watch?v=oPkLDP65mr8&feature=youtu.be>



10-year standard warranty with labor allowance* (further details available at www.maxlite.com/warranties)

*Warranty Limitations: Product must be rated for the application per the Product Data Sheet (PDS); operated ≤16 hrs/day; in ambient of -29°F to 104°F. *Up to \$25/unit; labor allowances of up to \$500/unit available for purchase – contact MaxLite representative for details.

WallMax Open Face Wall Packs

WPOP Series

Specifications

| | WPOP28 | WPOP40 | WPOP55 | WPOP80 | WPOP120 |
|---------------------|---|---------|---------|---------|----------|
| Nominal Wattage (W) | 28 | 40 | 55 | 80 | 120 |
| Output (lm) | ≥ 3,300 | ≥ 4,700 | ≥ 6,400 | ≥ 9,600 | ≥ 14,000 |
| Efficacy (lm/W) | min 120 | min 120 | min 120 | min 120 | min 120 |
| CCT | Selectable between 3000K, 4000K or 5000K | | | | |
| CRI | >80 | | | | |
| Dimming | 0-10V and High-end trim | | | | |
| Power Factor | >0.90 | | | | |
| Input Voltage | 120-277V, 277-480V option | | | | |
| Surge Protection | 6kV integral to the driver, 20kA available as an option | | | | |
| Housing | Die Cast Aluminum with polyester powder coat paint finish | | | | |
| Lens | Borosilicate Glass | | | | |
| Listings | DLC Premium, cULus, FCC | | | | |
| Environment | Wet locations and IP65 | | | | |
| Warranty | 10-year standard warranty* | | | | |

Accessories

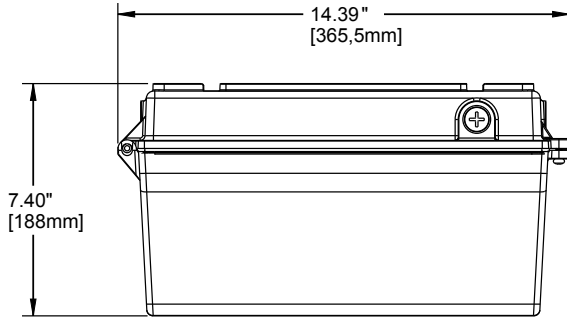
| MODEL # | ORDER CODE | DESCRIPTION | IMAGE |
|---------------|------------|--|---|
| WPOP-SVISOR-B | 106160 | VISOR SMALL HOUSING (28-55W), BRONZE |  |
| WPOP-LVISOR-B | 106161 | VISOR LARGE HOUSING (80-120W), BRONZE |  |
| WPOP-SWG | 106162 | WIRE GUARD SMALL HOUSING 28-55W |  |
| WPOP-LWG | 106163 | WIRE GUARD LARGE HOUSING 80-120W |  |
| CN-RTPCT | 105568 | C-MAX PHOTOCELL NODE RECTANGULAR |  |
| CN-RTMST | 105564 | C-MAX RECTANGULAR MOTION SENSOR/PC, REQUIRES REMOTE CONTROL TO PROGRAM |  |
| CN-REMOTE | 105567 | C-MAX REMOTE CONTROL, AT LEAST ONE REQUIRED PER PROJECT TO PROGRAM MOTION SENSOR |  |

WallMax Open Face Wall Packs

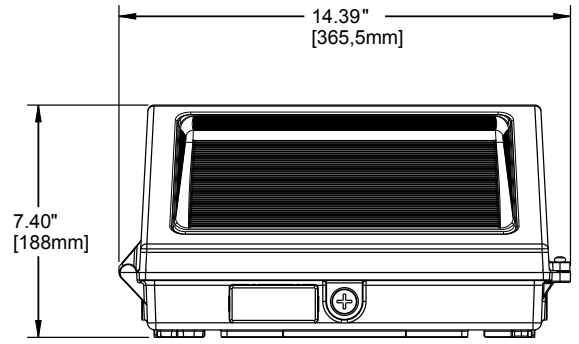
WPOP Series

Dimensions

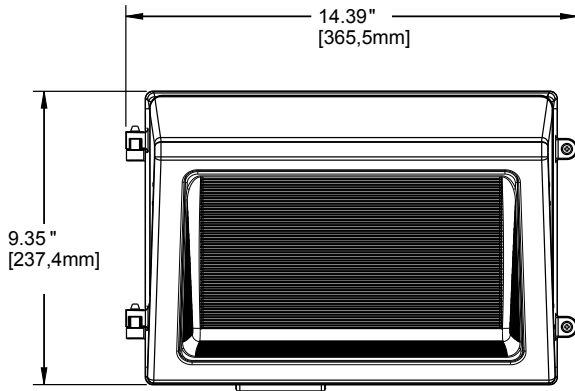
28-55W



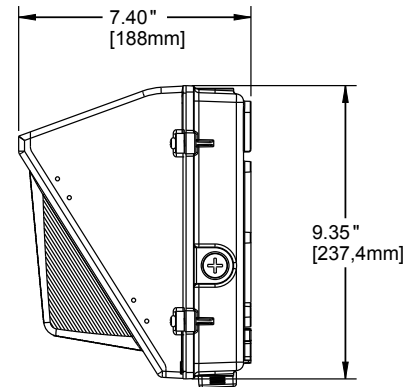
Top View



Bottom View



Front View



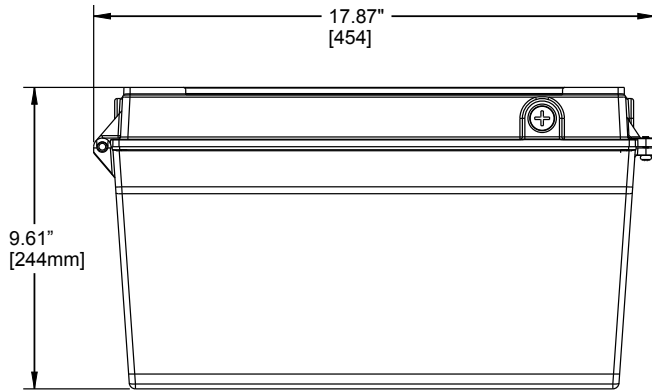
Side View

WallMax Open Face Wall Packs

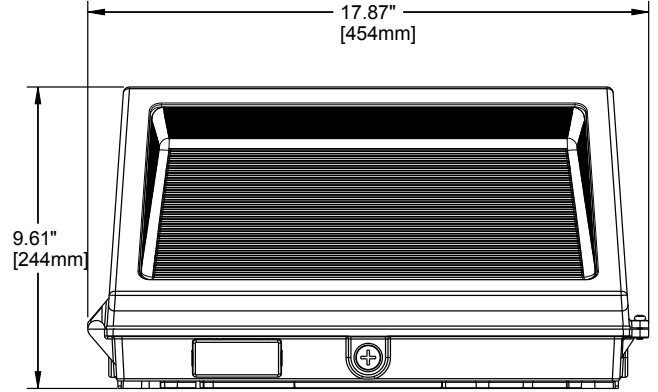
WPOP Series

Dimensions

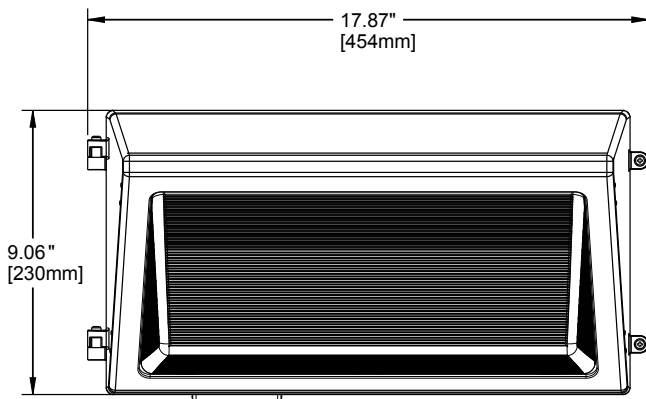
80-120W



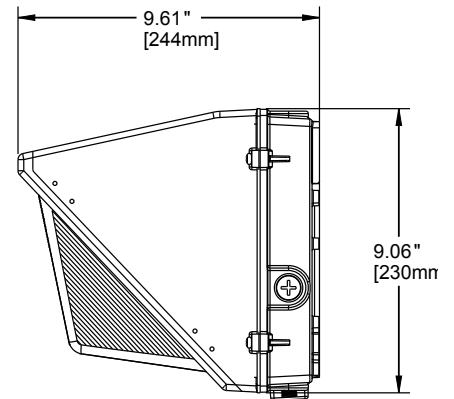
Top View



Bottom View



Front View



Side View

WallMax Open Face Wall Packs WPOP Series

ISOFOOTCANDLE:

Each gridline represents one mounting height.
For mounting heights other than noted multiply FC by the below factor.

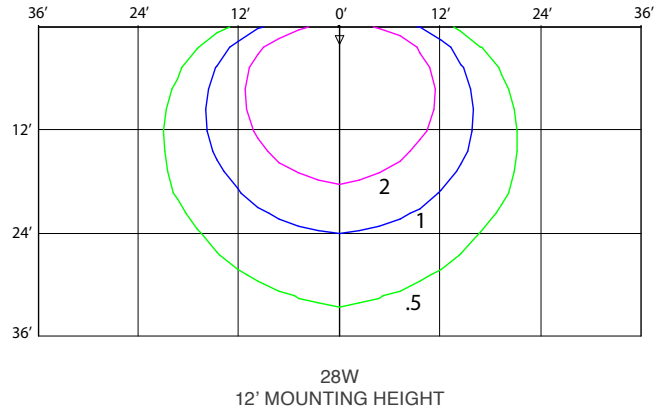
$$\text{Factor} = \frac{(\text{Chart's Mtg Height})^2}{(\text{Actual Mtg Height})^2}$$

Layouts based on 3000K. Results are 3-5% more for 4000/5000K. Consult IES file for more precise calculations.

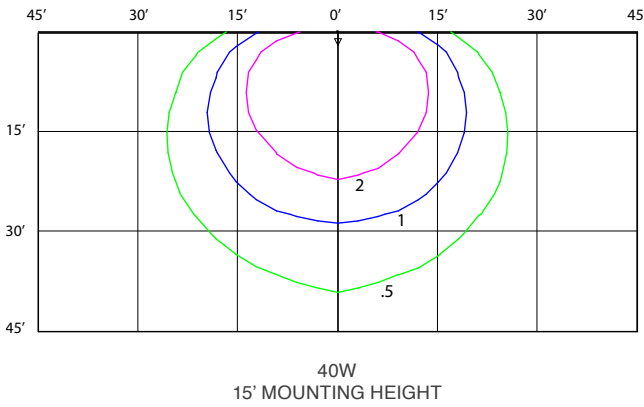
LEGEND

- 0.5 fc
- 1 fc
- 2 fc

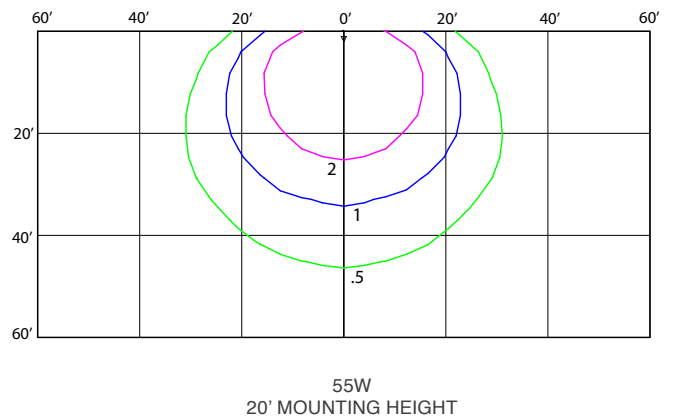
WPOP28



WPOP40



WPOP55



WPOP80



WPOP120

