

PROJECT NAME: _____ CAT. #: _____
 NOTES: _____ FIXTURE SCHEDULE: _____

WallMax Open Face Wall Packs

WPOP Series



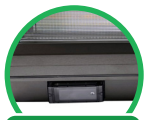
Fixture with Wire Guard



Fixture with Visor



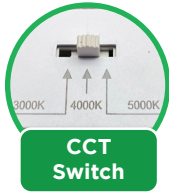
Fixture with Wire Guard & Visor



Sensor Window



Cover included



CCT Switch



Wattage Switch

Product Description:

The new generation of WallMax Open Face LED Wall Packs provides flexibility for distributors and contractors with field-selectable CCTs, wattages (55W and 120W models) and field-installable controls. The housing has been enlarged to cover HID fixture footprints and accommodate battery backup in all sizes. The Wall Packs feature a controls-ready receptacle compatible with c-Max controls. The simple plug-and-play sensor receptacle enables c-Max control nodes to be added at the time of installation, or in the future, as well as allowing for future control upgrades without changing the fixture. The receptacle is located at the bottom of the fixture and looks through a window, which minimizes the impact on the fixture aesthetics. A cover is included to hide the window when controls are not used.

Features:

- CCT selectable between 3000K, 4000K or 5000K
- Controls Ready - simple plug and play Sensor Receptacle/Socket enables installation of c-Max control nodes without changing the fixture
- Sealed housing - control nodes are mounted internally without impacting the fixture sealing or aesthetics
- High Voltage Option: 277-480V
- Battery Backup Options - 0°C and -20°C
- Avi-On Network Controls Option available
- CRI: ≥80

Construction:

- Rugged die cast housing with corrosion resistant polyester powder paint finish
- Impact resistant borosilicate glass
- Covers old HID footprints (14" and 18")
- 4 x 1/2" conduit holes, one on each side for surface conduit applications



Check out our product video at:
<https://www.youtube.com/watch?v=G56j61b5PSM>

MaxLite Makes It!
 Don't see what you need? Additional wattages and specifications available upon request - contact your MaxLite rep!

Ordering Structure

FAMILY	WATTAGE (NOMINAL)	VOLTAGE	-	CCT	COLOR	CONTROLS OPTIONS	EM OPTIONS
WPOP= WallMax Open Face Wall Pack	28= 28W 40= 40W 55= 55W 80= 80W 120= 120W	U= Universal 120-277V H= High Voltage 277-480V	-	CS= 3/4/5K WCS'= 3/4/5K, Wattage Selectable	B= Dark Bronze <i>Contact MaxLite for additional finishes</i>	AV= Avi-On Network Controls CR= Controls Ready Port	BLANK= None EM0= Battery Backup 0°C EM2= Battery Backup -20°C

Ordering Notes:

1. Available in 55W (28/40/55) and 120W (80/100/120) in Universal Voltage 120-277V
 Bi-level dimming only works on highest wattage setting

Stocked Items

STOCKED ITEMS	ORDER CODE	DLC ID #	STOCKED ITEMS	ORDER CODE	DLC ID #
WPOP28U-CSBCR	104898	PLBJPNHX	WPOP80U-CSBCR	104901	PGJ4N743
WPOP40U-CSBCR	104899	PET2F3DX	WPOP120U-CSBCR	104902	PO7X4VS2
WPOP55U-CSBCR	104900	P4LZGCHW	WPOP120U-WCSBCR	105519	PH19YKZV
WPOP55U-WCSBCR	105518	PRFGPVAN			

Control Ready Rectangle Node Installation Video:



<https://www.youtube.com/watch?v=oPkLDP65mr8&feature=youtu.be>



10-year standard warranty with labor allowance* (further details available at www.maxlite.com/warranties)

*Warranty Limitations: Product must be rated for the application per the Product Data Sheet (PDS); operated ≤16 hrs/day; in ambient of -29°F to 104°F. *Up to \$25/unit; labor allowances of up to \$500/unit available for purchase – contact MaxLite representative for details.

WallMax Open Face Wall Packs

WPOP Series

Specifications

	WPOP28	WPOP40	WPOP55	WPOP80	WPOP120
Nominal Wattage (W)	28	40	55	80	120
Output (lm)	≥ 3,300	≥ 4,700	≥ 6,400	≥ 9,600	≥ 14,000
Efficacy (lm/W)	min 120	min 120	min 120	min 120	min 120
CCT	Selectable between 3000K, 4000K or 5000K				
CRI	>80				
Dimming	0-10V and High-end trim				
Power Factor	>0.90				
Input Voltage	120-277V, 277-480V option				
Surge Protection	6kV integral to the driver, 20kA available as an option				
Housing	Die Cast Aluminum with polyester powder coat paint finish				
Lens	Borosilicate Glass				
Listings	DLC Premium, cULus, FCC				
Environment	Wet locations and IP65				
Warranty	10-year standard warranty*				

Accessories

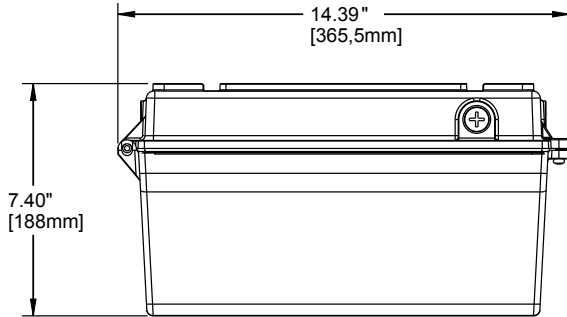
MODEL #	ORDER CODE	DESCRIPTION	IMAGE
WPOP-SVISOR-B	106160	VISOR SMALL HOUSING (28-55W), BRONZE	
WPOP-LVISOR-B	106161	VISOR LARGE HOUSING (80-120W), BRONZE	
WPOP-SWG	106162	WIRE GUARD SMALL HOUSING 28-55W	
WPOP-LWG	106163	WIRE GUARD LARGE HOUSING 80-120W	
CN-RTPCT	105568	C-MAX PHOTOCELL NODE RECTANGULAR	
CN-RTMST	105564	C-MAX RECTANGULAR MOTION SENSOR/PC, REQUIRES REMOTE CONTROL TO PROGRAM	
CN-REMOTE	105567	C-MAX REMOTE CONTROL, AT LEAST ONE REQUIRED PER PROJECT TO PROGRAM MOTION SENSOR	

WallMax Open Face Wall Packs

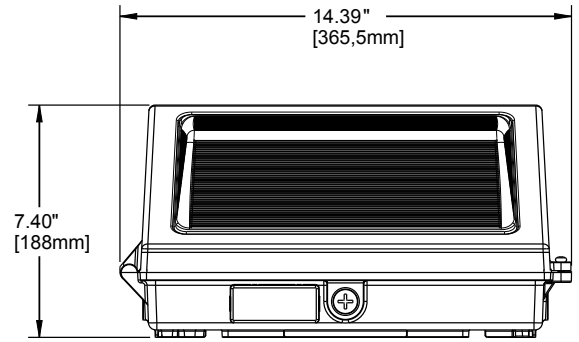
WPOP Series

Dimensions

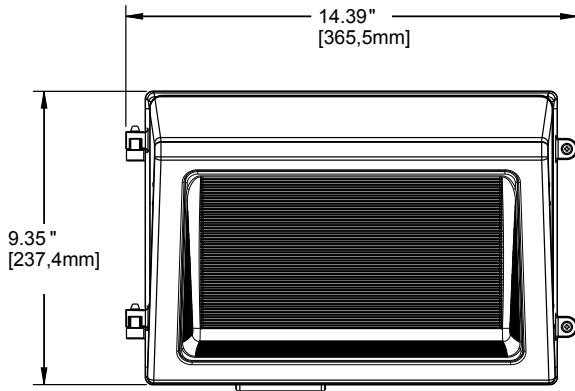
28-55W



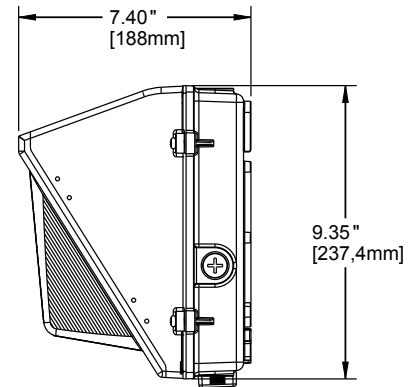
Top View



Bottom View



Front View



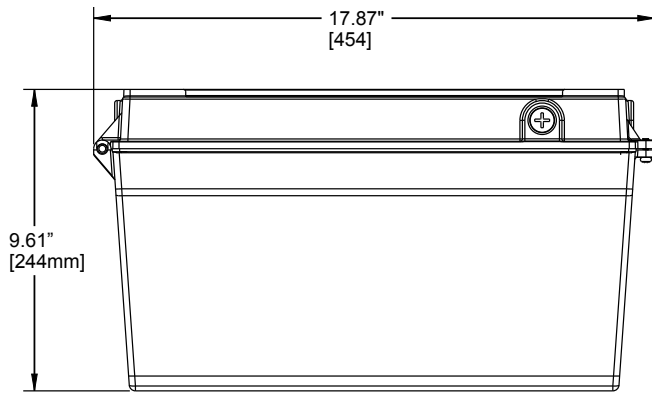
Side View

WallMax Open Face Wall Packs

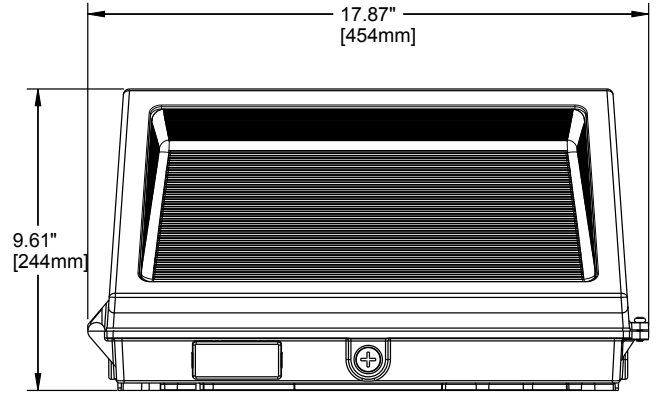
WPOP Series

Dimensions

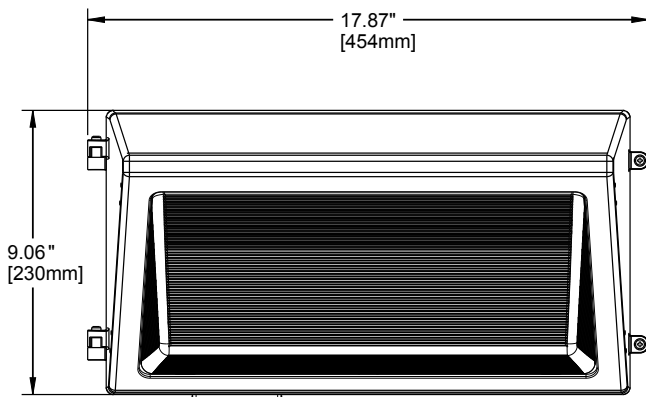
80-120W



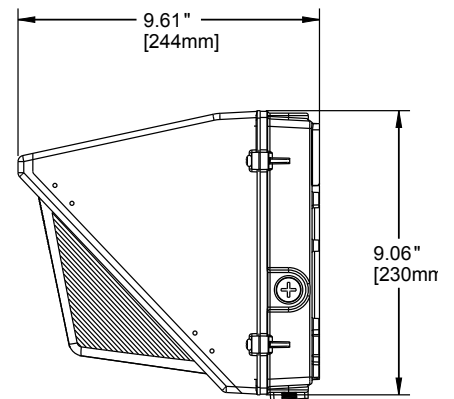
Top View



Bottom View



Front View



Side View

WallMax Open Face Wall Packs

WPOP Series

ISOFOOTCANDLE:

Each gridline represents one mounting height.

For mounting heights other than noted multiply FC by the below factor.

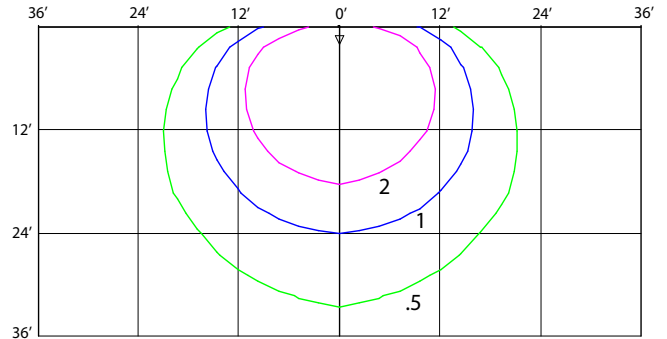
$$\text{Factor} = \frac{(\text{Chart's Mtg Height})^2}{(\text{Actual Mtg Height})^2}$$

Layouts based on 3000K. Results are 3-5% more for 4000/5000K. Consult IES file for more precise calculations.

LEGEND

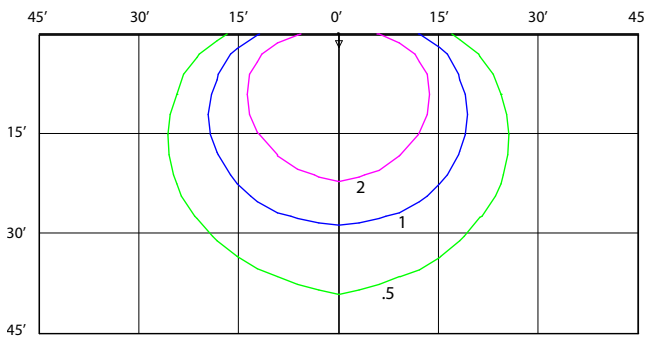
- 0.5 fc
- 1 fc
- 2 fc

WPOP28



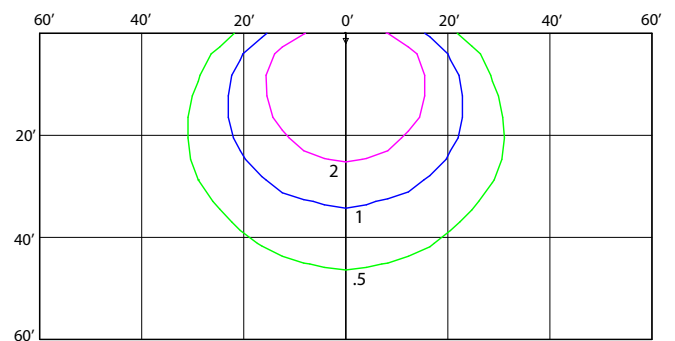
28W
12' MOUNTING HEIGHT

WPOP40



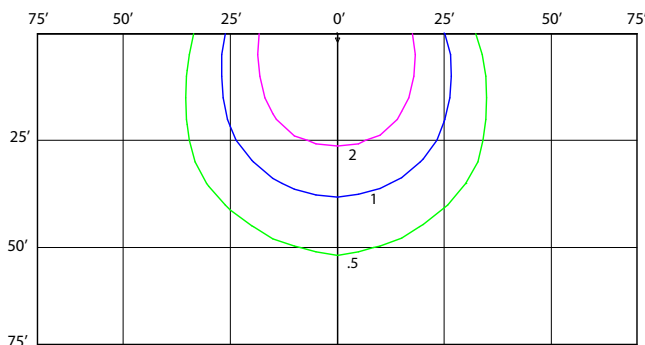
40W
15' MOUNTING HEIGHT

WPOP55



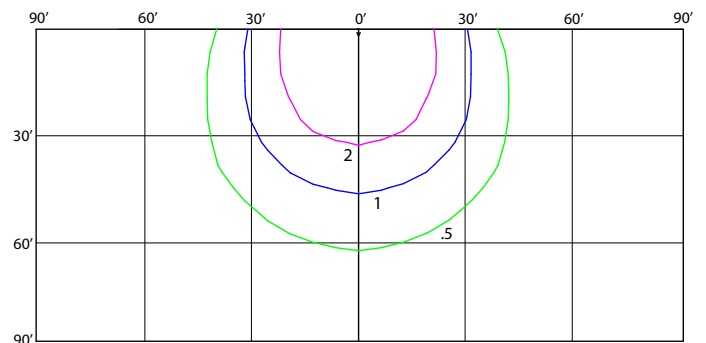
55W
20' MOUNTING HEIGHT

WPOP80



80W
25' MOUNTING HEIGHT

WPOP120



120W
30' MOUNTING HEIGHT