

Project:	
Type:	
Catalog #:	

STANDARD



FEATURES

- Field selectable 3000k (warm white), 4000k (neutral white), and 5000k (cool white) color temperatures.*
- Long-life LEDs provide at least 70% of initial lumen output (L_{70}) for $\geq 136,000$ hours of operation, and at least 90% of initial lumen output (L_{90}) for $\geq 41,000$ hours of operation.*
- LED chromaticity based on ≤ 5 -step ANSI quadrangles.
- LED color maintenance ≤ 0.003 chromaticity shift ($\Delta u'v'$) over the initial 6,000 hours of operation.
- Provides a range of 5,200 to 16,800 nominal lumens and 130 to 161 nominal lumens per watt (lm/W).
- 0-10vdc dimming drivers are standard.
- Universal 120-277 AC voltage (50-60Hz) is standard.
- Power factor > 0.90 .
- Total harmonic distortion $< 20\%$.
- Color rendering index (R_a) > 80 .
- Cast aluminum housing with dark bronze, powder coat finish.
- Polycarbonate lens.
- Three $\frac{1}{2}$ " NPT threaded openings.
- Easy installation in new construction or retrofit applications.

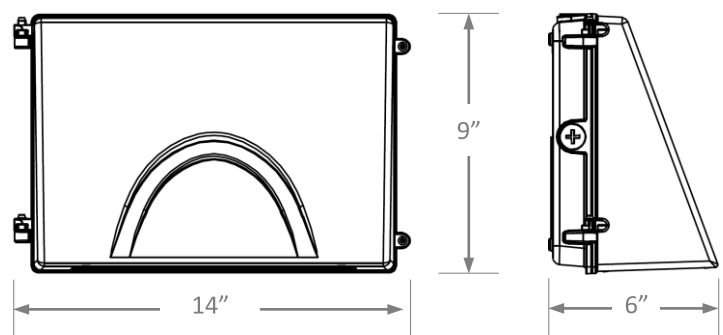
* Contact factory for other color temperatures and lumen packages.
** L_{70} & L_{90} hours are IES TM-21-11 calculated hours.



WARRANTY & LISTINGS

- cULus listed for wet locations in ambient temperatures from -40°C to 45°C (-40°F to 113°F).
- IP65 rated for ingress protection.
- DLC premium approved.
- Complies with FCC Part 15, class B.
- Surge protection = 4kV.
- 5-year warranty of all electronics and housing.

DIMENSIONS



Weight: 8L = 5 lbs / 15L = 5 lbs

ORDERING INFORMATION

Example: WPFC-S

Series	Nominal Lumen Output		Select	Photocell		
	8L	15L		B	P	Blank
WPFC	8,000 lumens	15,000 lumens	LKFS	Button photocell	Pencil photocell	No photocell

ELECTRICAL DATA

Series	Measurements	Low Lumens			Mid Lumens			High Lumens		
		3000K	4000K	5000K	3000K	4000K	5000K	3000K	4000K	5000K
WPFC-S	Lumens	5251	5526	5722	6659	7048	7198	7877	8682	8552
	Watts	36	35	36	48	46	48	59	57	59
	Efficacy	145	161	158	139	156	151	133	152	144
	Input Current (A)	120V = 0.30A	120V = 0.29A	120V = 0.30A	120V = 0.40A	120V = 0.38A	120V = 0.40A	120V = 0.49A	120V = 0.48A	120V = 0.49A
240V = 0.15A		240V = 0.15A	240V = 0.15A	240V = 0.20A	240V = 0.19A	240V = 0.20A	240V = 0.25A	240V = 0.24A	240V = 0.25A	
277V = 0.13A		277V = 0.13A	277V = 0.13A	277V = 0.17A	277V = 0.17A	277V = 0.17A	277V = 0.21A	277V = 0.21A	277V = 0.21A	

Series	Measurements	Low Lumens			Mid Lumens			High Lumens		
		3000K	4000K	5000K	3000K	4000K	5000K	3000K	4000K	5000K
WPFC-S	Lumens	10,352	10,987	11,227	12,850	13,760	13,916	15,065	16,848	16,374
	Watts	72	71	72	94	92	94	116	113	116
	Efficacy	143	159	155	136	154	148	130	149	141
	Input Current (A)	120V = 0.60A	120V = 0.59A	120V = 0.60A	120V = 0.78A	120V = 0.77A	120V = 0.78A	120V = 0.97A	120V = 0.94A	120V = 0.97A
240V = 0.30A		240V = 0.30A	240V = 0.30A	240V = 0.39A	240V = 0.38A	240V = 0.39A	240V = 0.48A	240V = 0.47A	240V = 0.48A	
277V = 0.26A		277V = 0.26A	277V = 0.26A	277V = 0.34A	277V = 0.33A	277V = 0.34A	277V = 0.42A	277V = 0.41A	277V = 0.42A	

PHOTOMETRIC DATA

WPFC-8L-LKFS

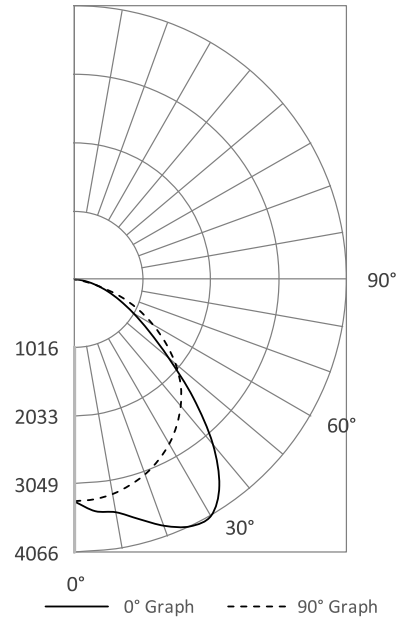
Luminaire Data

Description	Full Cut Off Wall Pack 8L 5K - LKFS
Total Lumens	8,552
Input Wattage	59
Efficacy (lm/W)	145
Max. Cd.	4088.23 (360H, 29V)
IES Classification	Type II
Longitudinal Classification	Very Short

Luminaire Classification Systems (LCS)

LCS Zone	Lumens	%Lum
FL 0-30	1,491	17.4%
FM 30-60	2,912	34.1%
FH 60-80	775	9.1%
FVH 80-90	49	0.6%
BL 0-30	1,219	14.2%
BM 30-60	1,836	21.5%
BH 60-80	260	3.0%
BVH 80-90	11	0.1%
UL 90-100	0	0.0%
UH 100-180	0	0.0%
Total	8,552	100.0%
BUG Rating	B3-U0-G1	

180° **Polar Graph**



Zonal Lumen Summary

Zone	Lumens	%Fixt
0-30°	2,710	31.7%
0-60°	7,458	87.2%
0-80°	8,493	99.3%
80-90°	59	0.7%*
0-90°	8,552	100.0%
90-110°	0	0.0%
110-180°	0	0.0%
0-180°	8,552	100.0%

* 80-90° glare zone is calculated by dividing the lumens in that zone by the lumen total in the 0-90° zone

WPFC-S

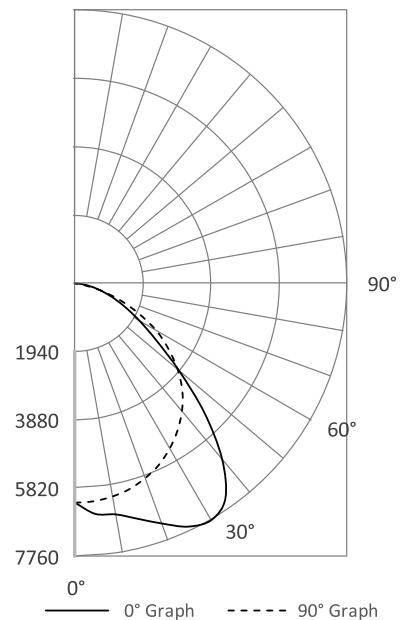
Luminaire Data

Description	Full Cut Off Wall Pack 15L 5K - LKFS
Total Lumens	16,374
Input Wattage	116
Efficacy (lm/W)	141
Max. Cd.	7769.7 (360H, 29V)
IES Classification	Type II
Longitudinal Classification	Very Short

Luminaire Classification Systems (LCS)

LCS Zone	Lumens	%Lum
FL 0-30	2,800	17.1%
FM 30-60	5,696	34.8%
FH 60-80	1,582	9.7%
FVH 80-90	114	0.7%
BL 0-30	2,299	14.0%
BM 30-60	3,398	20.8%
BH 60-80	470	2.9%
BVH 80-90	16	0.1%
UL 90-100	0	0.0%
UH 100-180	0	0.0%
Total	16,374	99.9%
BUG Rating	B3-U0-G2	

180° **Polar Graph**



Zonal Lumen Summary

Zone	Lumens	%Fixt
0-30°	5,099	31.1%
0-60°	14,192	86.7%
0-80°	16,244	99.2%
80-90°	130	0.8%*
0-90°	16,374	100.0%
90-110°	0	0.0%
110-180°	0	0.0%
0-180°	16,374	100.0%

* 80-90° glare zone is calculated by dividing the lumens in that zone by the lumen total in the 0-90° zone