

Project:	
Type:	
Catalog #:	



STANDARD



FEATURE

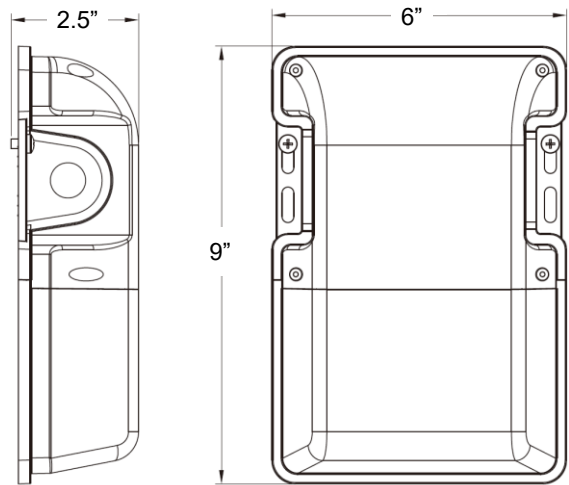
- Field selectable 3000k (warm white), 4000k (neutral white), and 5000k (cool white) color temperatures.*
- Long-life LEDs provide at least 70% of initial lumen output (L_{70}) for $\geq 156,000$ hours of operation, and at least 90% of initial lumen output (L_{90}) for $\geq 47,000$ hours of operation.*
- LED chromaticity based on ≤ 5 -step ANSI quadrangles.
- LED color maintenance ≤ 0.003 chromaticity shift ($\Delta u'v'$) over the initial 6,000 hours of operation.
- Provides a range of 1,900 to 3,300 nominal lumens and 126 to 145 nominal lumens per watt (lm/W).
- 0-10vdc dimming drivers are standard.
- Universal 120-277 AC voltage (50-60Hz) is standard.
- Power factor > 0.90 .
- Total harmonic distortion $< 20\%$.
- Color rendering index (R_a) > 80 .
- Integral photocell is standard.
- Cast aluminum housing with dark bronze, powder coat finish.
- Diffused polycarbonate lens.
- One $\frac{1}{2}$ " NPT threaded opening.
- Easy installation in new construction or retrofit applications.

* Contact factory for other color temperatures and lumen packages.
** L_{70} & L_{90} hours are IES TM-21-11 calculated hours.

WARRANTY & LISTING

- cULus listed for wet locations in ambient temperatures from -20°C to 50°C (-4°F to 122°F).
- IP65 rated for ingress protection.
- DLC premium approved.
- Complies with FCC Part 15, class B.
- Surge protection = 4kV.
- 5-year warranty of all electronics and housing.

DIMENSIONS



Weight: 1.5 lbs

ORDERING INFORMATION

Example: WPE-LED-SL

Series	Nominal Lumen Output		Select
WPE	3L	3,000 lumens	LKFS