

Low-Profile, Architectural LED Wallpack with Egress Option

DESCRIPTION

The slim architectural **WP-EM** Series LED wallpack features integral motion detection (PIR sensor) or photocontrol only (NS model) in both "normally on" and UL 924 Listed emergency egress models. The fully gasketed die-cast enclosure is IP65 rated and UL Listed for Wet Locations. The SLW's 15 Watt LED light engine delivers 1500 lumens in AC mode and 600 lumens in emergency mode. Zero uplight optics reduce light pollution.

SPECIFICATIONS

Construction:

- Architectural die-cast aluminum housing
- Snap-fit housing to mounting plate for easy access and installation
- Universal pattern knockouts on back for mounting to 3" and 4" J-box
- ½" Threaded conduit entry for top feed
- Available in Bronze, Black, Silver or White finish

Optics/ LEDs:

- 15 Watt high-power LED light engine delivers 1500 lumens (600 lumens in emergency mode for 60' on center spacing)
- Standard 4000K CCT, CRI ≥ 70, L70 > 72,000 hours
- LED array is protected by a high-impact, UV-resistant polycarbonate lens

polycarbonate lens

Electrical:

- 120-277VAC, 60Hz driver
- EM option uses long-life, maintenance-free, rechargeable high temperature NiCad battery which includes internal heater suitable for cold locations and draws an additional 17 Watts

Model: _____ Date: _____
Accessories: _____
Job Name: _____ Type: _____



T Integral controls include:

- Standard unit: Passive infrared (PIR) motion sensor with up to 10' detection, operational from dusk to dawn. Unit will shut off after two minutes of inactivity. The light will activate in AC mode only when motion is detected. Motion sensor (PIR) and dusk to dawn operation cannot be altered
- No PIR sensor option (NS): switchable AC operation for use as dusk to dawn with included photocontrol or use of a normally open switch by disabling photocontrol

Installation:

- Ideal for mounting to any vertical surface by attaching to a 3" or 4" J-box
- Can be surface mounted using the ½" conduit entry point at top of housing

Options:

- Emergency (EM) battery back-up is UL 924 Listed to provide a minimum 90 minutes operation during a loss of power, with a 24 hour maximum recharge time for battery. Standard with self-test/ self-diagnostics as well as a heater for cold location operation to -25°C. AC power indicator and test switch are located on bottom face of the unit
- No PIR sensor option (NS) is offered without passive infrared (PIR) motion sensor, but with a photocontrol for use in dusk to dawn applications. Photocontrol can be disabled to be used as an always on or switchable fixture

Testing & Compliance:

- cULus Listed for Wet Locations, IP65 rated
- Emergency model UL 924 Listed, NFPA 70, NFPA 101
- Complies with Title 24 of the California Code of Regulations
- Operating temperatures: -25°C to 50°C (-13°F to 122°F)

Warranty:

- Five Year Warranty (Terms and Conditions Apply)

Specs at a Glance		*Nominal Wattage
Wattage (W)*		15 (WP-EM)
Lumens (lm)		1500
Efficacy (LPW)		100
Equivalency		100W HID
CCT		4000K
CRI		≥ 70
Input Voltage		120-277VAC, 60Hz
Warranty		5 Years
Certifications		UL 924 Listed for Wet Locations, NFPA 101, Title 24
Operating Temp		-25°C to 50°C (-13°F to 122°F)
Weight		3.7 lbs (EM model: 4.5 lbs)

Note: Environment and application will affect actual performance. Typical values and 25°C used for testing. Specifications subject to change without notice.

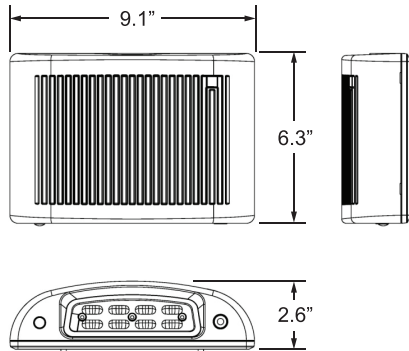
Ordering Information

Series	Wattage	CCT	Finish	Options
WP-EM	15 = 15W	4K = 4000K	(Blank) = Bronze BL = Black SV = Silver	EM ¹ = UL 924 Emergency battery back-up with self-test/ self-diagnostics, cold location NS ² = Photocontrol only (no PIR motion sensor)
Notes			WH = White	

¹ EM model not DLC Qualified product

² Without this option, this model is equipped with a motion sensor that cannot be disabled

Dimensions



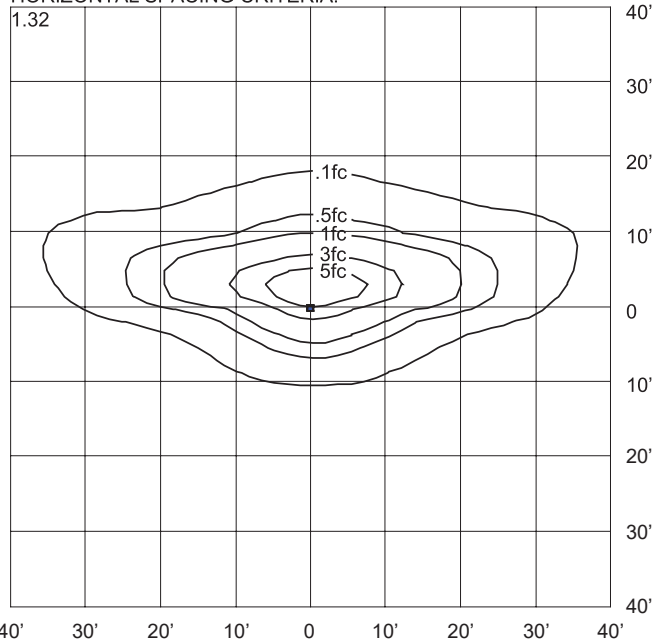
PIR Motion Sensor Detection Radius

Installation height	Rated detection radius
8'	6.5'
10'	8'
11'	10'

Sample Photometrics

SLW-15-4K

IES: TYPE I SHORT
 MOUNTING HEIGHT: 10'
 TILT: ZERO
 HORIZONTAL SPACING CRITERIA:



ON-CENTER SPACING FOR UNITS WITH "EM" OPTION

Using multiple SLW units mounted at a typical 10' height delivers 60' on center spacing with a 6' wide path of egress.

