

LED SMALL ADJUSTABLE WALL PACK SAW SERIES



13W & 26W



PRODUCT DESCRIPTION:

With flexible installation features and architectural-grade design, LED Small Adjustable Wall Packs offer discreet, but powerful lighting for outdoor locations. The wall packs are constructed with a fixture head that pivots up to 90 degrees, to precisely aim light while minimizing glare and backlight. Wall packs are issued unscrewed, so they are ready to install right out of the box. Backplate mounting hinges allow the fixture to hang during wiring, making ladder work easier for the installer, while an internal spirit level ensures straight mounting.

FEATURES:

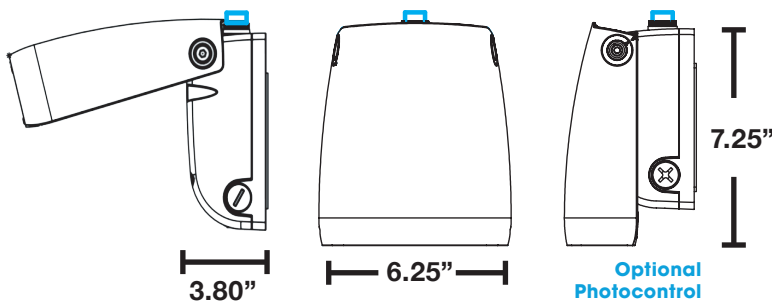
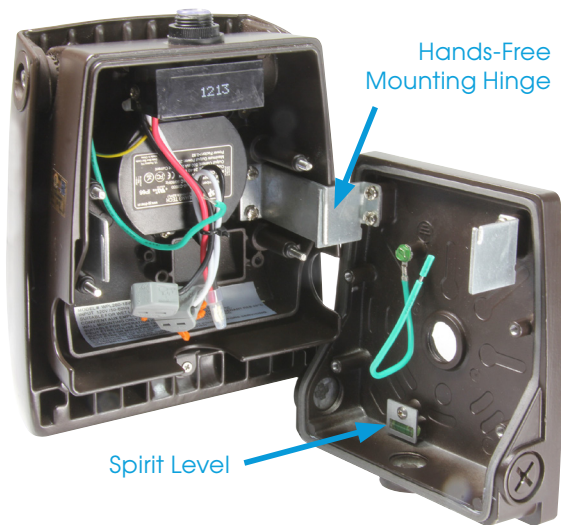
- Fixture head pivots fully up to 90° from mounting plane
- Efficacy exceeding 80 lm/W translates to 75% energy savings over HID incumbents
- 70 CRI min
- Universal 120-277V power supply
- Power Factor > 0.9; THD < 25%
- 120,000-hour L70 lifetime, TM-21 standards @ 25°C
- 10kA surge protection standard

CONTROLS:

120VAC/208-277VAC Photocontrol: Voltage-specific photocontrols power the fixture when light levels reach 20 lux or below, and turn it off at 30 lux or higher. Operating temperature of -30°F-120°F. Photocell mounted externally.

CONSTRUCTION:

- Die-cast housing, durable powder coat finish
- Spirit level and backplate mounting hinges make for an easy installation



MODEL SELECTION (Full list of order codes on pg. 2)

Typical order example: SAW26U50PC27BSS

	U	50		B	SS
FAMILY	VOLTAGE	CCT	CONTROL	FINISH	SURGE SUPPRESSION
SAW13= 13W, 100W Quartz Halide equivalent SAW26= 26W, 175W Metal Halide equivalent	U= 120-277V	50= 5000K	(OMIT)= None, std PC12= 120V Photocontrol PC27= 277V Photocontrol	B= Bronze, std	SS= 10kV surge suppressor, std.

SPECIFICATIONS:

ITEM	SPECIFICATION	DETAILS					
		SAW13U50BSS	SAW13U50PC12BSS	SAW13U50BPC27SS	SAW26U50BSS	SAW26U50BPC12SS	SAW26U50BPC27SS
GENERAL PERFORMANCE	Lumens Delivered (lm)	1165			2345		
	Efficacy (lm/W)	82			81		
	CCT	5000K					
	Lumen Maintenance (L70)	>120,000 hours					
	Color Rendering Index (CRI)	70					
ELECTRICAL	Input Power (W)	14			29		
	Power Factor	> 0.9					
	Input Voltage (V)	120-277V, 50/60Hz	100-120V, 50/60Hz	208-277V, 50/60Hz	120-277V, 50/60Hz	100-120V, 50/60Hz	208-277V, 50/60Hz
	Surge Suppression	10kV					
PHYSICAL	Mounting	Gasketed back plate can be mounted to recessed outlet box or direct to surface					
	Lens	Sealed borosilicate glass lens					
	Housing	Aluminum					
	Operating Temperature	-30°F-104°F					
APPLICATION	Certification	DLC, RoHS, UL, FCC, LM-79, LM-80, TM-21					
	Environment	IP66					
	Humidity	20% - 85% RH, non condensing					
	Warranty	5 Years					

ORDERING*:

ORDER CODE	MODEL	OPTIONS	EFFICACY (lm/w)	OUTPUT (LUMENS)	NOMINAL POWER (WATTS)	CCT	FINISH
74520	SAW13U50BSS	None	82	1165	13	5000K	Bronze
74578	SAW13U50PC12BSS	120V Photocontrol					
74579	SAW13U50PC27BSS	277V Photocontrol					
74521	SAW26U50BSS	None	81	2345	26		
74576	SAW26U50PC12BSS	120V Photocontrol					
74577	SAW26U50PC27BSS	277V Photocontrol					