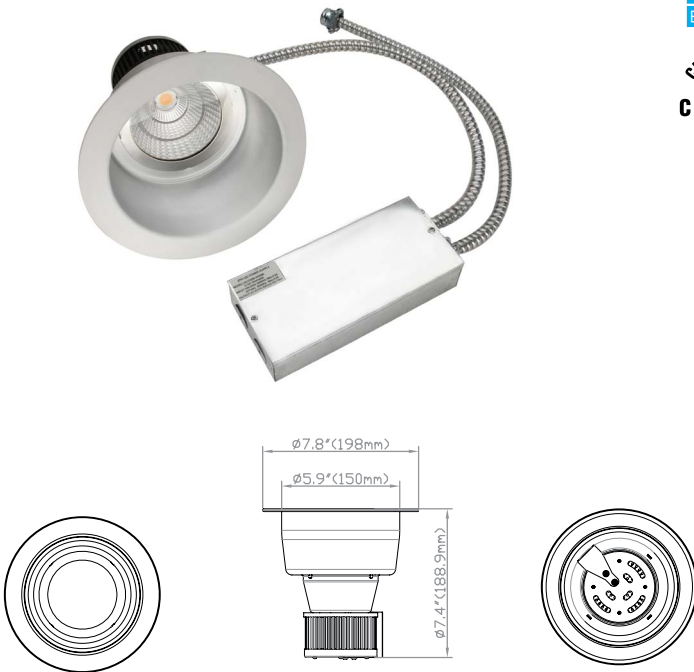


**LED 6" COMMERCIAL RECESSED
RETROFIT DOWNLIGHT**
ECONOMIC SERIES



PRODUCT DESCRIPTION:

The ENERGY STAR qualified six-inch ECO Series LED Recessed Retrofit Downlight combines low up-front cost, minimal labor, best-in-class energy efficiency, and architectural-quality light to deliver an exceptional value for customers.

The ECO Series retrofit offers out-of-the-box dimming compatibility using 0-10-volt controls and features a one-piece design that is quick and easy to install into existing recessed frames.

FEATURES:

- Universal voltage (120-277)
- Mounts into existing recessed frame
- Supplied with optional retaining clips if existing frame does not have adequate friction springs to secure reflector
- cULus listed for damp location use
- CRI: 84
- PF: >.9
- Dimmable to 10%
- Five year limited warranty

CONSTRUCTIONS:

- Supplied with an aluminum reflector in a haze finish
- External driver for easy retrofit and maintenance
- Power supply features integral thermal protection

MODEL SELECTION (Full list of order codes on pg. 2)		Typical order example: RRECO61830W		
RRECO	6			W
FAMILY	SIZE	WATTAGE (NOMIAL)	CCT	TRIM
RRECO= Commercial Recessed Retrofit Downlight Economic Series	6= 6"	18= 18W 27= 27W	30= 3000K 40= 4000K	W= White

SPECIFICATIONS:

ITEM	SPECIFICATION	RRECO61830W	RRECO61840W	RRECO62730W	RRECO62740W
		DETAILS			
GENERAL PERFORMANCE	Power Consumption (W)	17.8	17.9	26.5	26.4
	Lumens Delivered (lm)	1,490	1,505	2,010	2,130
	Efficacy (lm/W)	84	84	76	81
	CRI	≥80			
	Color Temperature (K)*	3000K, 4000K (Additional CCT available, contact MaxLite for info.)			
	L70 Lifetime (hours)	50,000			
	Color Consistency	Proprietary binning for uniform color			
ELECTRICAL	Power Factor	0.99			
	Input Voltage	120-277V			
	Compatible Dimmers	Designed to be compatible with any 0-10V dimmer			
PHYSICAL	Weight	2 lbs			
	Mounting	Mounts into existing recessed frame			
	Operating Temperature	-4°F to 104°F			
	Humidity	20-85% RH, non-condensing			
CERTIFICATION	Certification	cULus, LM-79, Energy Star, FCC			
	Material Usage	RoHS compliant; no mercury			
	Environment	Indoor			
	Warranty	5 years			

*Additional CCT available, contact MaxLite for info

ORDERING*:

ORDER CODE	MODEL	CCT	WATTAGE
95335	RRECO61830W	3000K	18
95336	RRECO61840W	4000k	
95364	RRECO62730W	3000K	27
95365	RRECO62740W	4000K	