

## LED 8" COMMERCIAL RECESSED RETROFIT DOWNLIGHT

### RR8 SERIES



### PRODUCT DESCRIPTION:

The commercial-grade LED Recessed Downlight Retrofit is supplied with a quick connect-case and conduit to make an easy connection to an existing recessed fixture frame junction box.

### FEATURES:

- Universal voltage (120-277)
- Mounts into existing recessed frame
- Supplied with optional retaining clips if existing frame does not have adequate friction springs to secure reflector
- cETL listed for damp location use
- CRI: > 80
- PF: >.9
- A wide variety of CCTs available: 3000K and 4000K come standard; 2700K and 5000K by special order
- Five year limited warranty
- Dimmable to 5% (120v only)

### CONSTRUCTION:

- Supplied with a heavy gauge anodized aluminum reflector in a haze finish
- External driver for easy retrofit and maintenance
- Power supply features integral thermal protection
- Optional extended trim rings available to conceal imperfections in drywall openings



Scan the QR code with a smartphone to view the installation video or visit the following link: <http://bit.ly/ledcrdr>

#### MODEL SELECTION (Full list of order codes on pg. 2)

Typical order example: RR82330W

RR	8			W	/V2*
FAMILY	SIZE	WATTAGE (NOMINAL)	CCT	TRIM	
RR= Commercial Recessed Retrofit Downlight	8= 8"	15= 15W 23= 23W 30= 30W	27= 2700K 30= 3000K 40= 4000K	W= White	/V2*

\*V2 only pertains to the 15W product

### COMPATIBLE DIMMERS:

MAKE	DIMMER MODEL
Lutron	CTCL-153PD*
Lutron	DVCL-153PL*
Lutron	CTELV-303P
Lutron	LGCL-153PL*
Leviton	IPI10

\* Dimming control should be adjusted to 5% minimum light output level in order to avoid flickering. Please consult dimming control Instruction manual for specific procedure.

#### ACCESSORIES

ORDER CODE	MODEL NUMBER	DESCRIPTION	ACCESSORIES IMAGE
72821	RR8-XWHTRING	8" White trim ring	
74088	RR8-BNRING	8" Brushed nickel trim ring	

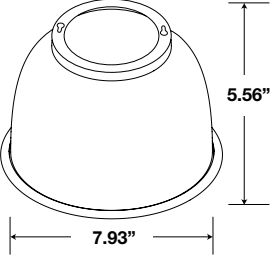
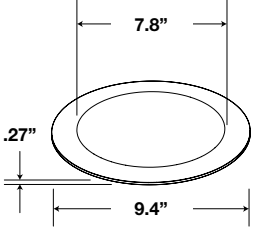
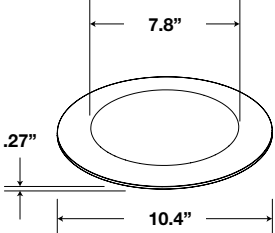
## SPECIFICATIONS:

ITEM	SPECIFICATION	RR81527W/V2	RR81530W/V2	RR81540W/V2	RR82330W	RR82340W	RR83030W	RR83040W
		DETAILS			DETAILS		DETAILS	
<b>GENERAL PERFORMANCE</b>	Power Consumption (W)	14.0	14.0	14.0	23.0	23.0	30.0	30.0
	Lumens Delivered (lm)	850	875	920	1670	1750	2220	2510
	Efficacy (lm/W)	62	63	66	73	76	74	84
	Color Temperature	2700K	3000K	4000K	3000K	4000K	3000K	4000K
	L70 Lifetime (hours)	50,000						
	CRI	> 80						
	Color Consistency	Proprietary binning for uniform color						
<b>ELECTRICAL</b>	Power Factor	.90						
	Input Voltage	120-277V standard						
	Compatible Dimmers	Lutron CTCL-153PD, DVCL-153PL, CTELV-303P, DVELV-303P, LGCL-153PL; Leviton IPI10						
<b>PHYSICAL</b>	Weight	2.25 lbs						
	Mounting	Mounts into existing recessed frame						
	Operating Temperature	0° – 104° F						
	Humidity	20% - 85% RH, non-condensing						
<b>CERTIFICATION</b>	Certification	Energy Star, FCC, LM-79, LM-80, ETL						
	Material Usage	RoHS compliant; no mercury						
	Environment	Indoor						
	Warranty	5 years						

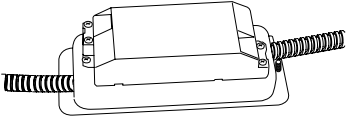
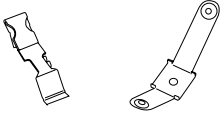
## ORDERING\*:

ORDER CODE	MODEL	WATTAGE	CCT	VOLTAGE
101648	RR81527W/V2	15	2700K	120-277V
101649	RR81530W/V2	15	3000K	
101650	RR81540W/V2	15	4000K	
74035	RR82330W	23	3000K	
74036	RR82340W	23	4000K	
74037	RR83030W	30	3000K	
74038	RR83040W	30	4000K	

**PRODUCT FEATURES:**

REFLECTOR	STANDARD TRIM RING	OPTIONAL EXTENDED TRIM RING
		<p>SOLD SEPARATELY</p> 

**PRODUCT FEATURES**

EXTERNAL DRIVER	RETAINING CLIPS
	 <p>Retaining clips are supplied for situations where the existing recessed frame does not have pre-installed clips to secure the reflector.</p>

