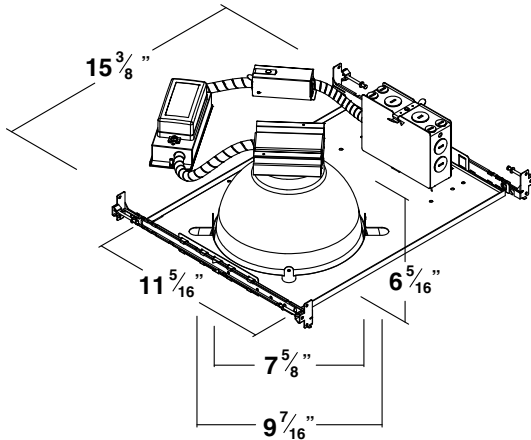


**LED 8" COMMERCIAL RECESSED
DOWNLIGHT FIXTURE**
RCF SERIES



PRODUCT DESCRIPTION:

MaxLite's NON-IC commercial recessed downlight fixtures are an economical LED lighting solution for new construction applications including offices, healthcare facilities, educational institutions and other buildings that want to reduce maintenance and energy consumption without sacrificing quality of light.

FEATURES:

- Unique optic allows high lumen transmission while concealing the LED light source resulting in efficient, inviting light and minimizing LED glare
- Junction box listed for through branch circuit wiring (Max. 8 no.12AWG 90C conductors, 4 in and 4 out)
- Suitable for damp location use
- Dimmable down to 5% (120v only)
- Five year warranty

ELECTRICAL:

- Universal voltage, driver can be supplied with 120V-277V
- LED array will provide minimum 50,000 hour L70 lifetime

MODEL SELECTION (Full list of order codes on pg. 3) Typical order example: RCF83430W

RCF	8			W	
FAMILY	SIZE	WATTAGE (NOMINAL)	CCT	TRIM COLOR	OPTION
RCF= Commercial Recessed Frame	8= 8" Nominal diameter reflector	15= 15W 23= 23W 30= 30W	30= 3000K 40= 4000K	W= White	(Omit)= None EM= Battery Backup Unit
					/V2

ACCESSORIES			
ORDER CODE	MODEL NUMBER	DESCRIPTION	ACCESSORIES IMAGE
74088	RR8-BNRING	8" Brushed Nickel Trim Ring	

NOTES:

1. In the event of a power failure, the battery backup units switch to emergency mode (500 lumen output) and operates the fixture for a minimum of 90 minutes

SPECIFICATIONS:

		RCF81530W/V2	RCF81540W/V2	RCF82330W	RCF82340W
ITEM	SPECIFICATION	15 WATTS - DETAILS		23 WATTS - DETAILS	
GENERAL PERFORMANCE	Color Temperature	3000K	4000K	3000K	4000K
	Lumens Delivered (lm)	840	920	1670	1750
	Efficacy (lm/w)	60	65	73	76
	Lumen Maintenance (L70)	50,000 hours			
ELECTRICAL	Power Consumption	14 Watts		23 Watts	
	Power Factor	>0.9			
	Input Voltage	120V-277V			
PHYSICAL	Mounting	Adjustable (24" max) bar hangers with nails for installation to joists or standard grid ceilings			
	Operating Temperature	-4° F to 113° F			
APPLICATION	Environment	Dry, Damp			
	Insulation	Non-IC, insulation must be kept 3" from all sides of the housing			
	Warranty	5 Year			

Lighting layouts and spacing criteria available upon request

SPECIFICATIONS:

		RCF83030W	RCF83040W
ITEM	SPECIFICATION	30 WATTS - DETAILS	
GENERAL PERFORMANCE	Color Temperature	3000K	4000K
	Lumens Delivered (lm)	2220	2510
	Efficacy (lm/w)	74	84
	Lumen Maintenance (L70)	50,000 hours	
ELECTRICAL	Power Consumption	30 Watts	
	Power Factor	>0.9	
	Input Voltage	120V-277V	
PHYSICAL	Mounting	Adjustable (24" max) bar hangers with nails for installation to joists or standard grid ceilings	
	Operating Temperature	-4 F to 113 F	
APPLICATION	Environment	Dry, Damp	
	Insulation	Non-IC, insulation must be kept 3" from all sides of the housing	
	Warranty	5 Year	

Lighting layouts and spacing criteria available upon request

ORDERING:

ORDER CODE	MODEL	OPTIONS	OUTPUT (LUMENS)	CCT
73685	RCF81530W/V2	15W LED 8" COMMERCIAL RECESSED DOWNLIGHT FIXTURE 3000K	840	3000K
73686	RCF81540W/V2	15W LED 8" COMMERCIAL RECESSED DOWNLIGHT FIXTURE 4000K	920	4000K
74362	RCF82330W	23W LED 8" RECESSED COMMERCIAL DOWNLIGHT FIXTURE 3000K	1670	3000K
74363	RCF82340W	23W LED 8" RECESSED COMMERCIAL DOWNLIGHT FIXTURE 4000K	1750	4000K
74390	RCF83030W	30W LED 8" RECESSED COMMERCIAL DOWNLIGHT FIXTURE 3000K	2220	3000K
74391	RCF83040W	30W LED 8" RECESSED COMMERCIAL DOWNLIGHT FIXTURE 4000K	2510	4000K

COMPATIBLE DIMMERS:

MAKE	DIMMER MODEL
Lutron	CTCL-153PD*
Lutron	DVCL-153PL*
Lutron	CTELV-303P
Lutron	DVELV-303P
Lutron	LGCL-153PL*
Leviton	IPI10 Leviton

* Dimming control should be adjusted to 5% minimum light output level in order to avoid flickering. Please consult dimming control instruction manual for specific procedure.