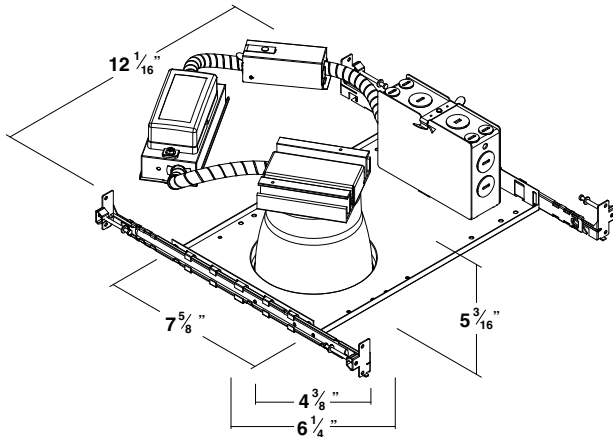


LED 4" COMMERCIAL RECESSED DOWNLIGHT FIXTURE

RCF SERIES



PRODUCT DESCRIPTION:

MaxLite's NON-IC commercial recessed downlight fixtures are an economical LED lighting solution for new construction applications including offices, healthcare facilities, educational institutions and other buildings that want to reduce maintenance and energy consumption without sacrificing quality of light.

FEATURES:

- Unique optic allows high lumen transmission while concealing the LED light source resulting in efficient, inviting light and minimizing LED glare
- Junction box listed for through branch circuit wiring (Max. 8 no.12AWG 90C conductors, 4 in and 4 out)
- Suitable for damp location use
- Dimmable down to 5% (120v only)
- Five year warranty

ELECTRICAL:

- Universal voltage, driver can be supplied with 120V-277V
- LED array will provide minimum 50,000 hour L70 lifetime

MODEL SELECTION (Full list of order codes on pg. 2)		Typical order example: RCF42630W				
RCF	4			W		
FAMILY	SIZE	WATTAGE (NOMINAL)	CCT	TRIM COLOR	OPTIONS	
RCF= Commercial Recessed Frame	4= 4" Nominal diameter reflector	15= 15W 23= 23W	30= 3000K 40= 4000K	W= White	(OMIT)= None *EM= Battery backup	/V2

ACCESSORIES			
ORDER CODE	MODEL NUMBER	DESCRIPTION	ACCESSORIES IMAGE
74086	RR4-BNRING	4" Brushed Nickel Trim Ring	

NOTES:

1. In the event of a power failure, the battery backup units switch to emergency mode (500 lumen output) and operates the fixture for a minimum of 90 minutes.

SPECIFICATIONS:

		RCF41530W/V2	RCF41540W/V2	RCF42330W	RCF42340W
ITEM	SPECIFICATION	15 WATTS - DETAILS		23 WATTS - DETAILS	
GENERAL PERFORMANCE	Color Temperature	3000K	4000K	3000K	4000K
	Lumens Delivered (lm)	785	875	1635	1695
	Efficacy (lm/w)	56	63	71	74
	Lumen Maintenance (L70)	50,000 hours			
ELECTRICAL	Power Consumption	14 Watts		23 Watts	
	Power Factor	>0.9			
	Input Voltage	120V-277V			
PHYSICAL	Mounting	Adjustable (24" max) bar hangers with nails for installation to joists or standard grid ceilings			
	Operating Temperature	-4° F to 113° F			
APPLICATION	Environment	Dry, Damp			
	Insulation	Non-IC, insulation must be kept 3" from all sides of the housing			
	Warranty	5 Year			

Lighting layouts and spacing criteria available upon request

ORDERING:

ORDER CODE	MODEL	OPTIONS	OUTPUT (LUMENS)	CCT
73677	RCF41530W/V2	15W LED 4" Commercial Recessed Downlight Fixture	785	3000K
74294	RCF41530WEM/V2	15W LED 4" Commercial Recessed Downlight Fixture with Battery Backup	785	3000K
73678	RCF41540W/V2	15W LED 4" Commercial Recessed Downlight Fixture	875	4000K
74295	RCF41540WEM/V2	15W LED 4" Commercial Recessed Downlight Fixture with Battery Backup	875	4000K
74385	RCF42330W	23W LED 4" Commercial Recessed Downlight Fixture	1635	3000K
74348	RCF42330WEM	23W LED 4" Commercial Recessed Downlight Fixture with Battery Backup	1635	3000K
74387	RCF42340W	23W LED 4" Commercial Recessed Downlight Fixture	1695	4000K
74349	RCF42340WEM	23W LED 4" Commercial Recessed Downlight Fixture with Battery Backup	1695	4000K

COMPATIBLE DIMMERS:

MAKE	DIMMER MODEL
Lutron	CTCL-153PD*
Lutron	DVCL-153PL*
Lutron	CTELV-303P
Lutron	DVELV-303P
Lutron	LGCL-153PL*
Leviton	IPI10 Leviton

* Dimming control should be adjusted to 5% minimum light output level in order to avoid flickering. Please consult dimming control instruction manual for specific procedure.