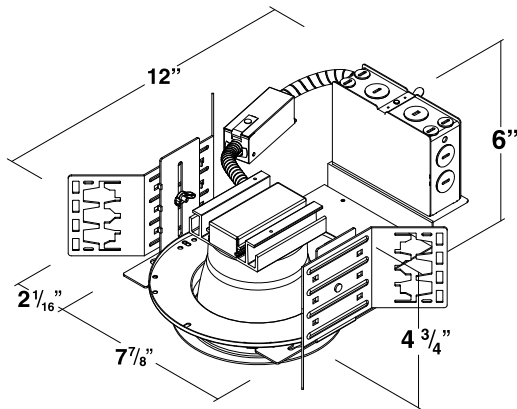


LED 4" ARCHITECTURAL RECESSED DOWNLIGHT FIXTURE
RAF4 Series



PRODUCT DESCRIPTION:

MaxLite's NON-IC architectural recessed downlight fixtures are a great alternative to HID, fluorescent, and traditional incandescent fixtures. Recommended for buildings where superior quality of light, flexible installation options, and durability are required.

FEATURES:

- Unique optic allows high lumen transmission while concealing the LED light source resulting in efficient, inviting light and minimizing LED glare
- Architectural housing can accommodate 1/2" EMT conduit, HB24 or HBC-24 bar hanger, lathing channels, T-Bar grid ceilings or concealed spline ceilings
- Architectural fixture provides up to 5" vertical adjustment.
- Junction box listed for through branch circuit wiring (Max. 8 no.12AWG 90C conductors, 4 in and 4 out)
- Suitable for damp location use
- Dimmable down to 5% (120v only)
- Five year warranty

ELECTRICAL:

- Universal voltage, driver can be supplied with 120V-277V
- LED array will provide minimum 50,000 hour L70 lifetime

MODEL SELECTION (Full list of order codes on pg. 2)

Typical order example: RAF41530W

RAF	4			W	
FAMILY	SIZE	WATTAGE	COLOR TEMPERATURE (CTT)	TRIM COLOR	
RAF= Architectural Recessed Frame	4= 4" Nominal diameter reflector	15= 15 watts 23= 23 watts	30= 3000K 40= 4000K	W= White	/N2

ACCESSORIES

ORDER CODE	MODEL NUMBER	DESCRIPTION	ACCESSORIES IMAGE
73716	MLRR-HBAR	Hanger Bar Kit for Joists and T-Grid Ceilings	
74086	RR4-BNRING	4" Brushed Nickel Trim Ring	

SPECIFICATIONS:

		RAF41530W/V2	RAF41540W/V2	RAF42330W	RAF42340W
ITEM	SPECIFICATION	15 WATTS - DETAILS		23 WATTS - DETAILS	
GENERAL PERFORMANCE	Color Temperature	3000K	4000K	3000K	4000K
	Lumens Delivered (lm)	785	875	1635	1695
	Efficacy (lm/w)	56	63	71	74
	Lumen Maintenance (L70)	50,000 hours			
ELECTRICAL	Power Consumption	14 Watts		23 Watts	
	Power Factor	>0.9			
	Input Voltage	120V-277V			
PHYSICAL	Mounting	Concealed Spline, 1/2" EMT Conduit, 'C' Channel, T Grid (order 24" adjustable hanger bars MLRR-HBAR)			
	Operating Temperature	-4° F to 113° F			
APPLICATION	Environment	Dry, Damp			
	Insulation	Non-IC, insulation must be kept 3" from all sides of the housing			
	Warranty	5 Year			

ORDERING:

ORDER CODE	MODEL	OUTPUT (LUMENS)	CCT	POWER (WATTS)
73675	RAF41530W/V2	785	3000K	14
73676	RAF41540W/V2	875	4000K	
74378	RAF42330W	1,635	3000K	23
74379	RAF42340W	1,695	4000K	

*Please contact your MaxLite representative to order products that don't have order codes listed here.

COMPATIBLE DIMMERS:

MAKE	DIMMER MODEL
Lutron	CTCL-153PD*
Lutron	DVCL-153PL*
Lutron	CTELV-303P
Lutron	DVELV-303P
Lutron	LGCL-153PL*
Leviton	IPI10 Leviton

* Dimming control should be adjusted to 5% minimum light output level in order to avoid flickering. Please consult dimming control instruction manual for specific procedure.