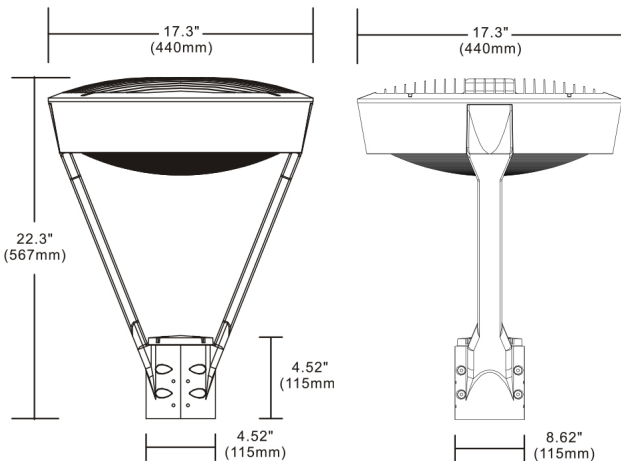


LED POST TOP SPIDER MOUNT
PTSM SERIES



PRODUCT DESCRIPTION:

Maxlite's Post Top Spider Mount offers a sleek stylish area fixture ideal for pathways and parks for general area lighting applications. It comes in 3 different outputs and offers photocell and motion sensor options.

FEATURES:

- Die cast aluminum housing with corrosion resistant powder coat paint finish
- 6,800-15,000 lumens
- Choice of 53/78/143W, 126-130 lm/W
- Available in 3000K, 4000K or 5000K
- 120V-277V, 50/60Hz
- UV stabilized vandal resistant polycarbonate lens
- Slip fitter mounting fits 2 3/8" tenon
- Passes ANSI 3G vibration test
- On/Off Motion sensor or 3pin NEMA twist lock photocell receptacle available as options
- cULus certified for WL

WARRANTY:

5-year standard warranty with labor allowance* (further details available at www.maxlite.com/warranties)
*Product may be eligible for a warranty extension to 10 years, for an additional fee. Contact MaxLite for details.

DESIGNLIGHTS CONSORTIUM:

Not all product variations listed on this page are DLC Standard/Premium qualified. Visit www.designlights.org/search to confirm qualification.

MODEL SELECTION

| PTSM | | U | T5 | B | | |
|----------------------------|------------------------------|------------|--------------|----------------------------------|---|--|
| FAMILY | WATTAGE (NOMINAL) | VOLTAGE | DISTRIBUTION | CCT | FINISH | OPTIONS |
| PTSM=Post Top Spider Mount | 53=53W 78=78W 143=143W | U=120-277V | T5=Type V | 30=3000K 40=4000K 50=5000K | B=Bronze Contact Maxlite for additional finishes | MS=Daylight/Motion Sensor (On/Off) RPC=NEMA 3pin receptacle (Photocell sold separately) |

DLC QPL

| MODEL NUMBER | PRODUCT ID | MODEL NUMBER | PRODUCT ID | MODEL NUMBER | PRODUCT ID |
|---------------|--------------|----------------|--------------|----------------|--------------|
| PSTM53UT5-30B | PLRIOP5HRCMW | PSTM143UT5-30B | PL1VVYAR1PDJ | PSTM143UT5-30B | PL1VVYAR1PDJ |
| PSTM53UT5-40B | PLI2R5E0B6CC | PSTM143UT5-40B | PLZ6I293C3MJ | PSTM143UT5-40B | PLZ6I293C3MJ |
| PSTM53UT5-50B | PLHUXFIESLAP | PSTM143UT5-50B | PL66XM2RO8ZJ | PSTM143UT5-50B | PL66XM2RO8ZJ |

ACCESSORIES

| MODEL # (ORDER CODE) | DESCRIPTION | ACCESSORY IMAGE |
|----------------------|--------------------------------------|-----------------|
| TR3BZ (101677) | Tennon Reducer, 3" to 2-3/8", Bronze | |

SPECIFICATIONS

| | | PTSM53 | PTSM78 | PTSM143 |
|----------------------------|---------------------------------------|---|--------------|---------------|
| ITEM | SPECIFICATION | DETAILS | | |
| GENERAL PERFORMANCE | Power Consumption (W) | 53.5W | 78.4W | 143W |
| | Lumens Delivered | 6,830-6,990 | 9,550-9,840 | 15,480-15,950 |
| | Efficacy (lm/W) | 128-131 lm/W | 122-125 lm/W | 108-112 lm/W |
| | CRI | ≥70 | | |
| | Color Temperature | 3000K, 4000K, 5000K | | |
| | Distribution | Type V | | |
| | Lumen Maintenance (L70, TM-21 @ 25°C) | >50,000 Hrs | | |
| ELECTRICAL | Voltage | 120-277V | | |
| PHYSICAL | Housing | Die Cast Aluminum with corrosion resistant powder coat finish | | |
| | Mounting | 2 3/8" OD slipfitter | | |
| | Lens | UV stabilized vandal resistant polycarbonate | | |
| | Operating temperature | -40°C to 40°C | | |
| | Weight | TBA | | |
| CERTIFICATION | Certifications | cULus (WL), ANSI 3G, RoHS | | |
| QUALIFICATION | EPA | 0.95 | | |
| | Warranty | 5 Years | | |
| | DesignLights Consortium | DLC Premium | DLC Premium | DLC Standard |

ISOFOOTCANDLE:

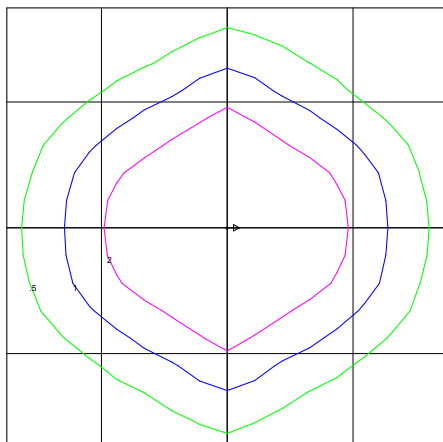
Each gridline represents one mounting height.
For mounting heights other than noted multiply FC by the below factor.

LEGEND

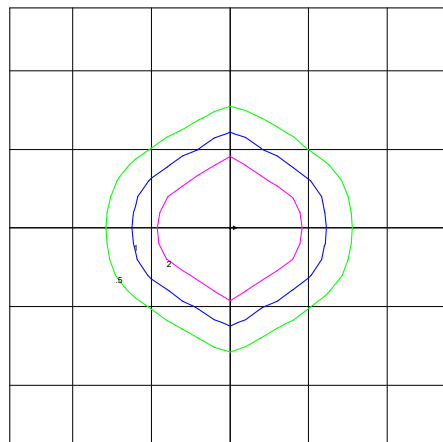
■ 0.5 fc ■ 1 fc ■ 2 fc ■ 5 fc

Factor = $\frac{(\text{Chart's Mtg Height})^2}{(\text{Actual Mtg Height})^2}$

PTSM53 20' MTG HT
SCALE: 1 INCH = 10 FT.



PTSM78 25' MTG HT
SCALE: 1 INCH = 20 FT.



PTSM143 30' MTG HT
SCALE: 1 INCH = 20 FT.

