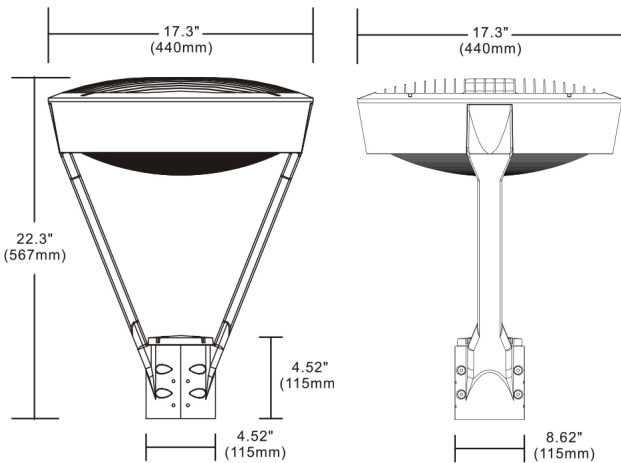


LED POST TOP SPIDER MOUNT
PTSM SERIES



PRODUCT DESCRIPTION:

Maxlite's Post Top Spider Mount offers a sleek stylish area fixture ideal for pathways and parks for general area lighting applications. It comes in 3 different outputs and offers photocell and motion sensor options.

FEATURES:

- Die cast aluminum housing with corrosion resistant powder coat paint finish
- 6,800-15,000 lumens
- Choice of 53/78/143W, 126-130 lm/W
- Available in 3000K, 4000K or 5000K
- 120V-277V, 50/60Hz
- UV stabilized vandal resistant polycarbonate lens
- Slip fitter mounting fits 2 3/8" tenon
- Passes ANSI 3G vibration test
- On/Off Motion sensor or 3pin NEMA twist lock photocell receptacle available as options
- cULus certified for WL

WARRANTY:

5-year standard warranty with labor allowance* (further details available at www.maxlite.com/warranties)
*Product may be eligible for a warranty extension to 10 years, for an additional fee. Contact MaxLite for details.

DESIGNLIGHTS CONSORTIUM:

Not all product variations listed on this page are DLC Standard/Premium qualified. Visit www.designlights.org/search to confirm qualification.

MODEL SELECTION

PTSM		U	T5		B	
FAMILY	WATTAGE (NOMINAL)	VOLTAGE	DISTRIBUTION	CCT	FINISH	OPTIONS
PTSM=Post Top Spider Mount	53=53W 78=78W 143=143W	U=120-277V	T5=Type V	30=3000K 40=4000K 50=5000K	B=Bronze Contact Maxlite for additional finishes	MS=Daylight/Motion Sensor (On/Off) RPC=NEMA 3pin receptacle (Photocell sold separately)

DLC QPL

MODEL NUMBER	PRODUCT ID	MODEL NUMBER	PRODUCT ID	MODEL NUMBER	PRODUCT ID
PSTM53UT5-30B	PLRIOP5HRCMW	PSTM143UT5-30B	PL1VVYAR1PDJ	PSTM143UT5-30B	PL1VVYAR1PDJ
PSTM53UT5-40B	PLI2R5E0B6CC	PSTM143UT5-40B	PLZ6I293C3MJ	PSTM143UT5-40B	PLZ6I293C3MJ
PSTM53UT5-50B	PLHUXFIESLAP	PSTM143UT5-50B	PL66XM2RO8ZJ	PSTM143UT5-50B	PL66XM2RO8ZJ

ACCESSORIES

MODEL # (ORDER CODE)	DESCRIPTION	ACCESSORY IMAGE
TR3BZ (101677)	Tennon Reducer, 3" to 2-3/8", Bronze	

SPECIFICATIONS

		PTSM53	PTSM78	PTSM143
ITEM	SPECIFICATION	DETAILS		
GENERAL PERFORMANCE	Power Consumption (W)	53.5W	78.4W	143W
	Lumens Delivered	6,830-6,990	9,550-9,840	15,480-15,950
	Efficacy (lm/W)	128-131 lm/W	122-125 lm/W	108-112 lm/W
	CRI	≥70		
	Color Temperature	3000K, 4000K, 5000K		
	Distribution	Type V		
	Lumen Maintenance (L70, TM-21 @ 25°C)	>50,000 Hrs		
ELECTRICAL	Voltage	120-277V		
PHYSICAL	Housing	Die Cast Aluminum with corrosion resistant powder coat finish		
	Mounting	2 3/8" OD slipfitter		
	Lens	UV stabilized vandal resistant polycarbonate		
	Operating temperature	-40°C to 40°C		
	Weight	TBA		
CERTIFICATION	Certifications	cULus (WL), ANSI 3G, RoHS		
QUALIFICATION	EPA	0.95		
	Warranty	5 Years		
	DesignLights Consortium	DLC Premium	DLC Premium	DLC Standard

ISOFOOTCANDLE:

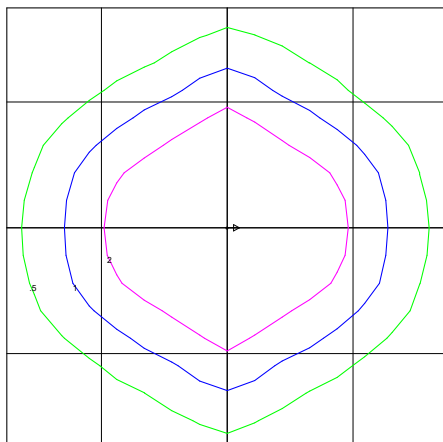
Each gridline represents one mounting height.
For mounting heights other than noted multiply FC by the below factor.

LEGEND

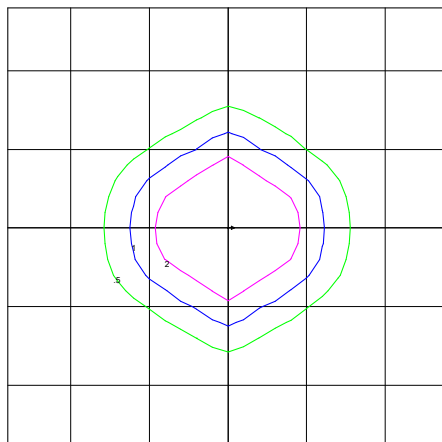
■ 0.5 fc ■ 1 fc ■ 2 fc ■ 5 fc

$$\text{Factor} = \frac{(\text{Chart's Mtg Height})^2}{(\text{Actual Mtg Height})^2}$$

PTSM53 20' MTG HT
SCALE: 1 INCH = 10 FT.



PTSM78 25' MTG HT
SCALE: 1 INCH = 20 FT.



PTSM143 30' MTG HT
SCALE: 1 INCH = 20 FT.

