

## SQUARE STEEL POLE STRAIGHT



### SPECIFICATIONS:

**Pole Shaft** – The pole shaft is fabricated from hot rolled steel tubing of one-piece construction with a minimum yield strength of 55,000 psi and conforms to ASTM-A500 Grade B.

**Pole Top** – A removable spring loaded polycarbonate pole cap is provided for poles receiving drilling patterns for side-mount luminaire arm assemblies. For top-mount luminaires, please refer to accessory list for mounting arm options.

**Handhole** – A reinforced handhole is provided at 18” from the base end of the pole assembly. Each handhole includes a cover and attachment hardware. All pole assemblies are provided with a 3.00” wide x 5.00” high rectangular handhole.

**Base Cover (sold separately)** – A two-piece square removable base cover fabricated from steel is provided with each pole assembly. It conforms to ASTM Grade B with a minimum yield strength of 55,000 psi, with powder coating.

**Anchor Bolts (sold separately)** – Conform to ASTM F1554 Grade 55 with a minimum yield strength of 55,000 psi. Each set comes with (4) anchor bolts, and each bolt comes with (2) hex nuts and (2) flat washers. Bolts have an “L” bend on one end and are galvanized a minimum of 12” on the threaded end.

**Grounding** – M6 threaded stud welded to inner shaft wall on the opposite side of the handhole. Flat washer and hex nut provided.

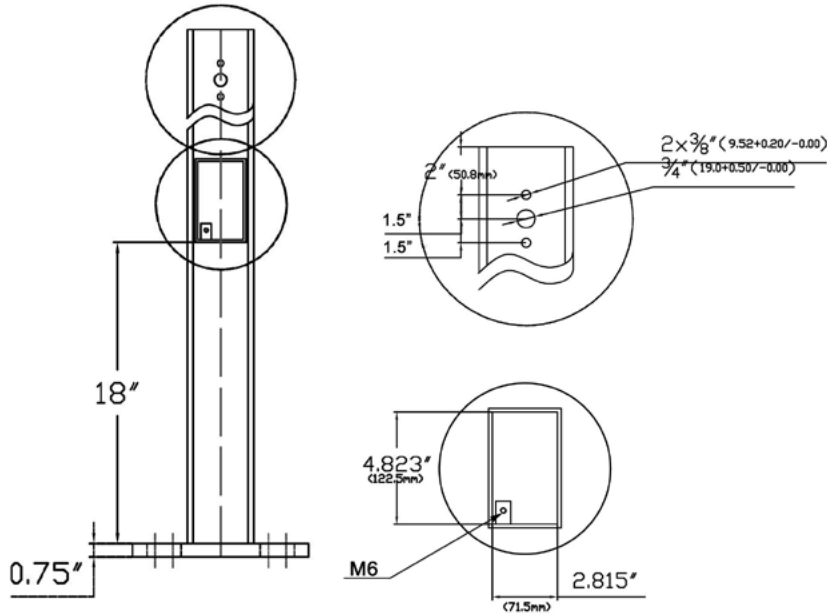
**Finish** – Each pole is primer painted and surface painted on sandblasted surface and baked at 400°F to ensure maximum paint adhesion, an extremely smooth and uniform finish, and durability to withstand extreme weather conditions without cracking or peeling with a five-year limited warranty. Additional inner coating available upon request, featuring five-year warranty. Consult factory for pricing and leadtimes.

| MODEL SELECTION |   | Typical order example: PL-SQ12S-B |   |          |   |                                   |
|-----------------|---|-----------------------------------|---|----------|---|-----------------------------------|
| PL              | - | SQ                                |   | S        | - |                                   |
| FAMILY          | - | SUB-FAMILY                        | SIZE  | MATERIAL | - | COLOR                             |
| PL= Pole        | - | SQ= Square                        | 12= 12 ft<br>20= 20 ft<br>25= 25 ft<br>*30= 30 ft | S= Steel | - | B= Bronze<br>W= White<br>L= Black |

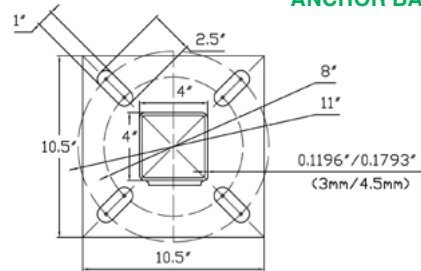
\*30 ft in black & white are Made-to-order.  
Please contact your MaxLite representative for quantities and lead times.

**DIMENSIONS:**

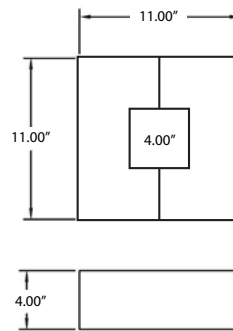
**4"x4"**



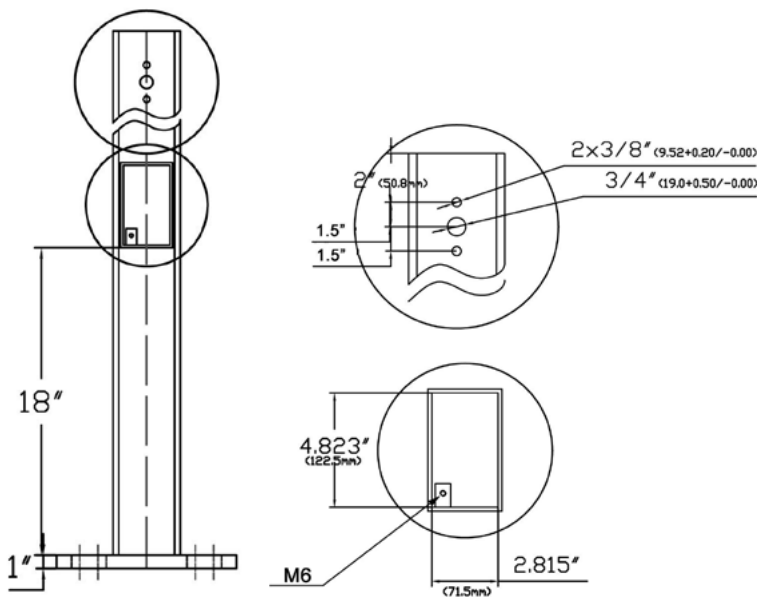
**ANCHOR BASE DETAIL**



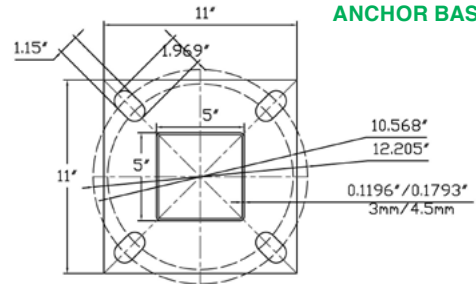
**BASE COVER, STANDARD  
(SOLD SEPARATELY)**



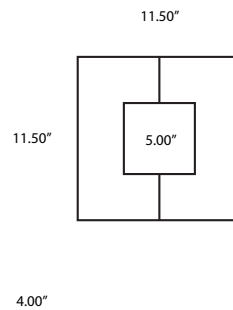
**5"x5"**



**ANCHOR BASE DETAIL**



**BASE COVER, STANDARD  
(SOLD SEPARATELY)**



## ANCHORAGE DATA:

| POLE                          |                     | BASE PLATE & COVER<br>(SOLD SEPARATELY) |                            |                           | ANCHOR BOLTS<br>(SOLD SEPARATELY) |                     |             |                                |
|-------------------------------|---------------------|---|----------------------------|---------------------------|-----------------------------------|---------------------|-------------|--------------------------------|
| SHAFT OUTSIDE DIMENSIONS (IN) | WALL THICKNESS (GA) | BASE PLATE DIMENSIONS (IN)              | BASE COVER DIMENSIONS (IN) | BOLT CIRCLE DIAMETER (IN) | SHAFT OUTSIDE DIMENSIONS (IN)     | WALL THICKNESS (GA) | POLE HEIGHT | ANCHOR BOLTS (SOLD SEPARATELY) |
| 4" X 4"                       | 11                  | 10.5" SQ. X 0.75" THK.                  | 11" SQ. X 4" THK.          | 8"~11"                    | 4" X 4"                           | 11GA                | 12FT        | 3/4" X 17"                     |
|                               |                     |   |                            |                           | 4" X 4"                           | 11GA                | 20FT        | 3/4" X 30"                     |
|                               |                     |   |                            |                           | 4" X 4"                           | 11GA                | 25FT        | 3/4" X 30"                     |
| 5" X 5"                       | 7                   | 11.0" SQ. X 1.00" THK.                  | 11.5" SQ. X 4" THK.        | 11"~12"                   | 5" X 5"                           | 7GA                 | 30FT        | 1" X 36"                       |

## ANCHOR BOLTS:

| COMPATIBILITY         | ITEM NUMBER | DESCRIPTION   |
|-----------------------|-------------|---|
| 4" X 4", 12 FT HEIGHT | PL-JB17     | J-BOLT, 3/4"X17"X3", INCLUDING 2PCS OF WASHERS, NUTS & SPRING WASHERS, 4PCS AS A SET, COMPATIBLE WITH 12 FT POLES           |
| 4" X 4", 20 FT HEIGHT | PL-JB30     | J-BOLT, 3/4"X30"X4", INCLUDING 2PCS OF WASHERS, NUTS & SPRING WASHERS, 4PCS AS A SET, COMPATIBLE WITH 20 FT AND 25 FT POLES |
| 4" X 4", 25 FT HEIGHT | PL-JB36     | J-BOLT, 3/4"X30"X4", INCLUDING 2PCS OF WASHERS, NUTS & SPRING WASHERS, 4PCS AS A SET, COMPATIBLE WITH 20 FT AND 25 FT POLES |
| 5" X 5", 30FT HEIGHT  | PL-JB36     | J-BOLT, 1"X36"X4", INCLUDING 2PCS OF WASHERS, NUTS & SPRING WASHERS, 4PCS AS A SET, COMPATIBLE WITH 30 FT POLES             |

## BASE PLATE COVER:

| COMPATIBILITY       | FINISH               | ITEM NUMBER | DESCRIPTION   |
|---------------------|----------------------|-------------|---|
| 4" X 4" SQUARE POLE | BRONZE, BLACK, WHITE | PL-SQBP4-X  | BASE PLATE COVER FOR 4" X 4" SQUARE POLES, 2 PC SET |
| 5" X 5" SQUARE POLE | BRONZE, BLACK, WHITE | PL-SQBP5-X  | BASE PLATE COVER FOR 5" X 5" SQUARE POLES, 2 PC SET |

NOTES: X=Color; B=Bronze, L=Black, W=White

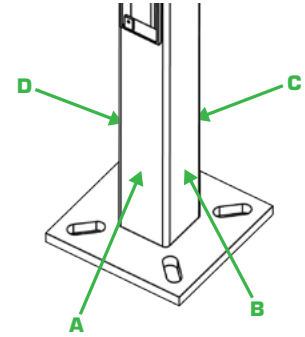
## POLE SELECTION CHART:

| POLE HEIGHT | 70 MPH               |                              | 80 MPH               |                              | 90 MPH               |                              | 100 MPH              |                              | 110 MPH              |                              |
|-------------|----------------------|------------------------------|----------------------|------------------------------|----------------------|------------------------------|----------------------|------------------------------|----------------------|------------------------------|
|             | EPA (AT POLE TOP)    | MAX. LOAD (INCLUDES BRACKET) | EPA (AT POLE TOP)    | MAX. LOAD (INCLUDES BRACKET) | EPA (AT POLE TOP)    | MAX. LOAD (INCLUDES BRACKET) | EPA (AT POLE TOP)    | MAX. LOAD (INCLUDES BRACKET) | EPA (AT POLE TOP)    | MAX. LOAD (INCLUDES BRACKET) |
| 12 FT       | 26.1 FT <sup>2</sup> | 750 LBS                      | 24.4 FT <sup>2</sup> | 610 LBS                      | 18.8 FT <sup>2</sup> | 470 LBS                      | 14.8 FT <sup>2</sup> | 370 LBS                      | 11.2 FT <sup>2</sup> | 280 LBS                      |
| 20 FT       | 11.9 FT <sup>2</sup> | 275 LBS                      | 9.6 FT <sup>2</sup>  | 240 LBS                      | 6.7 FT <sup>2</sup>  | 167 LBS                      | 4.5 FT <sup>2</sup>  | 150 LBS                      | 3.1 FT <sup>2</sup>  | 126 LBS                      |
| 25 FT       | 6.3 FT <sup>2</sup>  | 201 LBS                      | 4.8 FT <sup>2</sup>  | 150 LBS                      | 2.6 FT <sup>2</sup>  | 100 LBS                      | 1.0 FT <sup>2</sup>  | 50 LBS                       | 0.6 FT <sup>2</sup>  | 24 LBS                       |
| 30 FT       | 12.9 FT <sup>2</sup> | 292 LBS                      | 10.7 FT <sup>2</sup> | 267 LBS                      | 6.7 FT <sup>2</sup>  | 167 LBS                      | 3.9 FT <sup>2</sup>  | 100 LBS                      | 1.7 FT <sup>2</sup>  | 75 LBS                       |

NOTES: EPAs are calculated using base wind velocity as indicated plus 30% gust factor

**SHIPPING WEIGHT TABLE:**

| POLE TYPE     | APPROX. WEIGHT/FT |
|---------------|-------------------|
| 4" sq. - 11ga | 7.55 lbs/ft       |
| 5" sq. - 7ga  | 13.50 lbs/ft      |

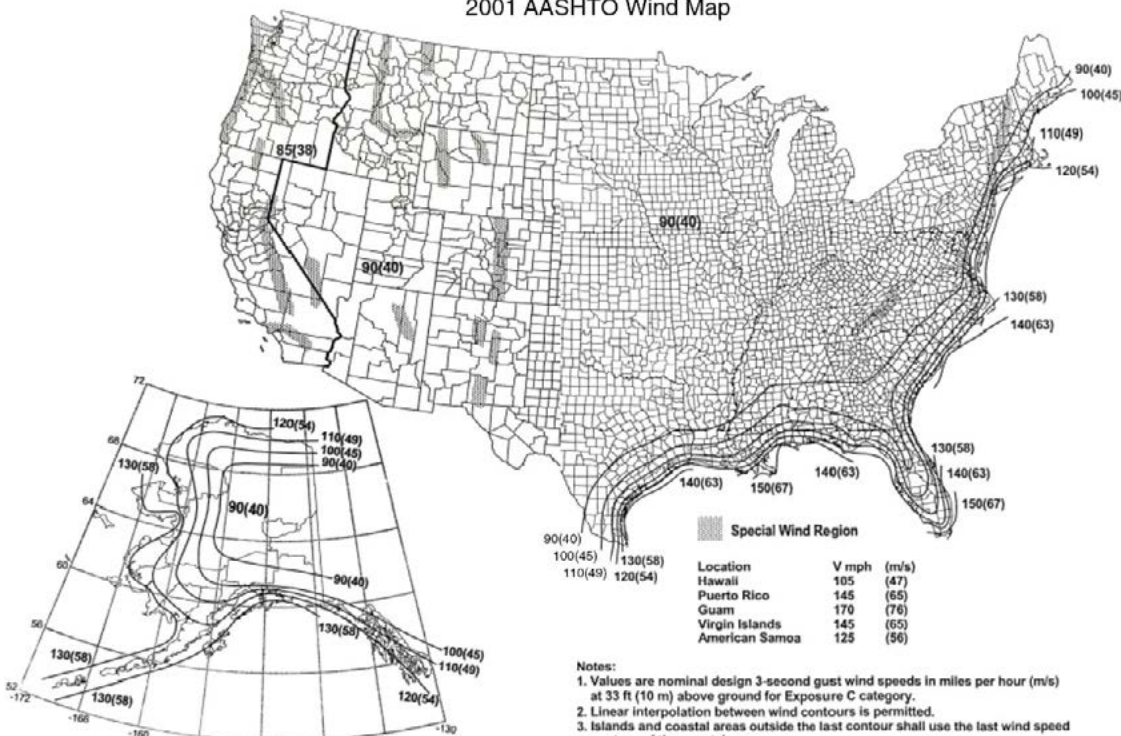


**DETAILING LOCATIONS:**

| DRILLING LOCATION   | A-SIDE | B-SIDE | C-SIDE | D-SIDE |
|---|--------|--------|--------|--------|
| HANDHOLE  | X      |        |        |        |
| D1 – (1) DRILLING LOCATION                                |        |        |        | X      |
| D2.180 – (2) DRILLING LOCATIONS ON OPPOSITE SIDE          |        | X      |        | X      |
| D2.90 – (2) DRILLING LOCATIONS PERPENDICULAR/SIDE-BY-SIDE |        | X      | X      |        |
| D3 – (3) DRILLING LOCATIONS                               |        | X      | X      | X      |
| D4 – (4) DRILLING LOCATIONS                               | X      | X      | X      | X      |

**WIND SPEED MAP:**

2001 AASHTO Wind Map



**NOTE:**  
This map is based on the 2001 AASHTO code requirements and is intended as a general guideline only. Local engineering standards should be consulted to determine the exact wind loading conditions for your applications.

- Notes:
1. Values are nominal design 3-second gust wind speeds in miles per hour (m/s) at 33 ft (10 m) above ground for Exposure C category.
  2. Linear interpolation between wind contours is permitted.
  3. Islands and coastal areas outside the last contour shall use the last wind speed contour of the coastal area.
  4. Mountainous terrain, gorges, ocean promontories, and special wind regions shall be examined for unusual wind conditions.




**ROUND STEEL POLE KITS**

| MODEL          | ORDER CODE | DESCRIPTION   |
|----------------|------------|---|
| PL-SQ12S-B-KIT | 1408234    | KIT:Square Steel Pole, 12ft, 11ga, 4" OD, Bronze;BASE PLATE COVER, BRONZE;AND3/4"X17"X3" ANCHOR BOLTS, INCLUDING WASHERS, NUTS & SPRING WASHERS |
| PL-SQ12S-L-KIT | 1408235    | KIT:Square Steel Pole, 12ft, 11ga, 4" OD, Black;BASE PLATE COVER, BLACK;AND3/4"X17"X3" ANCHOR BOLTS, INCLUDING WASHERS, NUTS & SPRING WASHERS   |
| PL-SQ12S-W-KIT | 1408236    | KIT:Square Steel Pole, 12ft, 11ga, 4" OD, White;BASE PLATE COVER, WHITE;AND3/4"X17"X3" ANCHOR BOLTS, INCLUDING WASHERS, NUTS & SPRING WASHERS   |
| PL-SQ20S-B-KIT | 1408237    | KIT:Square Steel Pole, 20ft, 11ga, 4" OD, Bronze;BASE PLATE COVER, BRONZE;AND3/4"X30"X4" ANCHOR BOLTS, INCLUDING WASHERS, NUTS & SPRING WASHERS |
| PL-SQ20S-L-KIT | 1408238    | KIT:Square Steel Pole, 20ft, 11ga, 4" OD, Black;BASE PLATE COVER, BLACK;AND3/4"X30"X4" ANCHOR BOLTS, INCLUDING WASHERS, NUTS & SPRING WASHERS   |
| PL-SQ20S-W-KIT | 1408239    | KIT:Square Steel Pole, 20ft, 11ga, 4" OD, White;BASE PLATE COVER, WHITE;AND3/4"X30"X4" ANCHOR BOLTS, INCLUDING WASHERS, NUTS & SPRING WASHERS   |
| PL-SQ25S-B-KIT | 1408240    | KIT:Square Steel Pole, 25ft, 11ga, 4" OD, Bronze;BASE PLATE COVER, BRONZE;AND3/4"X30"X4" ANCHOR BOLTS, INCLUDING WASHERS, NUTS & SPRING WASHERS |
| PL-SQ25S-L-KIT | 1408241    | KIT:Square Steel Pole, 25ft, 11ga, 4" OD, Black;BASE PLATE COVER, BLACK;AND3/4"X30"X4" ANCHOR BOLTS, INCLUDING WASHERS, NUTS & SPRING WASHERS   |
| PL-SQ25S-W-KIT | 1408242    | KIT:Square Steel Pole, 25ft, 11ga, 4" OD, White;BASE PLATE COVER, WHITE;AND3/4"X30"X4" ANCHOR BOLTS, INCLUDING WASHERS, NUTS & SPRING WASHERS   |



**POLES: ADAPTERS COMPATIBLE WITH 4" SQUARE POLES**

| IMAGE   | ITEM #     | ORDER CODE | DESCRIPTION                                       |
|---|------------|------------|---|
| <b>HORIZONTAL:</b>  |            |            |   |
|    | S4HT218BZ  | 72083      | 4" SQUARE HORIZONTAL TENON 2@180° BRONZE          |
| <b>HORIZONTAL:</b>  |            |            |   |
|    | S4HT290BZ  | 72084      | 4" SQUARE HORIZONTAL TENON 2@90° BRONZE           |
| <b>HORIZONTAL:</b>  |            |            |   |
|   | S4HT390BZ  | 72085      | 4" SQUARE HORIZONTAL TENON 3@90° BRONZE           |
| <b>HORIZONTAL:</b>  |            |            |   |
|  | S4HT490BZ  | 72117      | 4" SQUARE HORIZONTAL TENON 4@90° BRONZE           |
| <b>VERTICAL:</b>  |            |            |   |
|  | S4VT1S00BZ | 72086      | 4" SQUARE VERTICAL TENON SINGLE BRONZE            |
| <b>VERTICAL:</b>  |            |            |   |
|  | TR3BZ      | 101677     | TENNON REDUCER, 3" TO 2-3/8"<br>HARDWARE INCLUDED |

**POLES: ADAPTERS COMPATIBLE WITH 4" SQUARE POLES (CONTINUED)**

| IMAGE  | ITEM #     | ORDER CODE | DESCRIPTION                            |
|--|------------|------------|--|
| <b>VERTICAL:</b>   |            |            |  |
|   | S4VT2S18BZ | 72087      | 4" SQUARE VERTICAL TENON 2@180° BRONZE |
| <b>VERTICAL:</b>   |            |            |  |
|   | S4VT3S18BZ | 72088      | 4" SQUARE VERTICAL TENON 3@180° BRONZE |
| <b>VERTICAL:</b>   |            |            |  |
|  | S4VT4S90BZ | 72090      | 4" SQUARE VERTICAL TENON 4@90° BRONZE  |

**POLES: ADAPTERS COMPATIBLE WITH 5" SQUARE POLES**

| IMAGE   | ITEM #     | ORDER CODE | DESCRIPTION                              |
|---|------------|------------|--|
| <b>VERTICAL:</b>  |            |            |  |
|  | S5VT1S00BZ | 107144     | 5" SQUARE VERTICAL TENON SINGLE BRONZE   |
| <b>HORIZONTAL:</b>  |            |            |  |
|  | S5HT218BZ  | 73065      | 5" SQUARE HORIZONTAL TENON 2@180° BRONZE |

**POLES: ADAPTERS COMPATIBLE WITH 5" SQUARE POLES (CONTINUED)**

| IMAGE  | ITEM #     | ORDER CODE | DESCRIPTION                             |
|--|------------|------------|---|
| <b>HORIZONTAL:</b>   |            |            |   |
|   | S5HT290BZ  | 73066      | 5" SQUARE HORIZONTAL TENON 2@90° BRONZE |
| <b>HORIZONTAL:</b>   |            |            |   |
|   | S5HT390BZ  | 73067      | 5" SQUARE HORIZONTAL TENON 3@90° BRONZE |
| <b>HORIZONTAL:</b>   |            |            |   |
|  | S5HT490BZ  | 73068      | 5" SQUARE HORIZONTAL TENON 4@90° BRONZE |
| <b>VERTICAL:</b>   |            |            |   |
|  | S5VT2S18BZ | 107145     | 5" SQUARE VERTICAL TENON 2@180° BRONZE  |
| <b>VERTICAL:</b>   |            |            |   |
|  | S5VT3S18BZ | 107146     | 5" SQUARE VERTICAL TENON 3@180° BRONZE  |
| <b>VERTICAL:</b>   |            |            |   |
|   | S5VT4S90BZ | 107147     | 5" SQUARE VERTICAL TENON 4@90° BRONZE   |